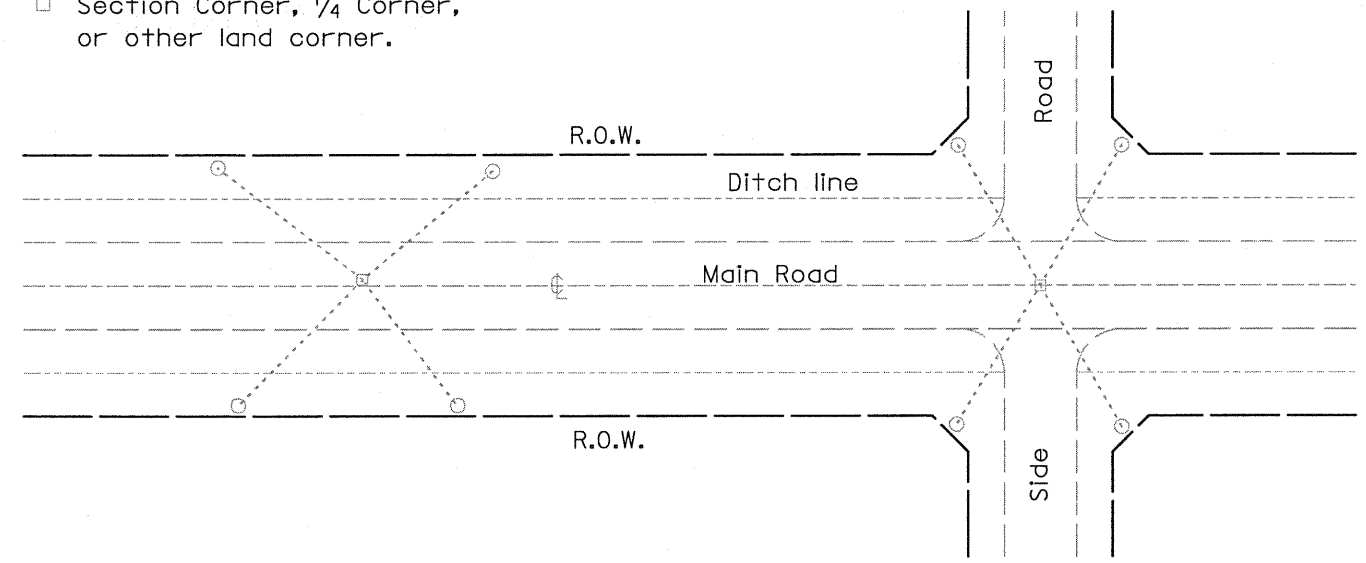


F.A.P. RTE.	SECTION	COUNTY	TOTAL SHEETS	SHEET NO.
693	(119 BR-2)BR	TAZEWELL	65	65
STA.		TO STA.		
FED. ROAD DIST. NO. 4		ILLINOIS FED. AID PROJECT		

PERMANENT SURVEY TIES

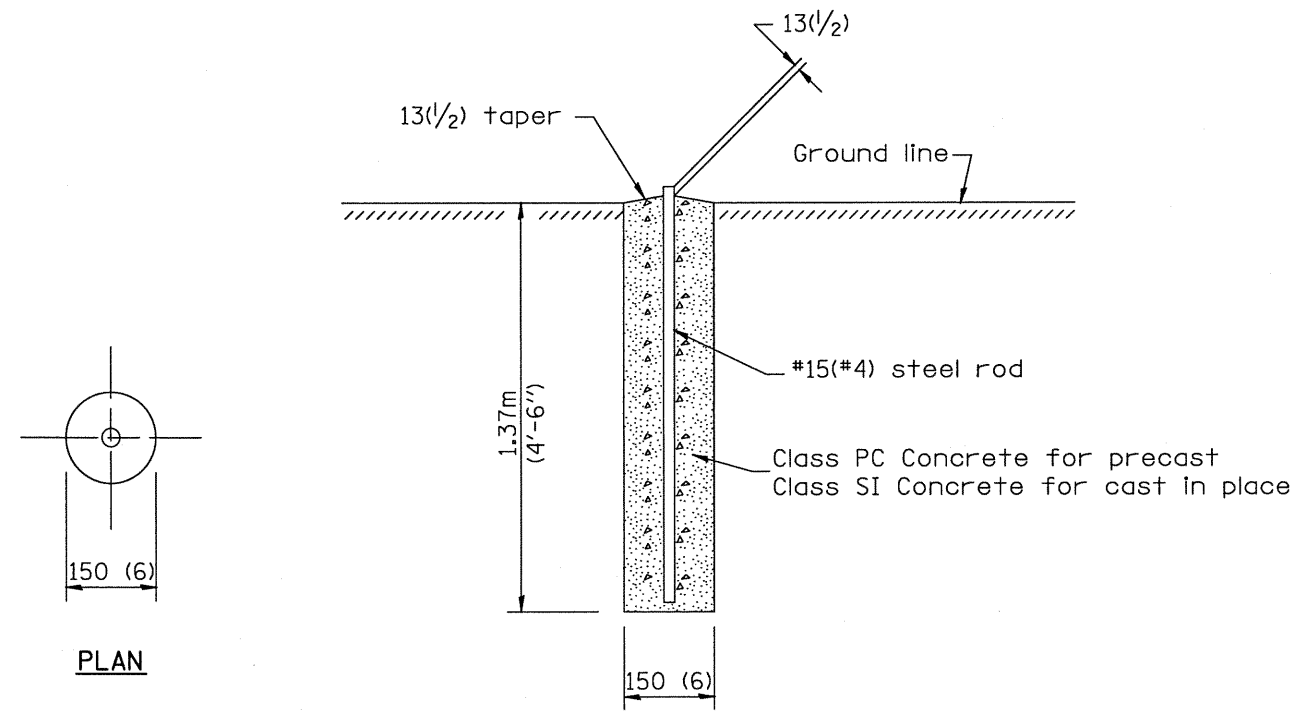
- Permanent Survey Tie
- Section Corner, 1/4 Corner, or other land corner.



TYPICAL APPLICATION

GENERAL NOTES

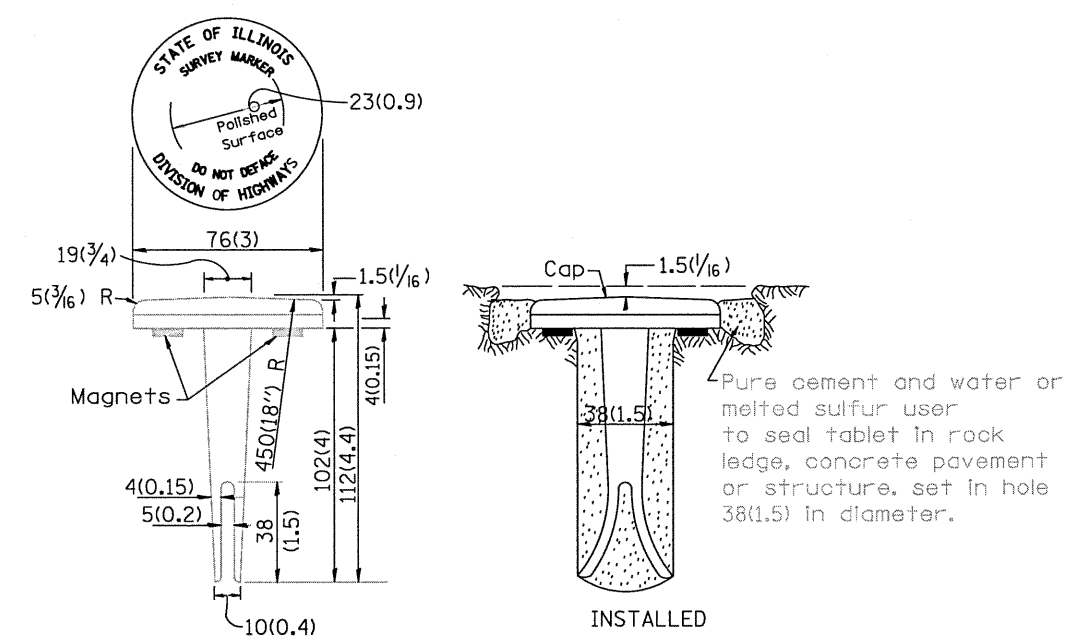
1. The marker may be either precast of Class PC Concrete, or cast in place of Class SI Concrete.
2. Tie marker shall be installed after the final seeding has been completed unless otherwise specified by the Engineer.
3. The tie distances shall be measured and given to the IDOT Chief of Surveys.
4. Marker measurement shall be done by PLS.



SECTION

PLAN

PERMANENT SURVEY MARKERS

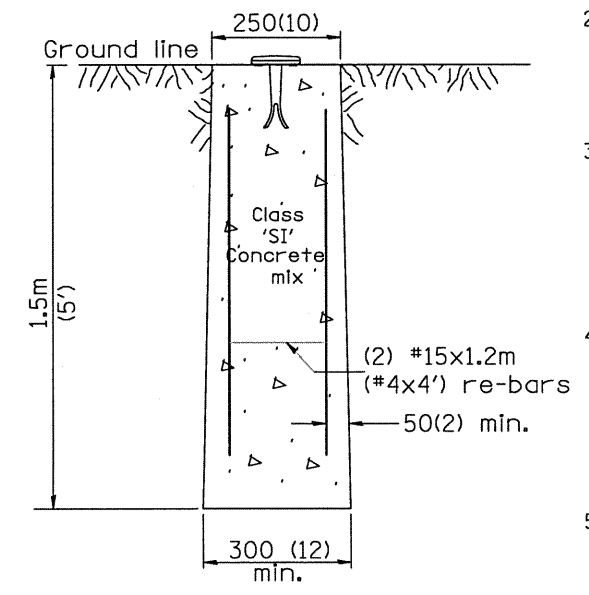


BRONZE TABLET - No Scale TYPE I

Pure cement and water or melted sulfur user to seal tablet in rock ledge, concrete pavement or structure. set in hole 38(1.5) in diameter.

GENERAL NOTES

1. All type II markers shall be cast in place, and precast markers will not be allowed.
2. Two permanent magnets, each having a diameter of 19 (3/4) and a thickness of 6 (1/4), or equivalent, shall be attached to the underside of the tablet with an approved epoxy bonding agent.
3. The location of the markers shall be in accordance with the plans in general, the markers will be placed at the P.T.'s and P.C.'s of horizontal curves and spaces along the tangents in a way that a minimum of two markers are always inter-visible, and not to exceed 300m(1000').
4. The markers shall be placed under the direction of the Engineer and shall be installed in a workmanlike manner in order that there will be no further settlement or horizontal shifting. The monuments shall be placed in a way that the survey point will fall within the portion of the plaque provided for that purpose.
5. The project designation, the centerline station, the survey point, and the elevation shall be permanently marked by the use of metal dies after marker has been installed.



MARKER CAST IN PLACE TYPE II

All dimensions are in millimeters (inches) unless otherwise noted.

ILLINOIS DEPARTMENT OF TRANSPORTATION	
DISTRICT CADD STANDARD	
PERMANENT SURVEY TIE & PERMANENT SURVEY MARKERS TY.I - TY.II	
CADD STD. NO. 667101-D4	
SCALE: NOT DRAWN TO SCALE	DRAWN BY CADD
DATE **DATE**	CHECKED BY

DATE	REVISIONS	BY
1-1-97	RENUM. D-3.01, NEW REVISION BOX	T.P.
7-7-98	ADD DESIGNER NOTE, REVISED TITLE BOX	J.A.
	ADD DESIGNER NOTE	

DESIGNER NOTE:
 1. ADD DISTRICT SPECIAL PROVISION.
 2. MODIFIES STATE STD 667101 TO CALL FOR "BRONZE" TABLET.
 DATE