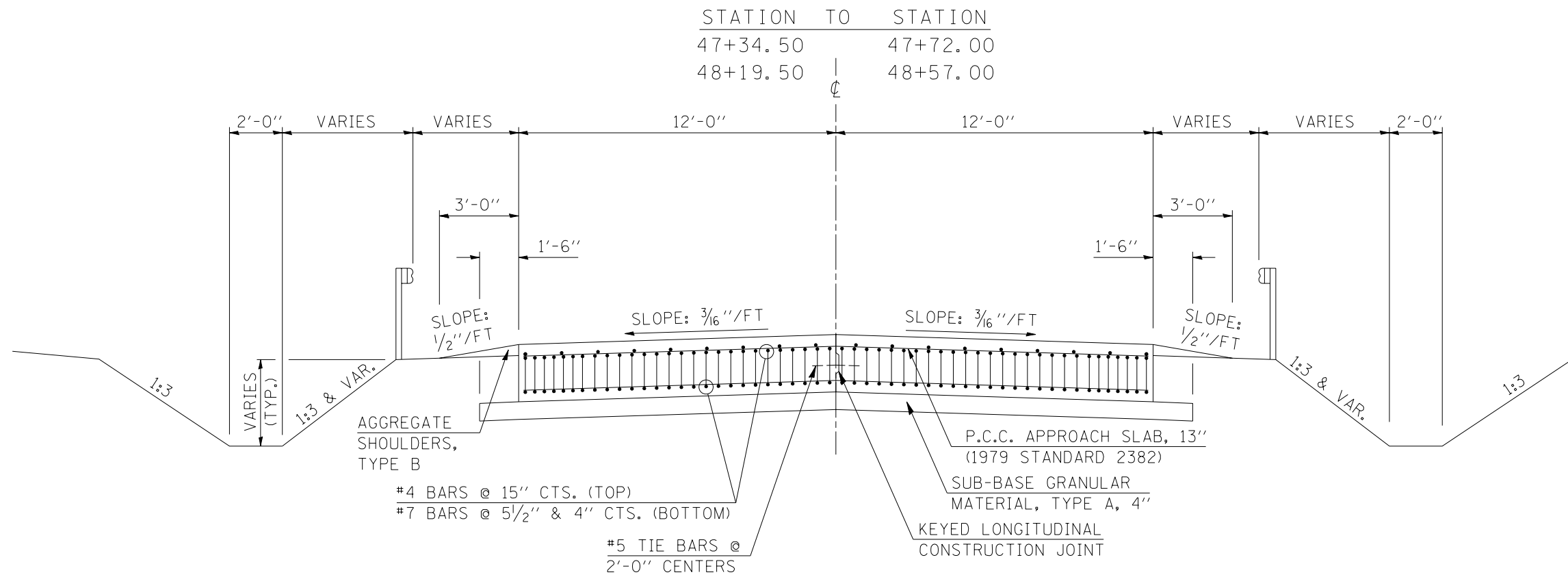


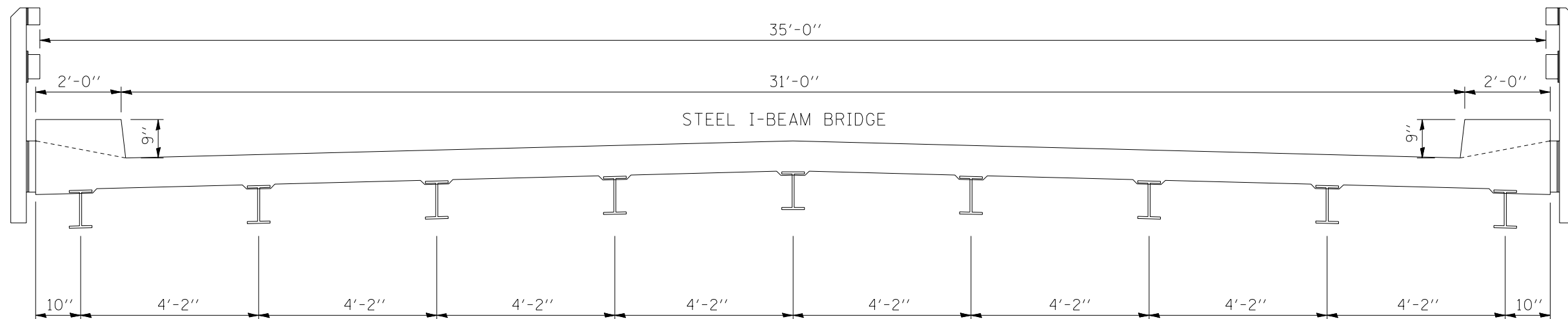
EXISTING BRIDGE APPROACH SLAB SECTION



EXISTING STRUCTURE TYPICAL SECTION

S. N. 092-0070

STATION TO STATION
47+72.00 48+19.94



FILE NAME =	USER NAME = blockrt	DESIGNED - RTB	REVISED -
ct:\pw\work\p\midot\blockrt\d0128383\typical.dgn		DRAWN - JRP	REVISED -
		CHECKED -	REVISED -
		DATE - 06/2008	REVISED -

**STATE OF ILLINOIS
DEPARTMENT OF TRANSPORTATION**

**EXISTING BRIDGE APPROACH SLAB SECTION
AND EXISTING STRUCTURE TYPICAL SECTION**

NOT TO SCALE SHEET NO. OF SHEETS

F.A.S. RTE.	SECTION	COUNTY	TOTAL SHEETS	SHEET NO.
331	Z-BR	VERMILION	49	7
FED. ROAD DIST. NO. ILLINOIS FED. AID PROJECT			CONTRACT NO. 70016	