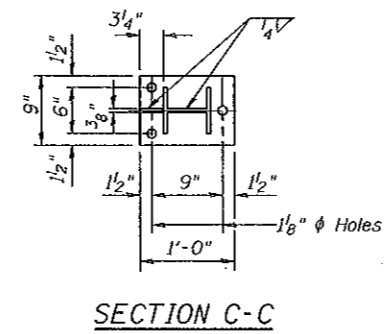
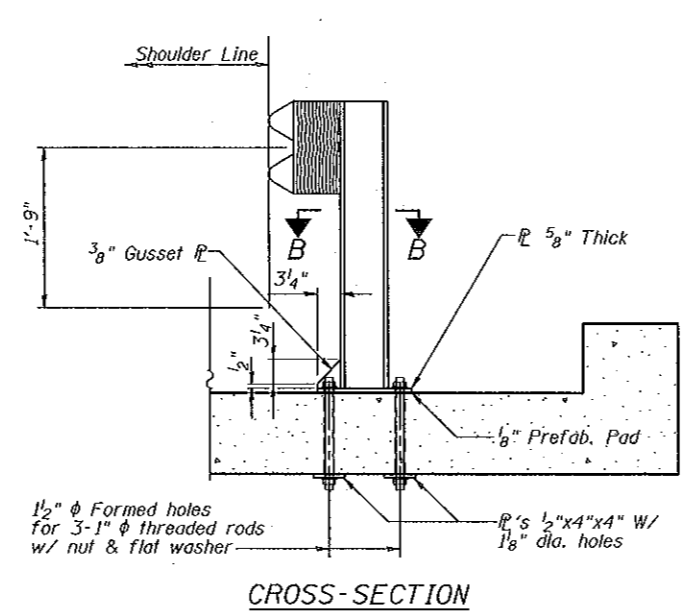
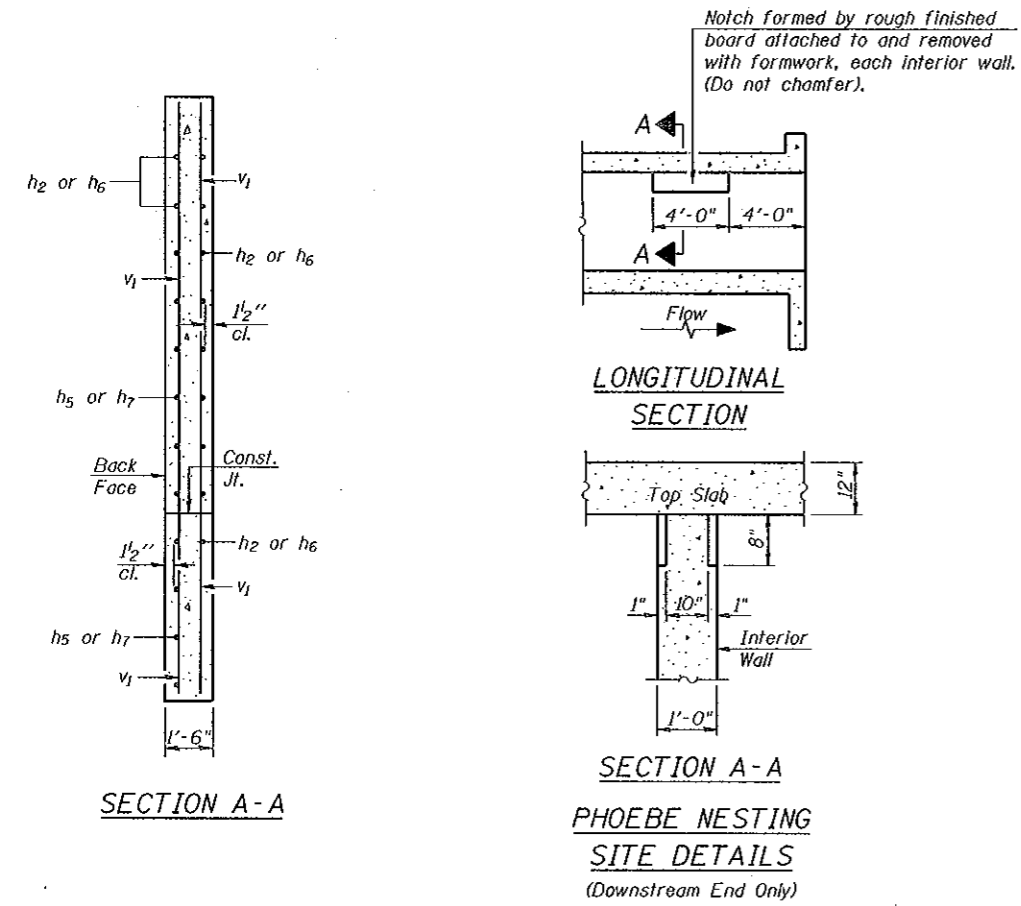


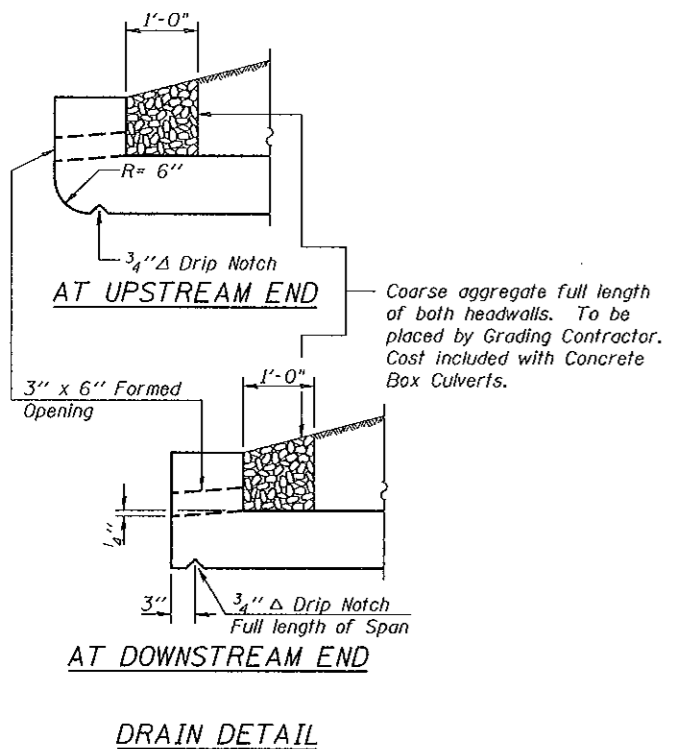
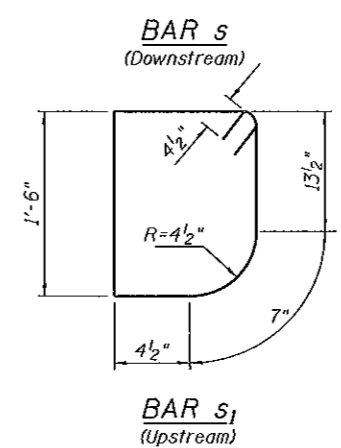
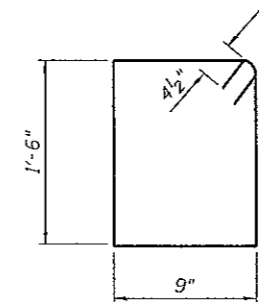
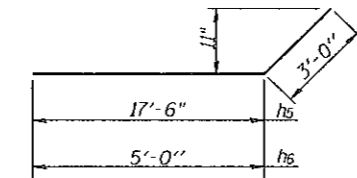
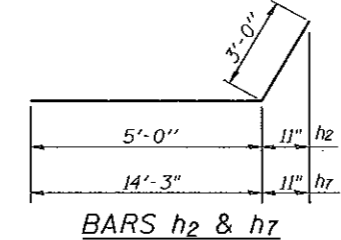
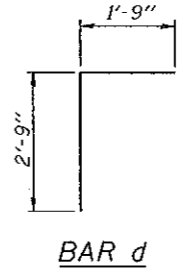
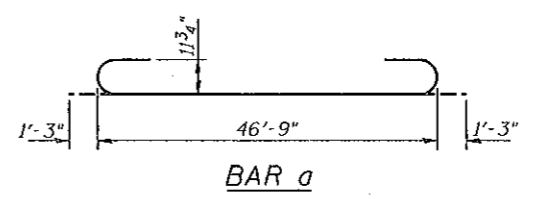
Contract #70016

BILL OF MATERIAL

Bar	No.	Size	Length	Shape
a	190	#9	49'-3"	
a1	190	#10	22'-6"	
a2	96	#4	15'-6"	
d	50	#4	4'-6"	
h	82	#8	41'-2"	
h1	252	#5	40'-0"	
h2	36	#8	8'-0"	
h3	10	#8	46'-5"	
h4	12	#6	46'-5"	
h5	40	#9	20'-6"	
h6	36	#9	8'-0"	
h7	28	#8	17'-3"	
s	47	#4	5'-3"	
s1	47	#4	5'-1"	
v	198	#6	12'-4"	
v1	16	#4	16'-4"	
v2	78	#5	11'-4"	
v3	198	#5	12'-4"	
v4	198	#5	3'-8"	
v5	198	#6	3'-5"	
Concrete Box Culverts			Cu. Yd.	322.9
Reinforcement Bars			Pound	86,640



STEEL PLATE BEAM GUARDRAIL DETAILS
For details of guardrail elements not shown, see Standard 630001.



SECTIONS AND DETAILS

CH 10 / EAST LYNN ROAD OVER
TRIBUTARY TO FOUNTAIN CREEK
F.A.S. ROUTE 331 - SECTION Z-BR
VERMILION COUNTY
STATION 47+96.00
STRUCTURE NO. 092-2039

CHAMPAIGN, ILLINOIS
CHICAGO, ILLINOIS
EVANSVILLE, INDIANA
INDIANAPOLIS, INDIANA
KENOSHA, WISCONSIN
SPRING GREEN, WISCONSIN



REVISIONS	
NAME	DATE

NOTE: DIMENSIONAL DATA IS NOT TO BE OBTAINED BY SCALING ANY PORTION OF THIS DRAWING.

DESIGNED BY: S.M.M. PROJECT NO: 102313
 DRAWN BY: M.E.W. DATE: 8/05
 CHECKED BY: M.M.
 APPROVED BY: XXX
 ACTIVITY: INITIALS

DRAWING NUMBER
S-3