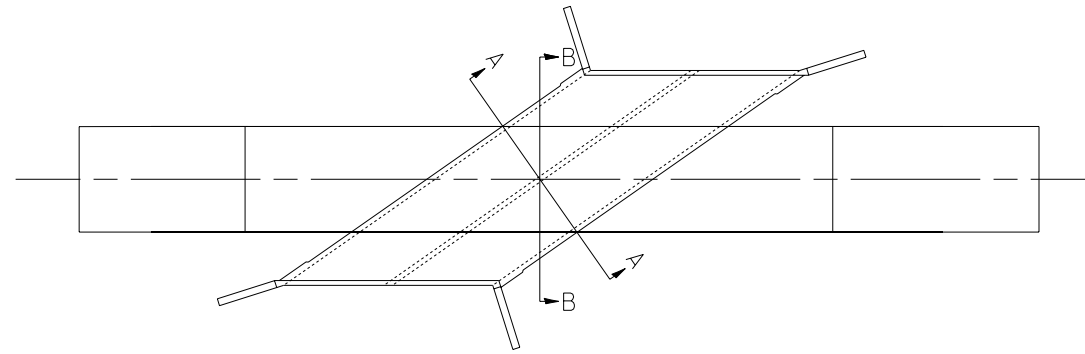
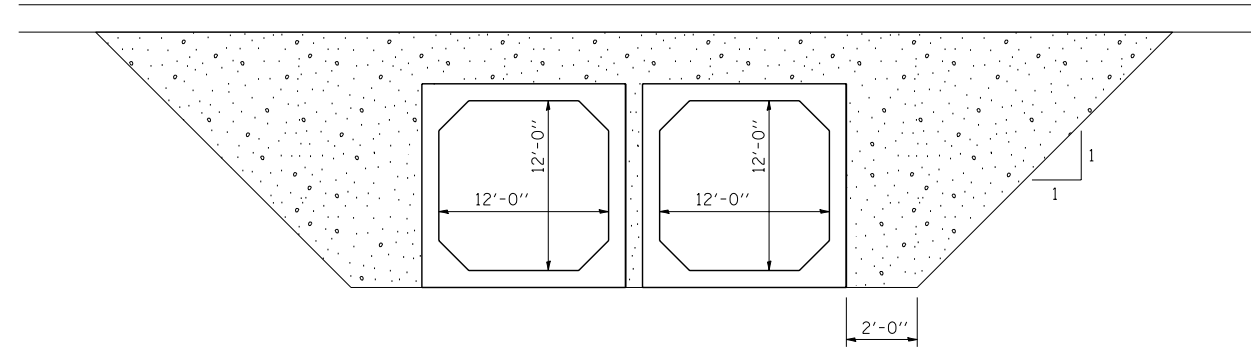


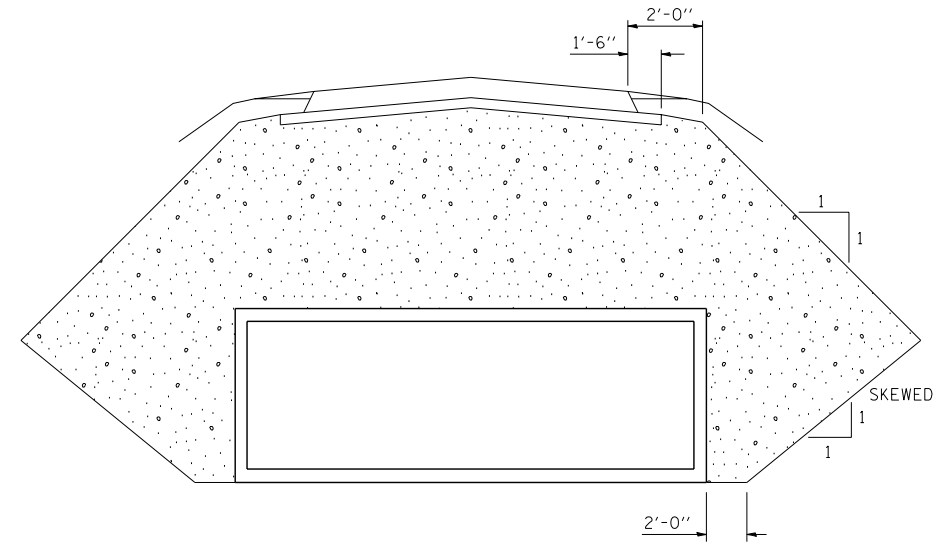
# DETAIL OF POROUS GRANULAR EMBANKMENT PAY LIMITS



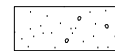
PLAN VIEW



SECTION A-A



SECTION B-B



PAY LIMITS OF POROUS GRANULAR EMBANKMENT

FILE NAME =	USER NAME = blockrt	DESIGNED - RTB	REVISED -
ct:\pw\work\pwidot\blockrt\d0128383\p8p20.dgn		DRAWN - JRP	REVISED -
	PLOT SCALE = 40.0000' / IN.	CHECKED -	REVISED -
	PLOT DATE = 8/18/2010	DATE - 07/2008	REVISED -

**STATE OF ILLINOIS  
DEPARTMENT OF TRANSPORTATION**

**DETAIL OF POROUS GRANULAR EMBANKMENT  
PAY LIMITS**

SCALE: N/A      SHEET NO.      OF      SHEETS      STA.      TO      STA.

F.A.S. RTE.	SECTION	COUNTY	TOTAL SHEETS	SHEET NO.
331	Z-BR	VERMILION	49	26
FED. ROAD DIST. NO.			ILLINOIS FED. AID PROJECT	
			CONTRACT NO. 70016	