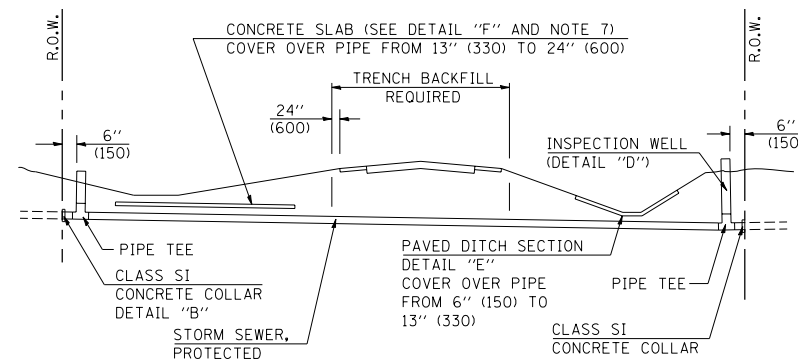


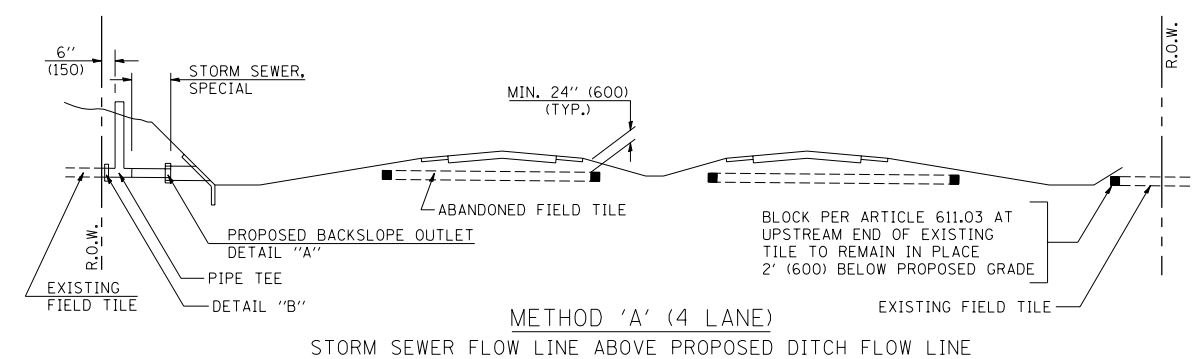
METHOD 'A' (2 LANE)

STORM SEWER FLOW LINE ABOVE PROPOSED DITCH FLOW LINE



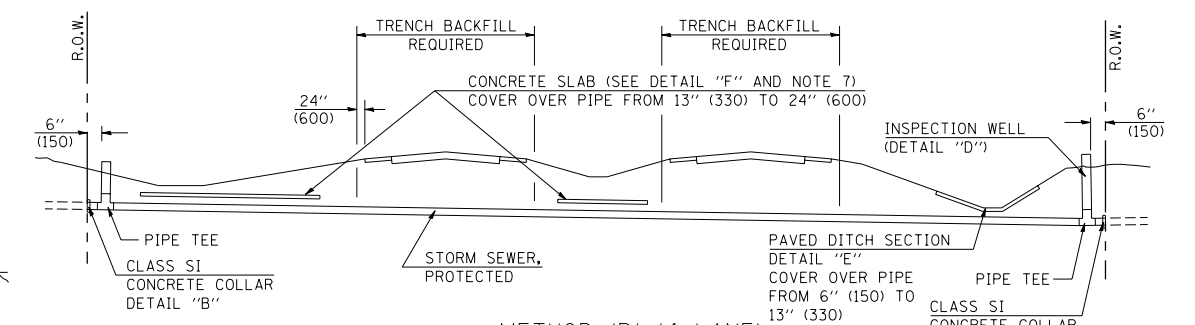
METHOD 'B' (2 LANE)

STORM SEWER LESS THAN 2' (600 mm) BELOW DITCH FLOW LINE AND STORM SEWERS CROSSING UNDER PAVEMENT AND PAVED DITCH



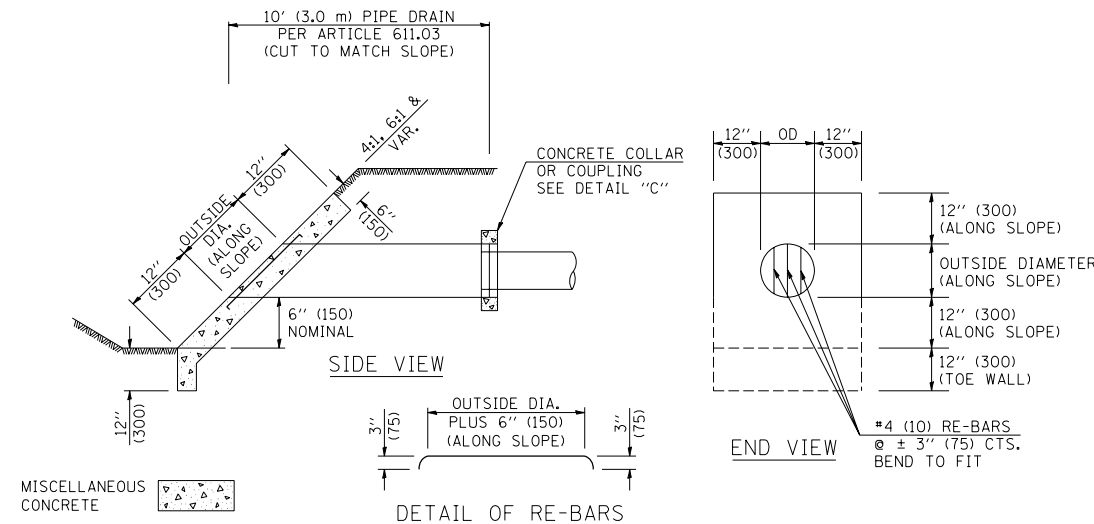
METHOD 'A' (4 LANE)

STORM SEWER FLOW LINE ABOVE PROPOSED DITCH FLOW LINE

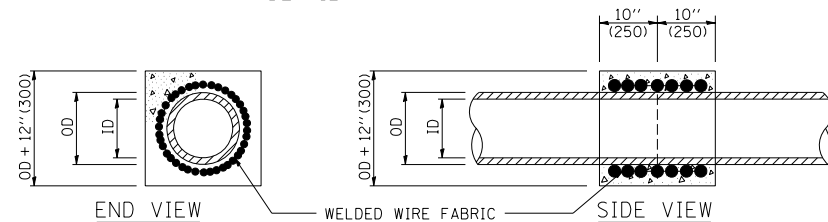


METHOD 'B' (4 LANE)

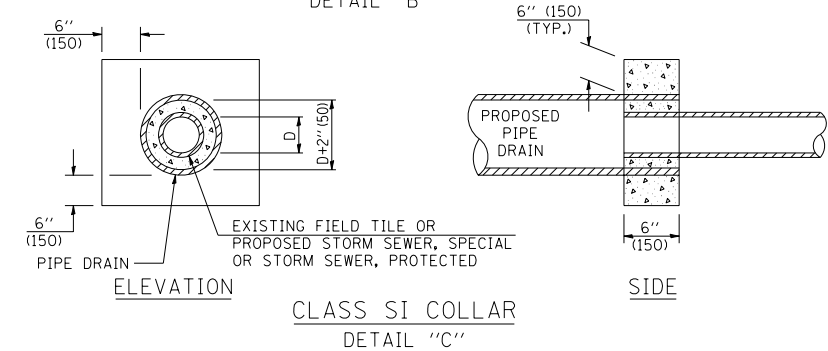
STORM SEWER LESS THAN 2' (600 mm) BELOW DITCH FLOW LINE AND STORM SEWERS CROSSING UNDER PAVEMENTS AND PAVED DITCHES



HEADWALL FOR BACKSLOPE OUTLET  
DETAIL "A"



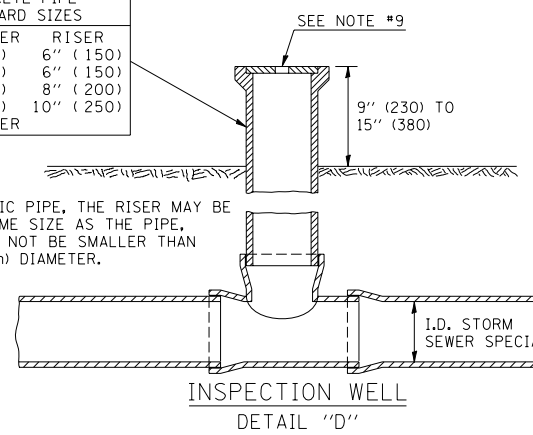
CONCRETE COLLAR  
DETAIL "B"



CLASS SI COLLAR  
DETAIL "C"

| CONCRETE PIPE STANDARD SIZES |           |
|------------------------------|-----------|
| STORM SEWER                  | RISER     |
| 6" (150)                     | 6" (150)  |
| 8" (200)                     | 6" (150)  |
| 10" (250)                    | 8" (200)  |
| 12" (300)                    | 8" (200)  |
| OR GREATER                   | 10" (250) |

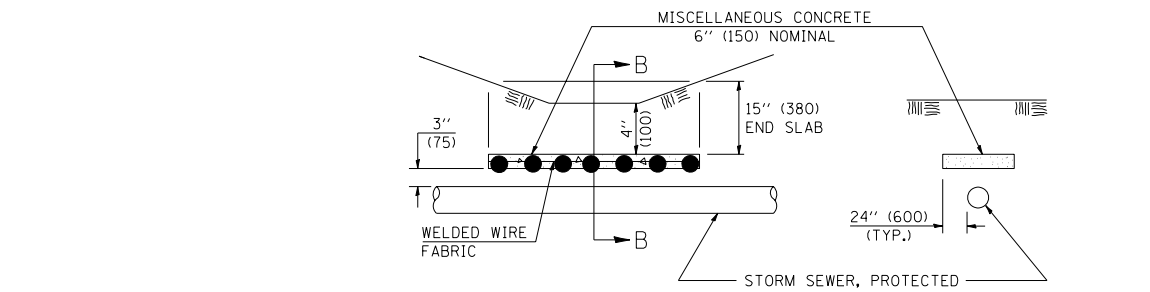
FOR PLASTIC PIPE, THE RISER MAY BE OF THE SAME SIZE AS THE PIPE, BUT SHALL NOT BE SMALLER THAN 4" (100 mm) DIAMETER.



INSPECTION WELL  
DETAIL "D"

GENERAL NOTES

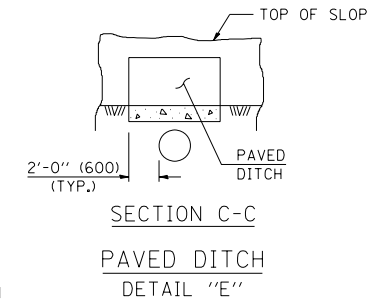
- EXISTING FIELD TILE ENCOUNTERED BY EXPLORATION TRENCH SHALL BE INSPECTED BY THE ENGINEER FOR UNOBSTRUCTED FLOW WITHIN THE LIMITS OF THE RIGHT-OF-WAY.
- ONLY FIELD TILE THAT DOES NOT HAVE SATISFACTORY FLOW AND OR HAS VISIBLE SIGNS OF DETERIORATION (SINK HOLES, ETC.) SHALL BE REPLACED WITHIN THE LIMITS OF THE RIGHT-OF-WAY IN ACCORDANCE WITH METHOD "B".
- INSPECTION WELLS SHALL BE CONSTRUCTED APPROXIMATELY 6" (150 mm) INSIDE OF BOTH RIGHT-OF-WAY LINES AT ALL FIELD TILE LOCATIONS.
- EXISTING FIELD TILE ABANDONED UNDER EXISTING PAVEMENTS OR PAVED SHOULDERS SHALL BE FILLED WITH FLOWABLE GROUT AS DIRECTED BY THE ENGINEER. THIS WORK WILL BE PAID FOR ACCORDING TO ARTICLE 109.04.
- NON-CIRCULAR FIELD TILE SHALL BE REPLACED WITH STORM SEWER, SPECIAL OF AT LEAST THE SAME CROSS SECTIONAL AREA. ALL EXISTING FIELD TILE SHALL BE REPLACED WITH STORM SEWER OF THE TYPE REQUIRED FOR THE MINIMUM DEPTH OF COVER.
- THE 6" (150 mm) CONCRETE SLAB OR DITCH LINING SHALL BE POURED THE LENGTH OF THE TRENCH AT ALL DITCH FLOW LINE LOCATIONS WITHIN THE RIGHT-OF-WAY WITH LESS THAN 2' (600 mm) OF EARTH COVER. MISCELLANEOUS CONCRETE SHALL BE USED ACCORDING TO SECTION 611.
- ALL MISCELLANEOUS SLABS, APRONS AND DITCH LININGS SHALL BE REINFORCED WITH WELDED WIRE FABRIC AS SHOWN FOR PAVED DITCH IN STANDARD 606401.
- HEADWALL FOR BACKSLOPE OUTLET MAY BE USED FOR PIPE DRAIN DIAMETERS UP TO 10" (250 mm). SPECIAL DESIGNS WILL BE REQUIRED FOR LARGER SIZES.
- THE INSPECTION WELL LID FOR P.C.C. PIPE SHALL BE CONSTRUCTED OF 3/8" (10 mm) CAST IRON AND PROVIDED WITH A 1" (25 mm) DIAMETER HOLE IN CENTER. THE LID FOR THE OTHER PIPE MATERIALS SHALL BE A GRATE ASSEMBLY PREFABRICATED FOR AND COMPATIBLE WITH THE PIPE SYSTEM.



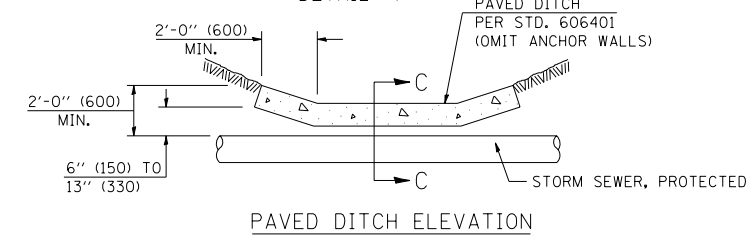
SLAB ELEVATION

CONCRETE SLAB  
DETAIL "F"

SECTION B-B



SECTION C-C  
PAVED DITCH  
DETAIL "E"



PAVED DITCH ELEVATION

Note: All dimensions are in INCHES (millimeters) unless otherwise shown.

DISTRICT 5 DETAIL NO. 61101011A

|   |                             |            |                 |
|---|-----------------------------|------------|-----------------|
| FILE NAME =                                   | USER NAME = blackrt         | DESIGNED - | REVISED - 11/06 |
| ca:\pw\work\pwidot\blackrt\d0128383\p8p20.dgn |                             | DRAWN -    | REVISED -       |
|   | PLOT SCALE = 40.0000' / IN. | CHECKED -  | REVISED -       |
|   | PLOT DATE = 8/18/2010       | DATE -     | REVISED -       |

STATE OF ILLINOIS  
DEPARTMENT OF TRANSPORTATION

FIELD TILE SYSTEMS (TREATMENT OF EXISTING)

|        |           |           |      |         |
|--------|-----------|-----------|------|---------|
| SCALE: | SHEET NO. | OF SHEETS | STA. | TO STA. |
|--------|-----------|-----------|------|---------|

| F.A.S. RTE.         | SECTION | COUNTY    | TOTAL SHEETS              | SHEET NO. |
|---------------------|---------|-----------|---------------------------|-----------|
| 331                 | Z-BR    | VERMILION | 49                        | 29        |
| FED. ROAD DIST. NO. |         |           | ILLINOIS FED. AID PROJECT |           |
|                     |         |           | CONTRACT NO. 70016        |           |