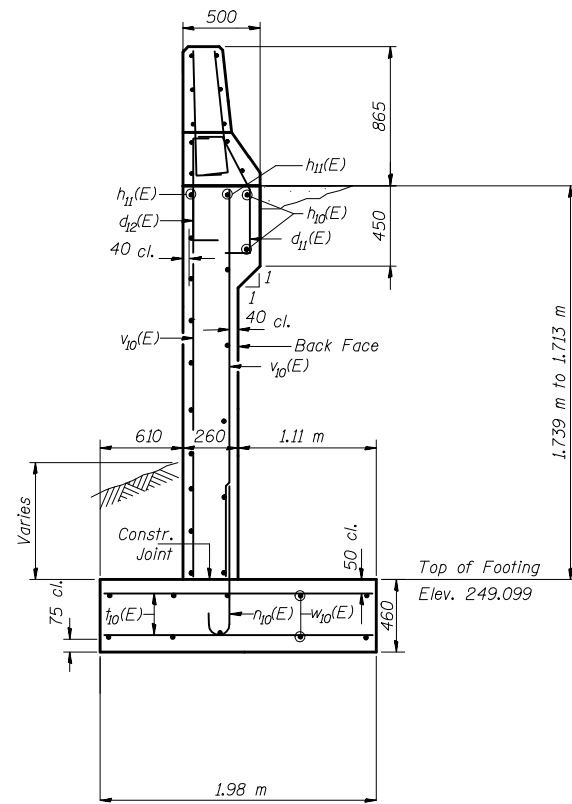
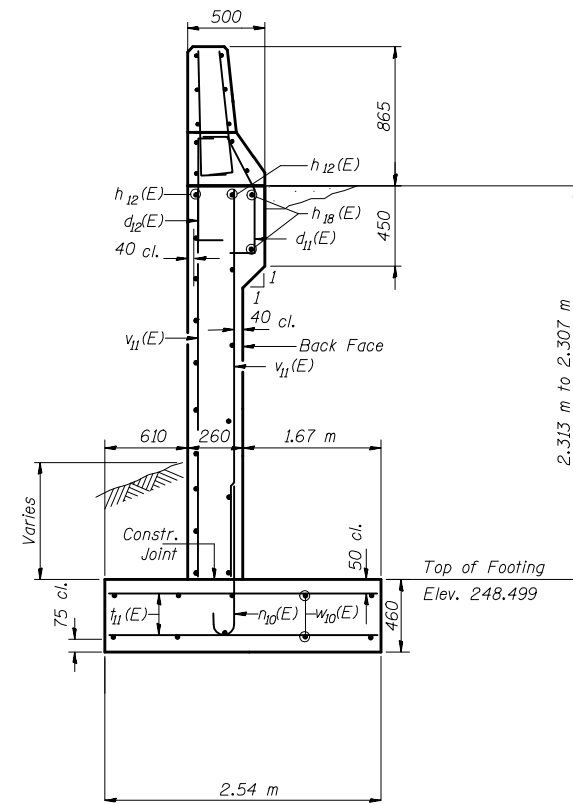


STATE OF ILLINOIS
DEPARTMENT OF TRANSPORTATION

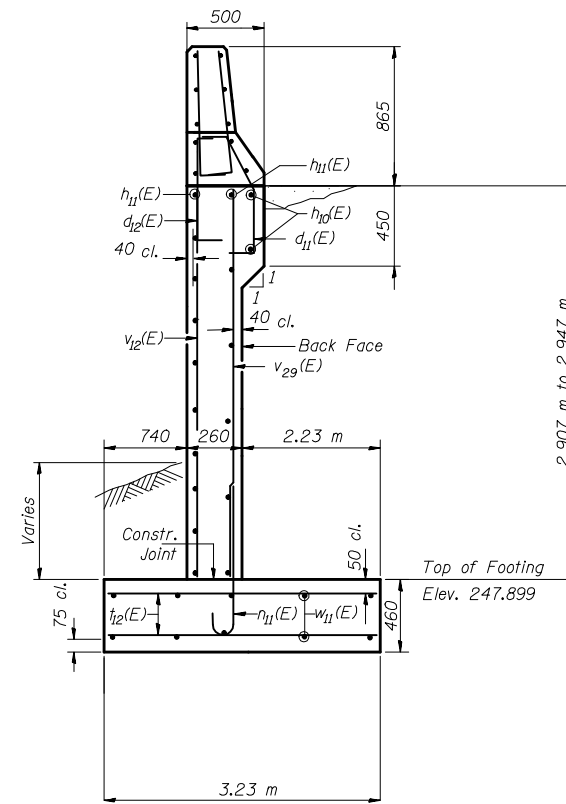
ROUTE NO.	SECTION	COUNTY	SHEET	SHEET	SHEET NO. 6
F.A.P. 704	CDI	McLEAN	497	275	11 SHEETS
FED. ROAD DIST. NO.	ILLINOIS	FED. AID PROJECT	CONTRACT NO. 70514		



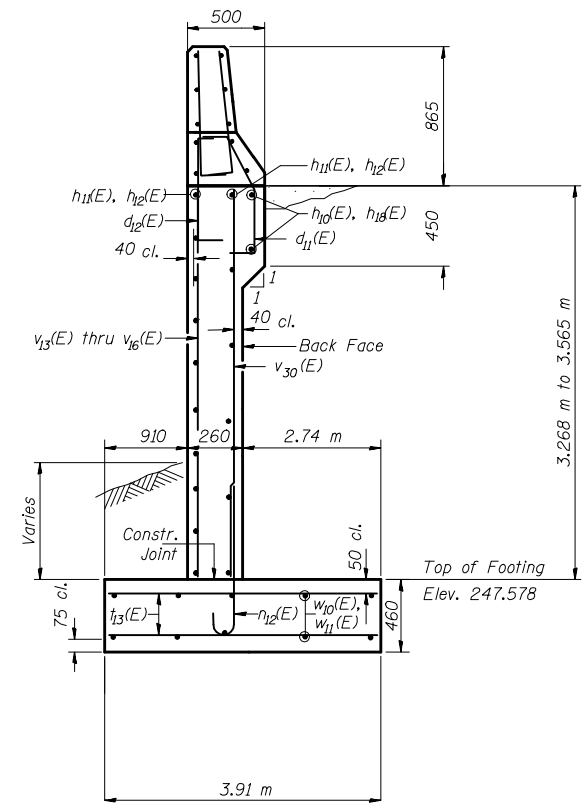
STATION 0+545.000 - 0+551.430



STATION 0+551.430 - 0+557.860



STATION 0+557.860 - 0+570.720



STATION 0+570.720 - 0+596.440



DESIGNED	JDA
CHECKED	WCT
DRAWN	MAC
CHECKED	WCT

DATE: 06-25-10

SECTIONS
RETAINING WALL ALONG SIX POINTS ROAD
F.A.P. ROUTE 704 SECTION (1) N&TS-1
McLEAN COUNTY
STATION 0+545.000 TO 0+635.000
STRUCTURE NO. 057-W001