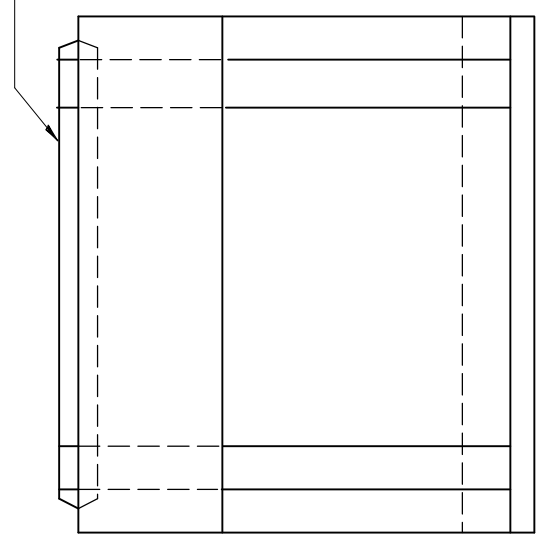
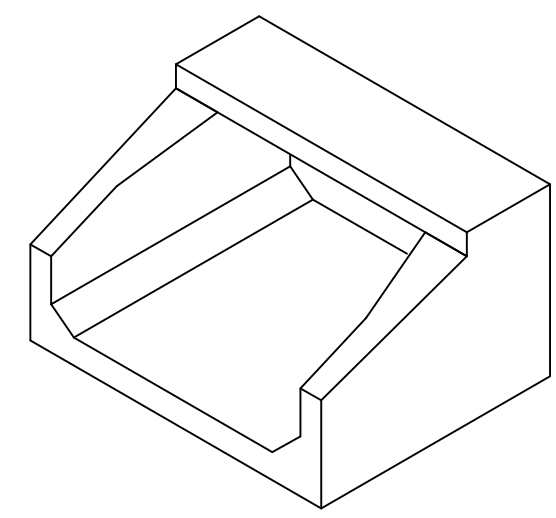
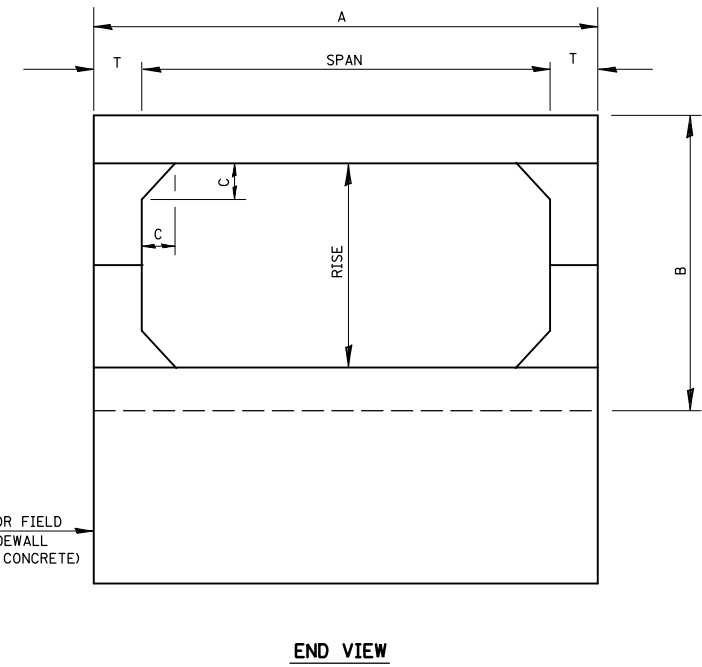
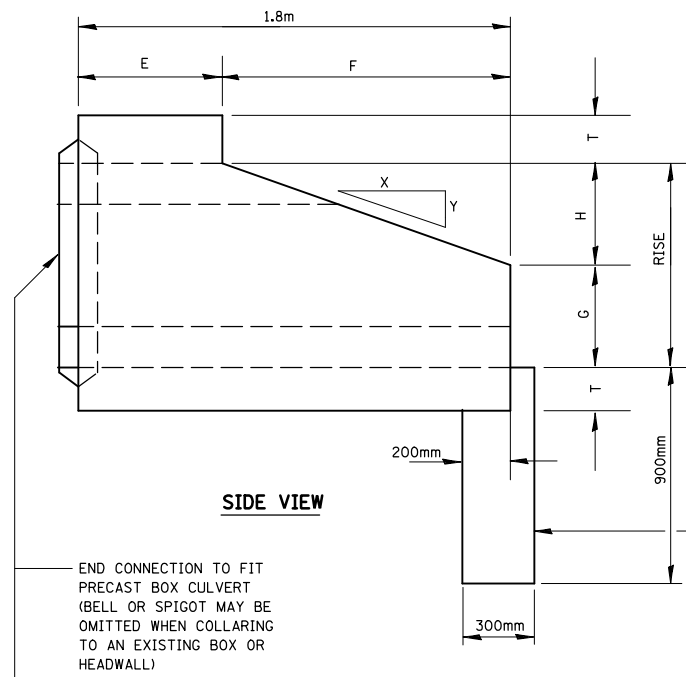


F.A.P. RTE. 704	SECTION (11N&TS-1)	COUNTY McLEAN	TOTAL SHEETS 497	SHEET NO. 303
STA. N/A		TO STA. N/A		
FED. ROAD DIST. NO.		ILLINOIS FED. AID PROJECT		
CONTRACT NO. 70514				



SPAN X RISE (m / mm)	T (mm)	A (m/mm)	B (m/mm)	C (mm)	E (m/mm)	F (m/mm)	G (m/mm)	H (m/mm)	SLOPE
610 X 610	102	813	813	102	914	914	305	305	1 : 3
914 X 610	102	1.118	813	102	914	914	305	305	1 : 3
914 X 914	102	1.118	1.118	102	610	1.219	508	406	1 : 3
1.219 X 610	127	1.473	864	127	914	914	305	305	1 : 3
1.219 X 914	127	1.473	1.168	127	610	1.219	508	406	1 : 3
1.219 X 1.219	127	1.473	1.473	127	610	1.219	610	610	1 : 2
1.524 X 610	152	1.829	914	152	914	914	305	305	1 : 3
1.524 X 914	152	1.829	1.219	152	610	1.219	508	406	1 : 3
1.524 X 1.219	152	1.829	1.524	152	610	1.219	610	610	1 : 2
1.524 X 1.524	152	1.829	1.829	152		1.219	914	610	1 : 2
1.829 X 610	178	2.184	965	178	914	914	305	305	1 : 3
1.829 X 914	178	2.184	1.270	178	610	1.219	508	406	1 : 3
1.829 X 1.219	178	2.184	1.575	178	610	1.219	610	610	1 : 2
1.829 X 1.524	178	2.184	1.880	178		1.219	914	610	1 : 2
2.134 X 914	203	2.540	1.321	203		1.219	508	406	1 : 3
2.134 X 1.219	203	2.540	1.626	203		1.219	610	610	1 : 2
2.134 X 1.524	203	2.540	1.930	203		1.219	914	610	1 : 2
2.438 X 914	203	2.845	1.321	203		1.219	508	406	1 : 3
2.438 X 1.219	203	2.845	1.626	203		1.219	610	610	1 : 2
2.438 X 1.524	203	2.845	1.930	203		1.219	914	610	1 : 2
2.743 X 914	229	3.200	1.372	229		1.219	508	406	1 : 3
2.743 X 1.219	229	3.200	1.676	229		1.219	610	610	1 : 2
2.743 X 1.524	229	3.200	1.981	229		1.219	914	610	1 : 2
3.048 X 1.219	254	3.556	1.499	254		1.219	610	610	1 : 2
3.048 X 1.524	254	3.556	2.032	254		1.219	914	610	1 : 2

**PRECAST CONCRETE BOX  
CULVERT END SECTION  
(914 mm x 610 mm)**

(EXTENSION OF 900X600 RCBC @ GREENWOOD AVE. STA. 10+685.810, 5.409 m RT.)

CODE NO.	PAY ITEM	UNIT	QUANTITY
54001001	BOX CULVERT END SECTIONS, CULVERT NO. 1	EACH	1

**540-16**

REVISIONS		ILLINOIS DEPARTMENT OF TRANSPORTATION
NAME	DATE	
		DISTRICT DETAILS
DATE 05-27-09		DRAWN BY SAM CHECKED BY PMH