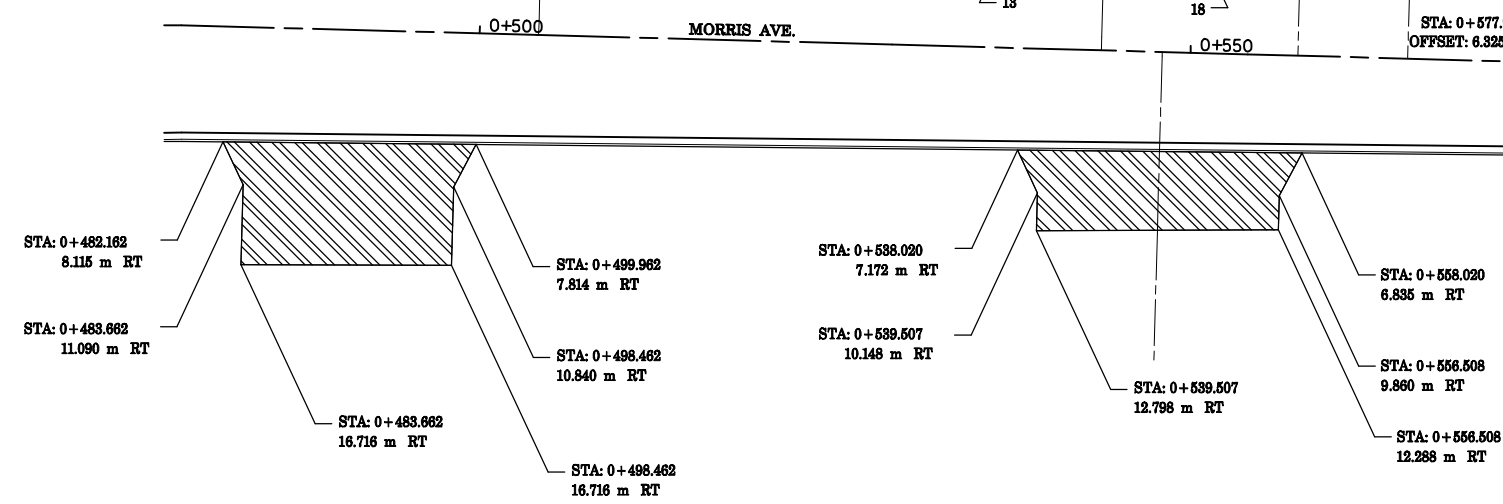
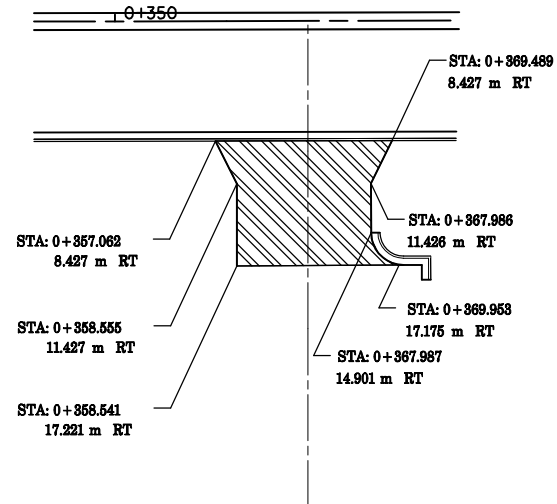
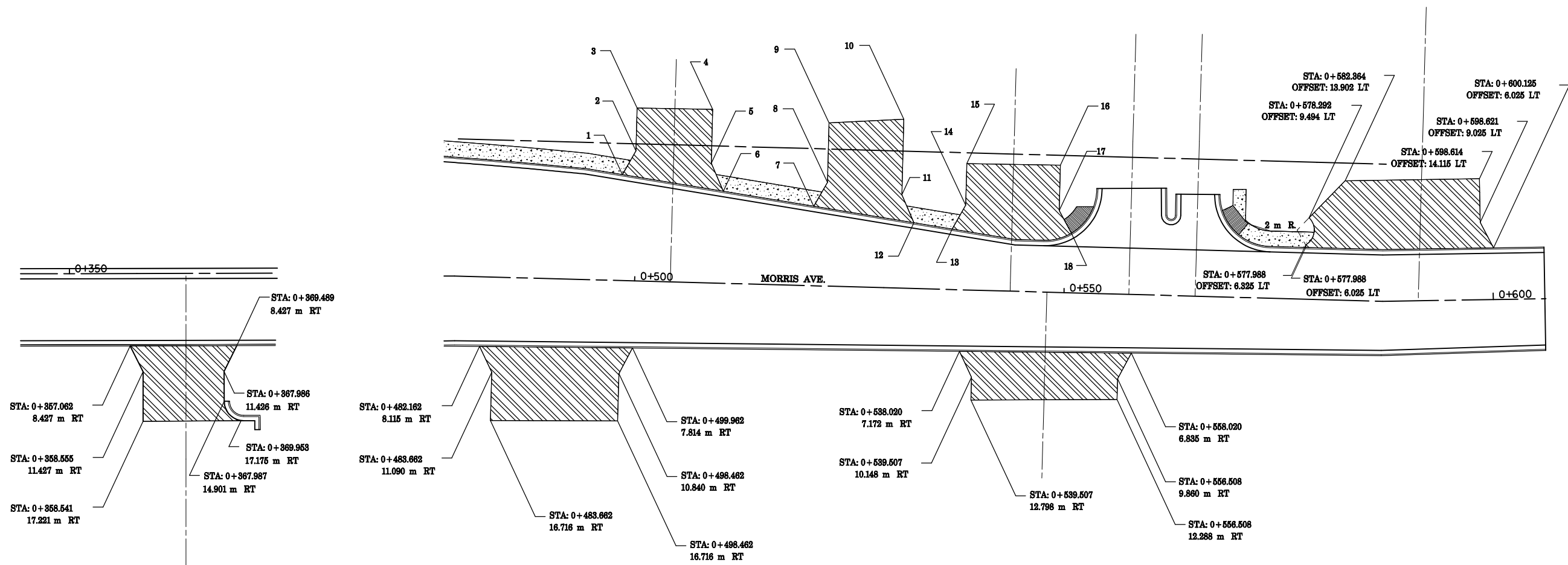
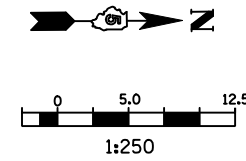


| | | | | |
|---------------------|-------------|-------------------|--------------|-----------|
| F.A.P. RTE. | SECTION | COUNTY | TOTAL SHEETS | SHEET NO. |
| 704 | (1)N & TS-1 | McLEAN | 497 | 316 |
| STA. 0+350.000 | | TO STA. 0+600.000 | | |
| FED. ROAD DIST. NO. | ILLINOIS | FED. AID PROJECT | | |
| CONTRACT NO. 70514 | | | | |

| POINT | STATION | OFFSET |
|-------|-----------|--------|
| 1 | 0+498.240 | 12.384 |
| 2 | 0+499.740 | 15.157 |
| 3 | 0+499.740 | 20.154 |
| 4 | 0+508.540 | 20.218 |
| 5 | 0+508.540 | 18.948 |
| 6 | 0+510.040 | 10.714 |
| 7 | 0+520.615 | 9.282 |
| 8 | 0+522.115 | 12.085 |
| 9 | 0+522.115 | 19.031 |
| 10 | 0+530.615 | 19.689 |
| 11 | 0+530.615 | 10.890 |
| 12 | 0+532.315 | 7.656 |
| 13 | 0+538.779 | 7.043 |
| 14 | 0+538.279 | 9.865 |
| 15 | 0+538.279 | 14.710 |
| 16 | 0+549.179 | 14.820 |
| 17 | 0+549.179 | 9.550 |
| 18 | 0+550.679 | 6.946 |



| REVISIONS | |
|-----------|------|
| NAME | DATE |
| | |
| | |
| | |
| | |
| | |
| | |
| | |

ILLINOIS DEPARTMENT OF TRANSPORTATION

DRIVEWAY DETAILS
MORRIS AVENUE

DRAWN BY MAC
CHECKED BY PMH

DATE 05-27-09

MORRIS AVENUE DRIVEWAY DETAILS