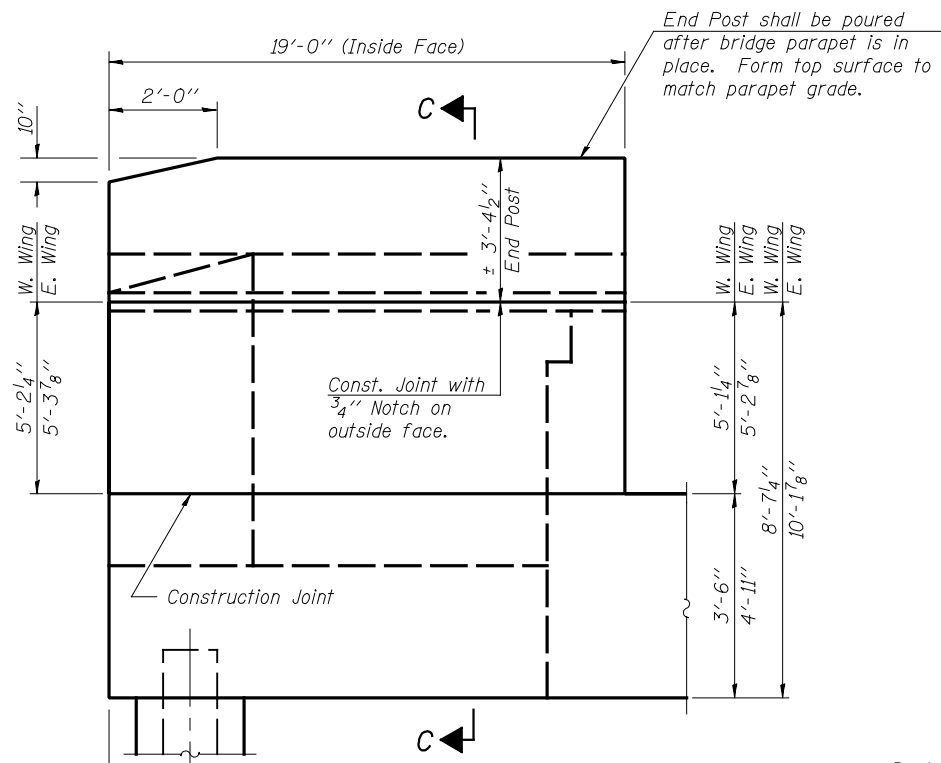


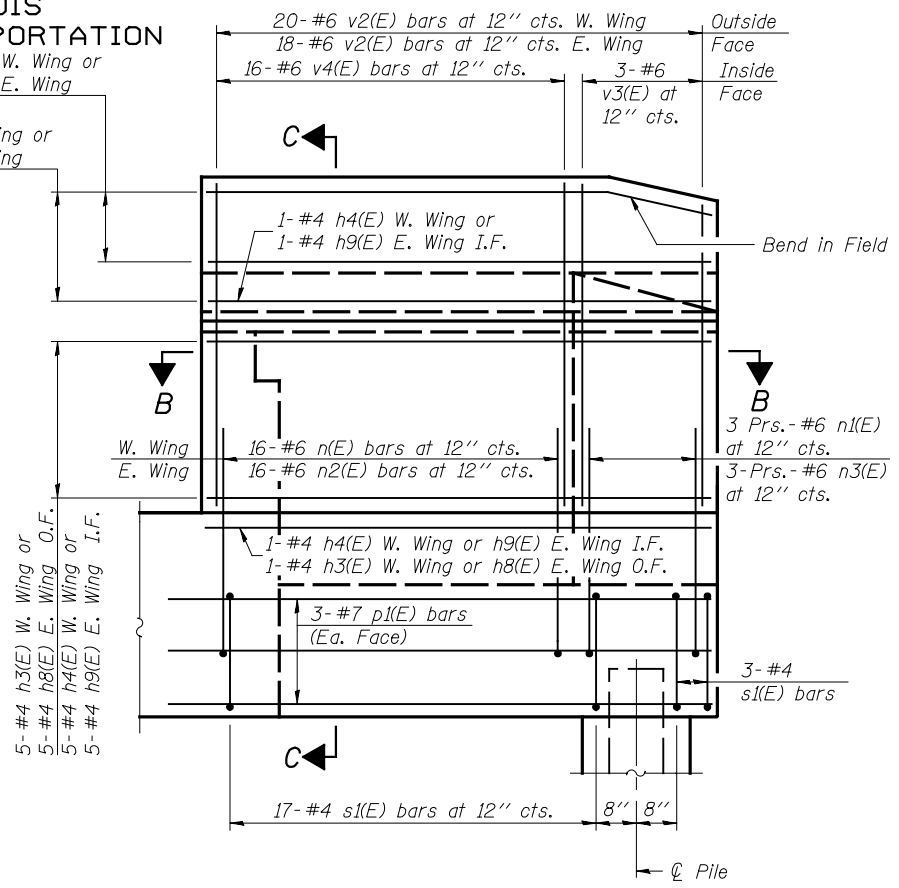
STATE OF ILLINOIS  
DEPARTMENT OF TRANSPORTATION



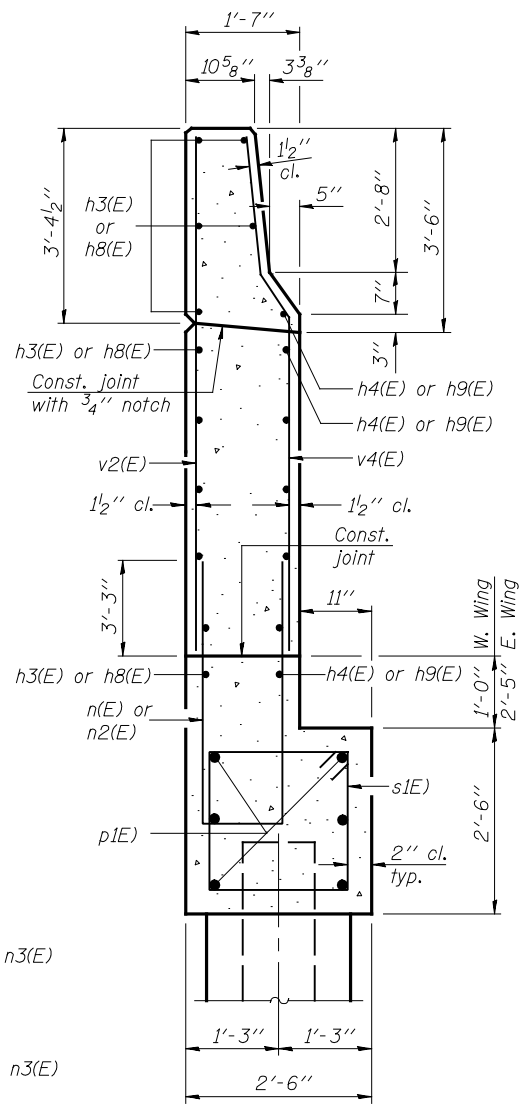
**WING WALL ELEVATION**  
Showing Dimensions

End Post shall be poured after bridge parapet is in place. Form top surface to match parapet grade.

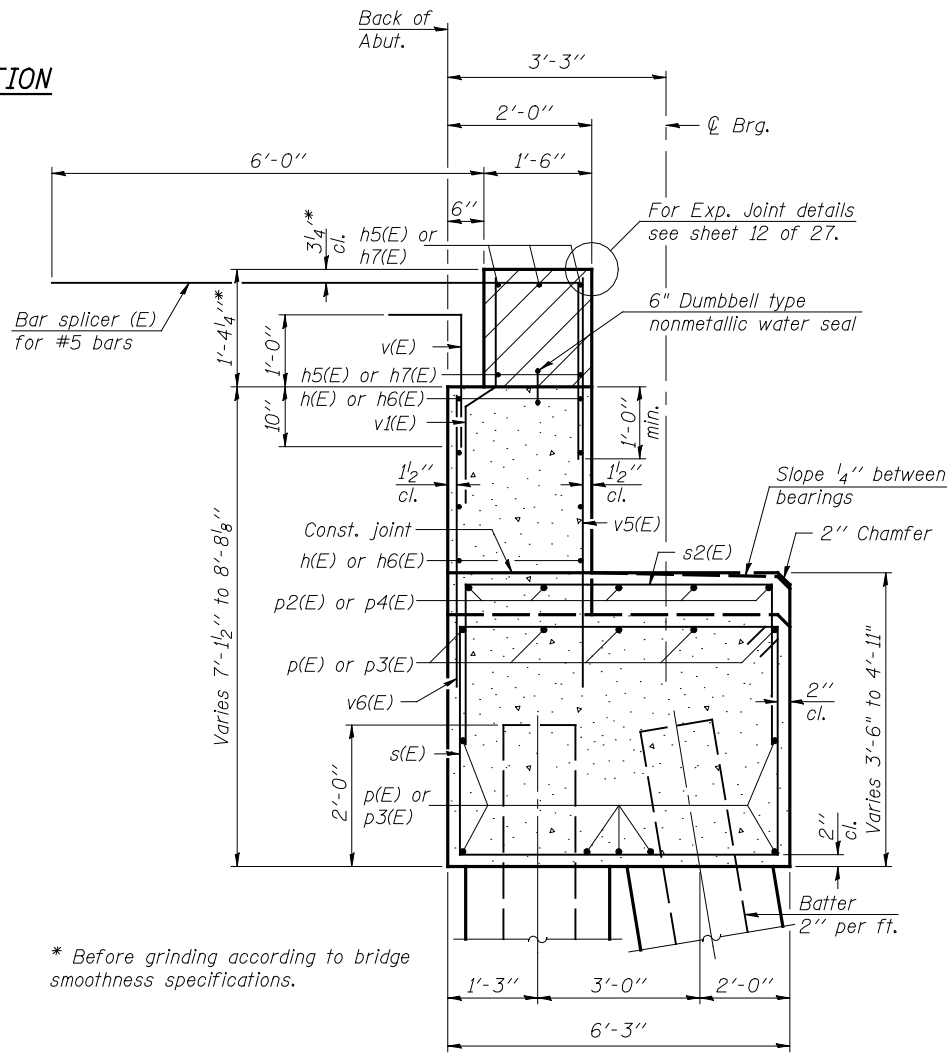
2-#4 h3(E) W. Wing or 2-#4 h8(E) E. Wing I.F.  
3-#4 h3(E) W. Wing or 3-#4 h8(E) E. Wing O.F.



**WING WALL ELEVATION**  
Showing Reinforcement

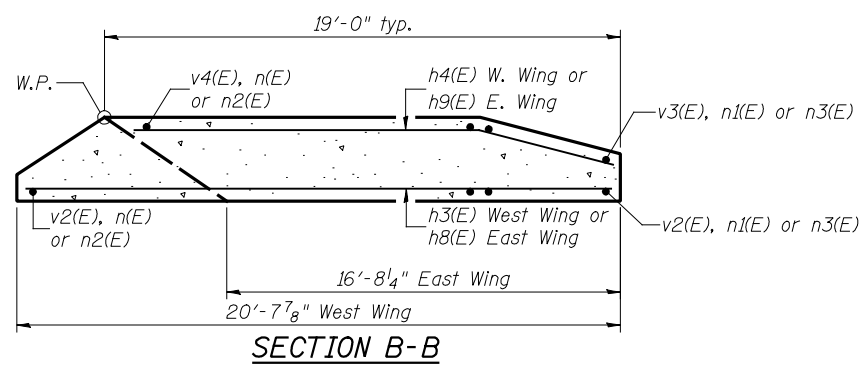


**SECTION C-C**



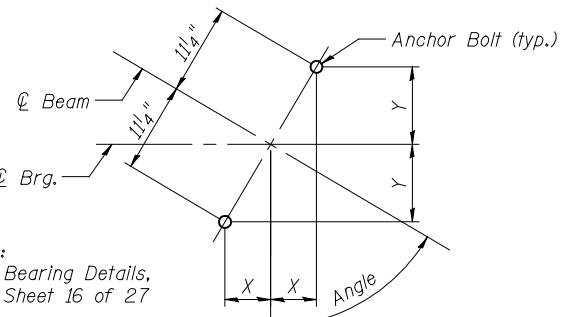
**SEC. THRU ABUT.**

\* Before grinding according to bridge smoothness specifications.



**SECTION B-B**

Notes:  
Hatched area to be poured after superstructure false work has been removed. Quantity of concrete included with Concrete Superstructure. Space reinforcement in cap to miss anchor bolts. Pour steps monolithically with cap. Quantity of concrete in end post included with Concrete Superstructure on sheet 9 of 27. For Concrete Encasement details, see sheet 24 of 27.



**ANCHOR BOLT LAYOUT**

**ANCHOR BOLT LAYOUT DIMENSIONS**

	Beam 1	Beam 2	Beam 3	Beam 4	Beam 5	Beam 6
Angle	55.80°	56.02°	56.25°	56.48°	56.72°	56.95°
X	6 3/8"	6 1/4"	6 1/4"	6 1/4"	6 1/8"	6 1/8"
Y	9 1/4"	9 3/8"	9 3/8"	9 3/8"	9 3/8"	9 3/8"

**JD Johnson, Depp & Quisenberry**  
CONSULTING ENGINEERS  
Springfield, Illinois

DESIGNED: DCD	DRAWN: P. Ray
CHECKED: CMV	CHECKED: CMV/DCD

A-1-D 11-1-09 (Modified)

**SOUTH ABUTMENT**  
**STRUCTURE NO. 057-0250**

SHEET 21 OF 27	F.A.I. RTE.	SECTION	COUNTY	TOTAL SHEETS	SHEET NO.
	55	(57-7HB-1)BR	MCLAN	153	71
STA. 626+53.70		CONTRACT NO. 70520		FED. ROAD DIST. NO. ILLINOIS FED. AID PROJECT	

FILE: J:\JDO\10169 IL-D5 1-55NB McLeon\14EB\0570250-70520-020-sabuf.dgn USER: DCD PRINT DATE: 08/06/2010 20:56:59 SAVE DATE: 8/6/2010