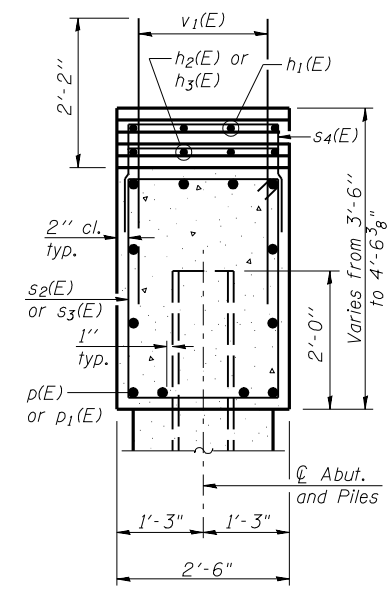
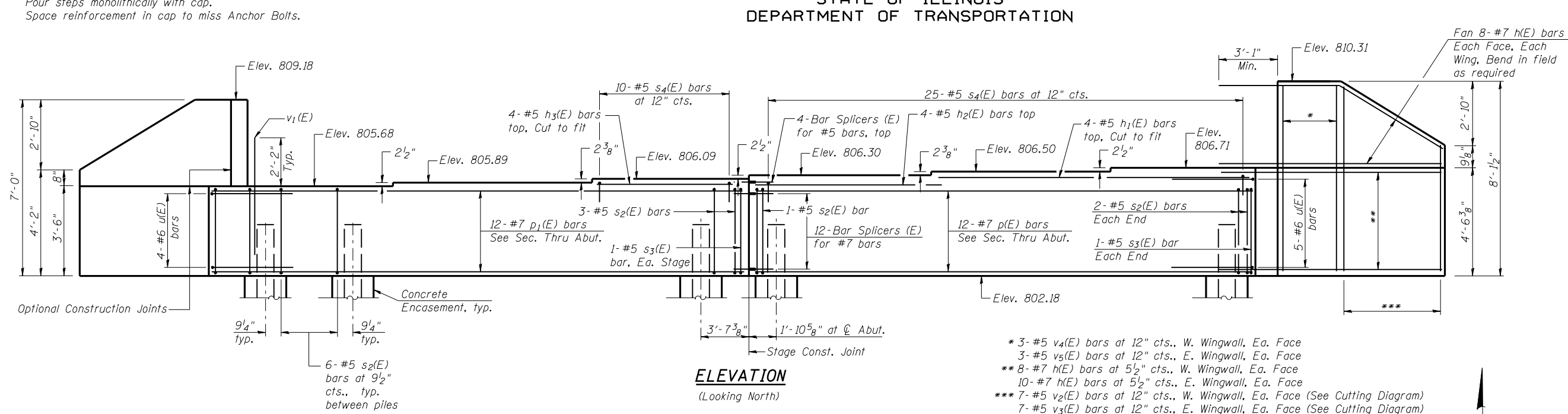


STATE OF ILLINOIS
DEPARTMENT OF TRANSPORTATION

Notes:
Pour steps monolithically with cap.
Space reinforcement in cap to miss Anchor Bolts.

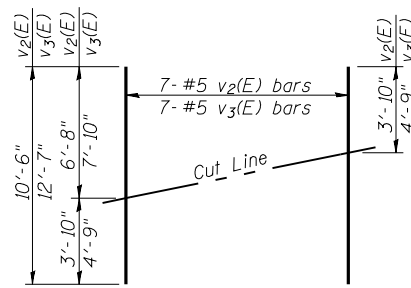
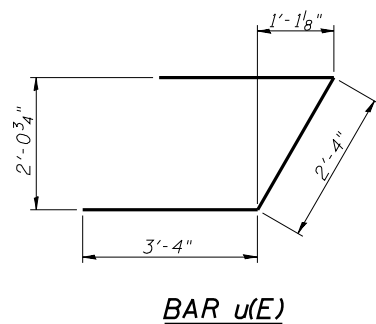
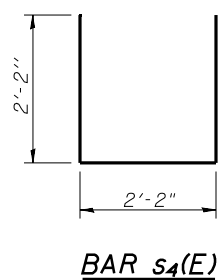
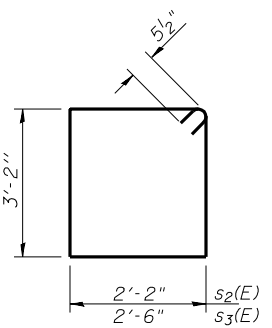
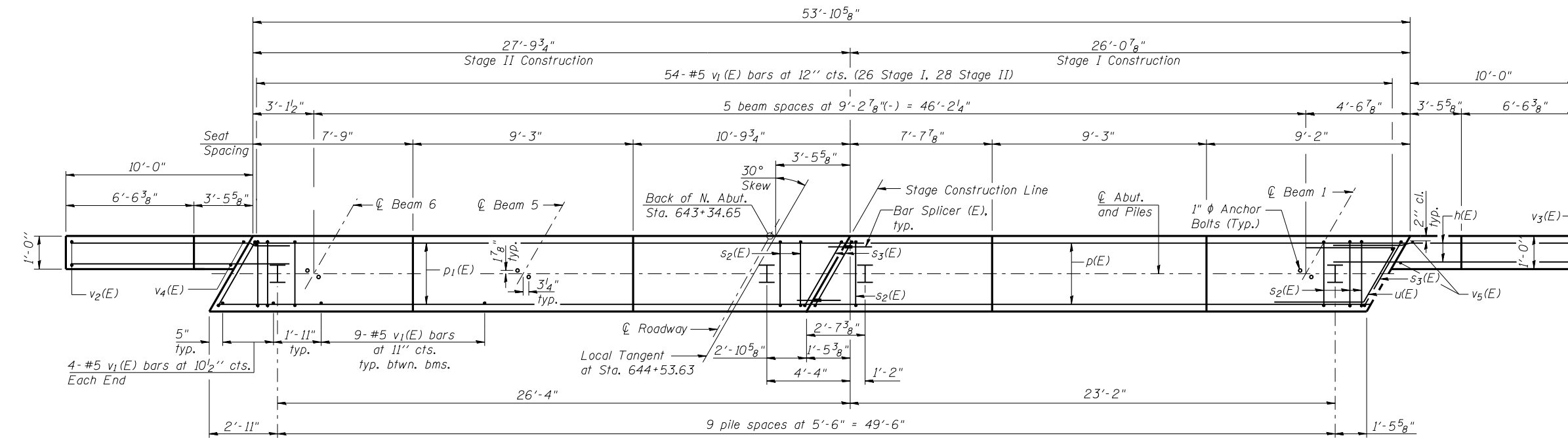


BILL OF MATERIAL
(North Abutment)

Bar	No.	Size	Length	Shape
h(E)	68	#7	13'-5"	—
h ₁ (E)	4	#5	18'-1"	—
h ₂ (E)	4	#5	9'-1"	—
h ₃ (E)	4	#5	10'-6"	—
p(E)	12	#7	25'-9"	—
p ₁ (E)	12	#7	27'-6"	—
s ₂ (E)	56	#5	11'-7"	□
s ₃ (E)	4	#5	12'-3"	□
s ₄ (E)	35	#5	6'-6"	□
u(E)	9	#6	9'-0"	J
v ₁ (E)	107	#5	4'-4"	—
v ₂ (E)	7	#5	10'-6"	—
v ₃ (E)	7	#5	12'-7"	—
v ₄ (E)	6	#5	6'-8"	—
v ₅ (E)	6	#5	7'-10"	—
Structure Excavation		Cu. Yd.	146	
Concrete Structures		Cu. Yd.	25.0	
Reinforcement Bars, Epoxy Coated		Pound	5,160	
Furnishing Steel Piles HP 12x63		Foot	450	
Driving Piles		Foot	450	
Test Pile Steel HP 12x63		Each	1	
Concrete Encasement		Cu. Yd.	3.5	

For details of Bar Splicers, see sheet 21 of 26.
 For details of piles and Concrete Encasement, see sheet 22 of 26.
 For details of Integral Abutment Bearing, see sheet 16 of 26.
 For drainage details, see sheet 2 of 26.

**NORTH ABUTMENT
STRUCTURE NO. 057-0249**



Order v₂(E) and v₃(E) full length. Cut as shown and use remainder of bars in opposite face.

PILE DATA

Type: Steel HP12x63
 Nominal Required Bearing: 414 kips
 Factored Resistance Available: 228 kips
 Est. Length: 50'
 No. Production Piles: 9
 No. Test Piles: 1

LIN ENGINEERING, LTD.
Consulting Engineers
Chatham, Illinois

Designed By: ESH
Checked By: MTH
Date: April, 2010

Drawn By: ESH
File: 057-0249.dgn

SHEET NO. 17 26 SHEETS	F.A.I. RTE.	SECTION	COUNTY	TOTAL SHEETS	SHEET NO.
	55	(57-7HB-2)BR	MCLEAN	153	94
			CONTRACT NO. 70520		
ILLINOIS FED. AID PROJECT					