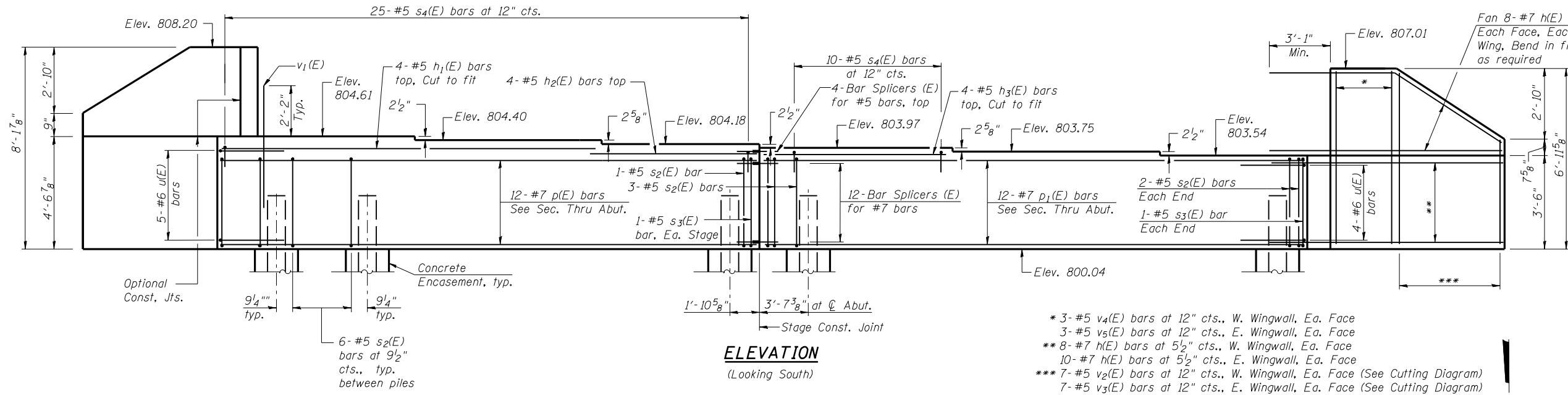
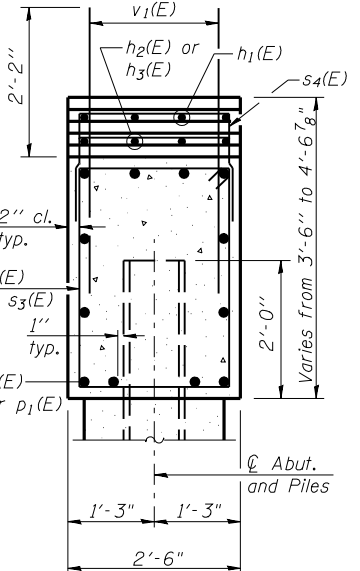


STATE OF ILLINOIS  
DEPARTMENT OF TRANSPORTATION

Notes:  
Pour steps monolithically with cap.  
Space reinforcement in cap to miss Anchor Bolts.

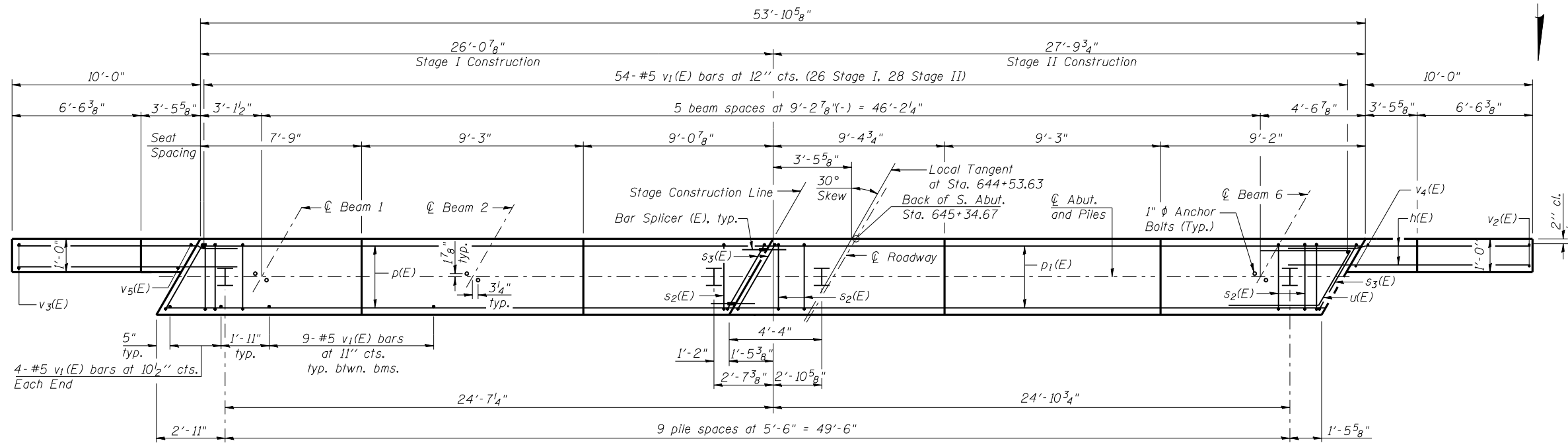


**ELEVATION**  
(Looking South)



**SEC. THRU ABUT.**  
(Dimensions at Rt. L's)

\* 3-#5 v4(E) bars at 12" cts., W. Wingwall, Ea. Face  
3-#5 v5(E) bars at 12" cts., E. Wingwall, Ea. Face  
\*\* 8-#7 h(E) bars at 5 1/2" cts., W. Wingwall, Ea. Face  
10-#7 h(E) bars at 5 1/2" cts., E. Wingwall, Ea. Face  
\*\*\* 7-#5 v2(E) bars at 12" cts., W. Wingwall, Ea. Face (See Cutting Diagram)  
7-#5 v3(E) bars at 12" cts., E. Wingwall, Ea. Face (See Cutting Diagram)



**PLAN**

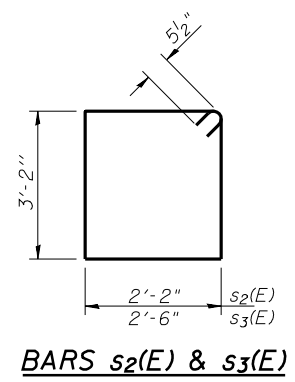
**BILL OF MATERIAL**  
(South Abutment)

Bar	No.	Size	Length	Shape
h(E)	68	#7	13'-5"	—
h1(E)	4	#5	18'-1"	—
h2(E)	4	#5	9'-1"	—
h3(E)	4	#5	10'-6"	—
p(E)	12	#7	25'-9"	—
p1(E)	12	#7	27'-6"	—
s2(E)	56	#5	11'-7"	□
s3(E)	4	#5	12'-3"	□
s4(E)	35	#5	6'-6"	□
u(E)	9	#6	9'-0"	┘
v1(E)	107	#5	4'-4"	—
v2(E)	7	#5	10'-6"	—
v3(E)	7	#5	12'-7"	—
v4(E)	6	#5	6'-8"	—
v5(E)	6	#5	7'-10"	—
Structure Excavation		Cu. Yd.	146	
Concrete Structures		Cu. Yd.	25.0	
Reinforcement Bars, Epoxy Coated		Pound	5,160	
Furnishing Steel Piles HP 12x63		Foot	468	
Driving Piles		Foot	468	
Test Pile Steel HP 12x63		Each	1	
Concrete Encasement		Cu. Yd.	3.5	

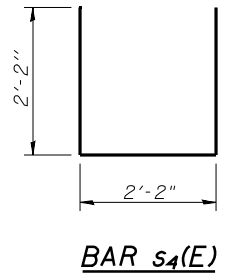
**PILE DATA**

Type: Steel HP12x63  
Nominal Required Bearing: 362 kips  
Factored Resistance Available: 199 kips  
Est. Length: 52'  
No. Production Piles: 9  
No. Test Piles: 1

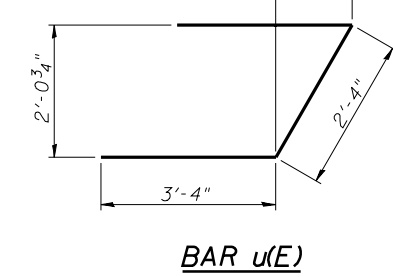
For details of Bar Splicers, see sheet 21 of 26.  
For details of piles and Concrete Encasement, see sheet 22 of 26.  
For details of Integral Abutment Bearing, see sheet 16 of 26.  
For drainage details, see sheet 2 of 26.



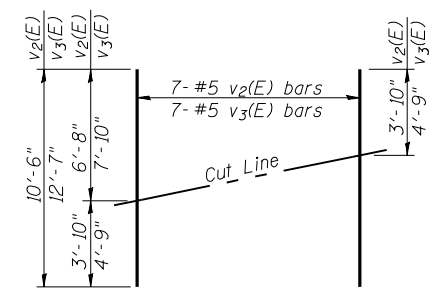
**BARS s2(E) & s3(E)**



**BAR s4(E)**



**BAR u(E)**



**FIELD CUTTING DIAGRAM**

Order v2(E) and v3(E) full length. Cut as shown and use remainder of bars in opposite face.

**LIN ENGINEERING, LTD.**  
Consulting Engineers  
Chatham, Illinois

Designed By: ESH  
Checked By: MTH  
Date: April, 2010

File: 057-0249.dgn

Drawn By: ESH

SHEET NO. 18 26 SHEETS	F.A.I. RTE.	SECTION	COUNTY	TOTAL SHEETS	SHEET NO.
	55	(57-7HB-2)BR	MCLEAN	153	95
			CONTRACT NO. 70520		
ILLINOIS FED. AID PROJECT					