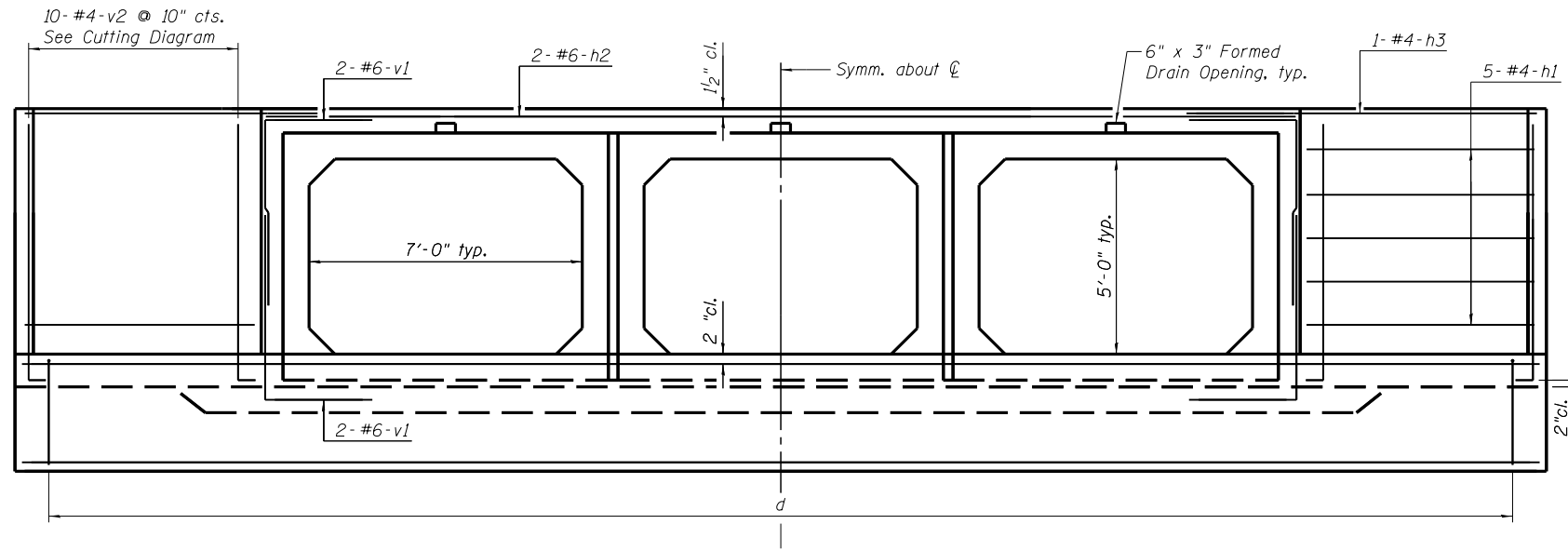
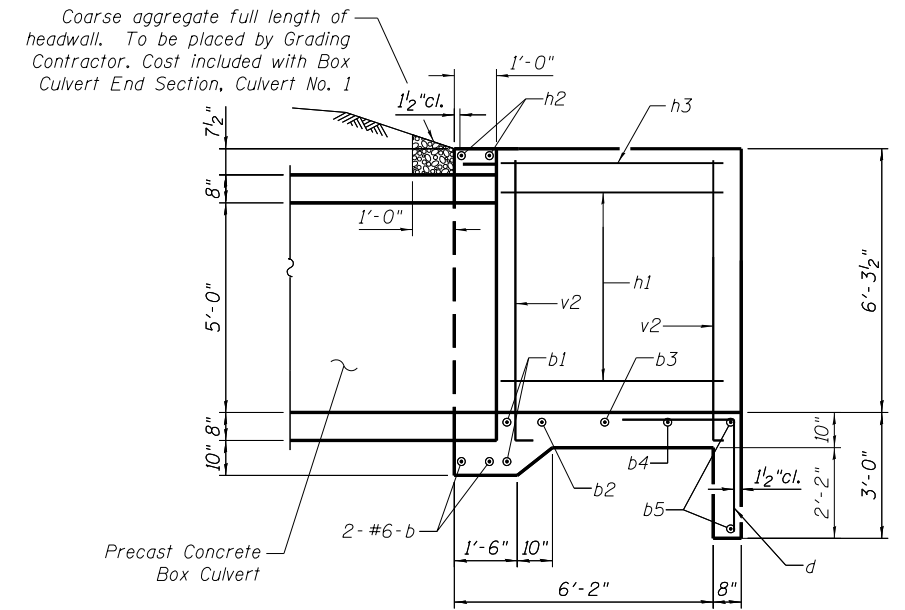


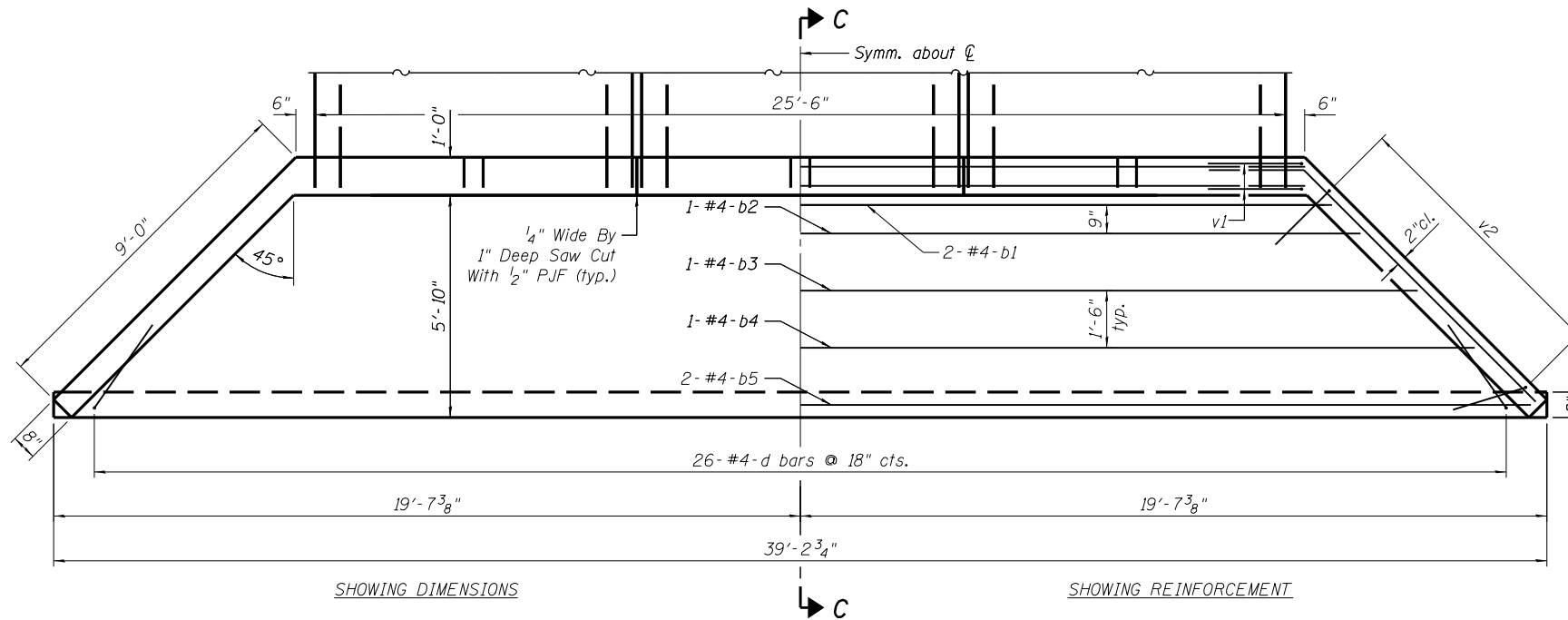
8/9/2010 7:33:22 AM



END ELEVATION



SECTION C-C



PLAN

BILL OF MATERIAL

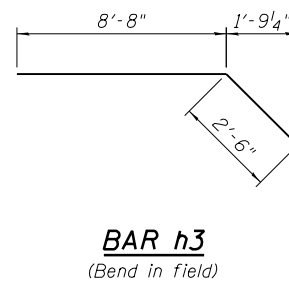
Bar	No.	Size	Length	Shape
b	2	#6	26'-6"	—
b1	2	#4	28'-6"	—
b2	1	#4	30'-0"	—
b3	1	#4	33'-0"	—
b4	1	#4	36'-0"	—
b5	2	#4	38'-10"	—
d	26	#4	5'-4"	┘
h1	10	#4	8'-8"	—
h2	2	#6	26'-2"	—
h3	2	#4	11'-2"	┘
v1	8	#6	7'-3"	┘
v2	20	#4	8'-9"	┘
Reinforcement Bars			Pound	680
* Box Culvert End Section, Culvert No. 1			Each	1

* East End Section = 13.4 Cu. Yd. Concrete

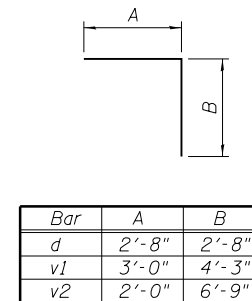
NOTES:

- Bill of Material for East headwall only.
- Bar dimensions are out to out.
- Not to scale or proper orientation.
- Exposed edges shall be beveled 3/4".
- Reinforcement bars shall conform to the requirements of ASTM A706 Gr 60. See Special Provisions.
- Headwall at 0° skew to culvert centerline.
- Minimum bar laps:
#6 bar = 2'-7"

DESIGNED	KTH
CHECKED	ADL
DRAWN	KTH
CHECKED	ADL



BAR h3
(Bend in field)



BARS d, v1, & v2

Bar	A	B
d	2'-8"	2'-8"
v1	3'-0"	4'-3"
v2	2'-0"	6'-9"

EAST CAST-IN-PLACE END SECTION
S.N. 034-2525

SHEET NO. 3 5 SHEETS	F.A.P. RTE.	SECTION	COUNTY	TOTAL SHEETS	SHEET NO.
	510	120 (B-4, B-5)	HANCOCK	80	39
FED. ROAD DIST. NO.			ILLINOIS	FED. AID PROJECT	
			CONTRACT NO. 72A65		

Klingner & Associates P.C.