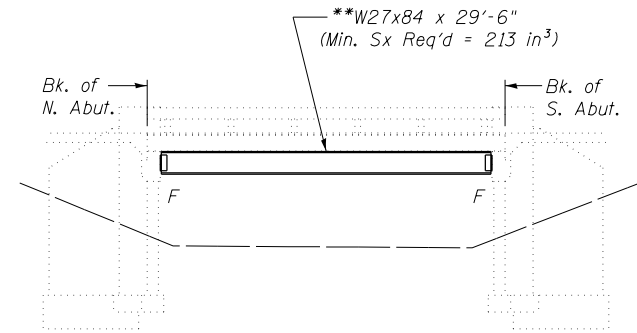


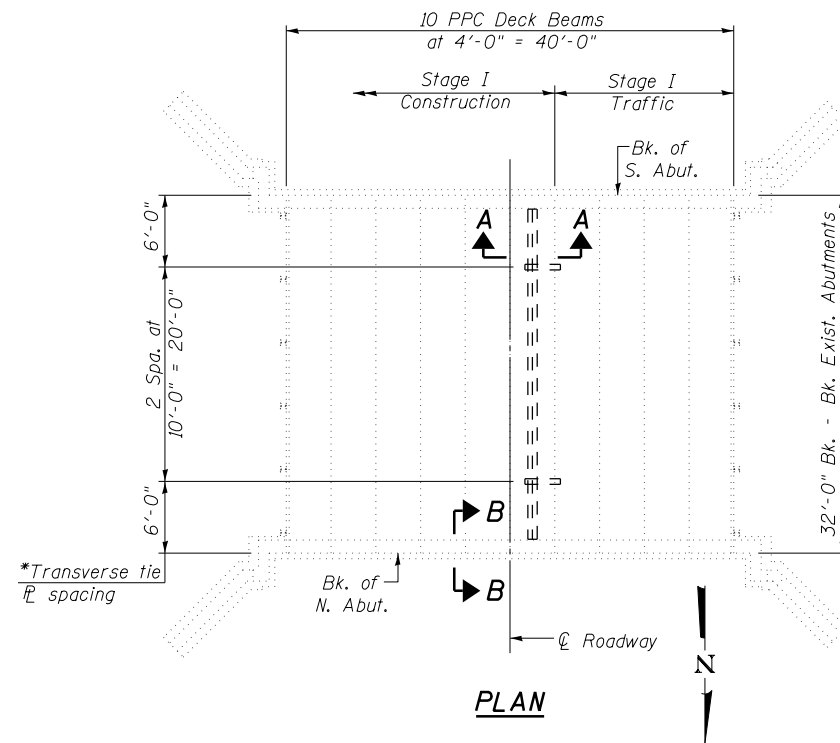
8/9/2010 8:04:51 AM

**Contractor is to verify beam length prior to ordering material. Other sections meeting the section modulus requirements shown may be allowed subject to approval by the Bureau of Bridges and Structures. Maximum Girder depth = 30". No additional payment will be allowed if the Contractor chooses a heavier steel section than the one specified in the plans.

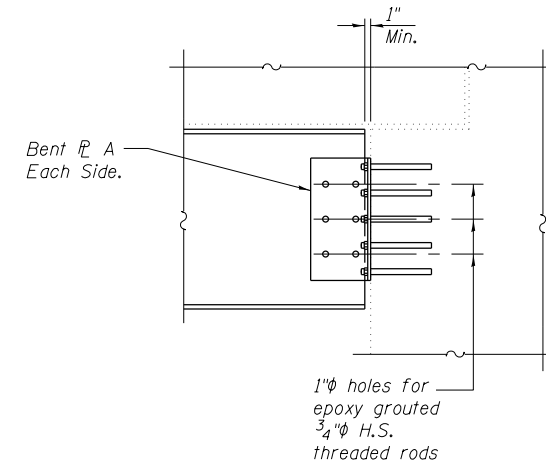
* \varnothing Transverse tie \varnothing 's (3 required). Place additional shims at midpoints between tie \varnothing 's. Securely weld shims to top flange of support beam. Minimum shim size is 6" x flange width.



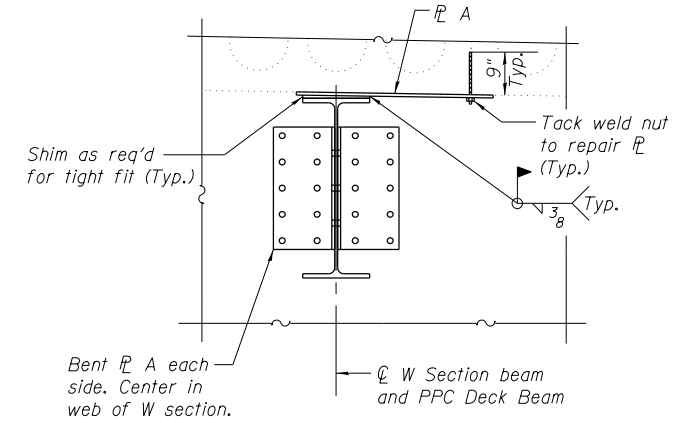
ELEVATION



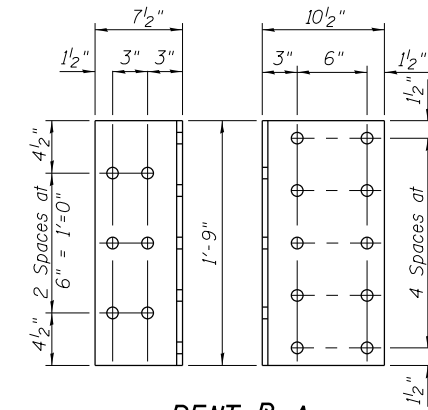
PLAN



SECTION B-B

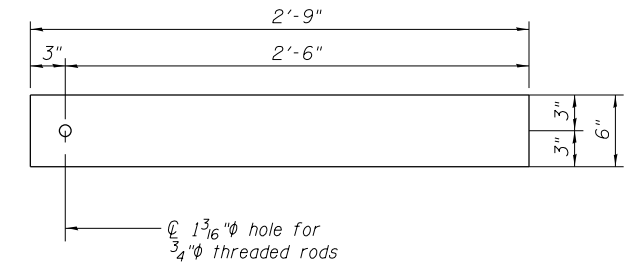


SECTION A-A



BENT \varnothing A

\varnothing 1/2" x 1'-6" x 1'-9" (4 Req'd)



TRANSVERSE TIE \varnothing 'S

\varnothing A 1/2" x 2'-9" x 6" (3 Req'd)

GENERAL NOTES

The support beam shall be installed on existing S.N. 034-0023 before stage I removal and shall not be removed until stage II removal.

All structural steel shall conform to AASHTO Classification M-270 Gr. 36, unless otherwise noted.

Plan dimensions and details relative to existing plans are subject to routine variations. The Contractor shall field verify existing dimensions and details affecting new construction and make necessary approved adjustments prior to construction or ordering of materials. Such variations shall not be cause for additional compensation for a change in scope of the work, however, the Contractor will be paid for the quantity actually furnished based upon the unit price bid for the work.

All structural steel shall be shop painted with the inorganic zinc rich primer per AASHTO M300, Type 1. Cost included with Furnishing and Erecting Structural Steel.

For stage construction details see Roadway Plans.

The Contractor is advised that the existing PPC Deck Beams are in a deteriorated condition with reduced load carrying capacity. It is the Contractor's responsibility to account for the condition of the beams when developing construction procedures.

See Section 584 of the Standard Specifications for epoxy grouting of threaded rods; Minimum embedment 9".

The cost of epoxy grouting threaded rods shall be included with Furnishing and Erecting Structural Steel.

BILL OF MATERIAL

ITEM	UNIT	TOTAL
Furnishing and Erecting Structural Steel	L. Sum	1

SUPPORT BEAM DETAILS
S.N. 034-2526

DESIGNED	KTH
CHECKED	ADL
DRAWN	KTH
CHECKED	ADL

SHEET NO. 4 6 SHEETS	F.A.P RTE.	SECTION	COUNTY	TOTAL SHEETS	SHEET NO.
	510	120 (B-4, B-5)	HANCOCK	80	45
FED. ROAD DIST. NO.			ILLINOIS	FED. AID PROJECT	
			CONTRACT NO. 72A65		