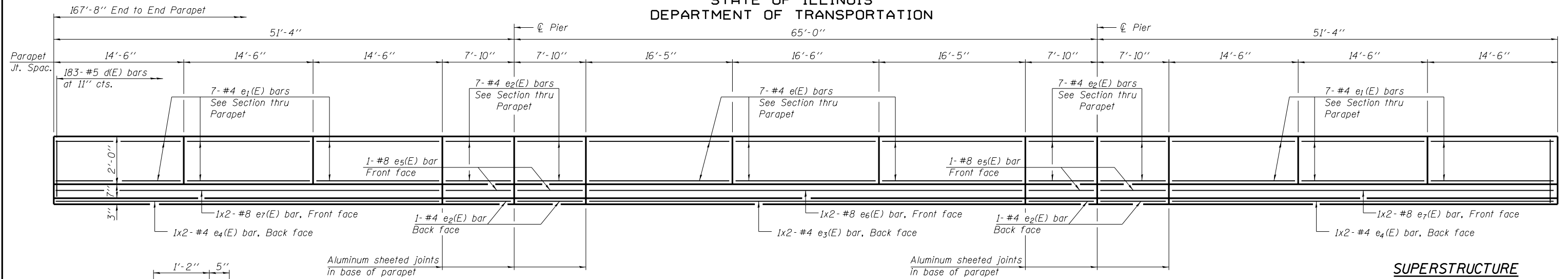


STATE OF ILLINOIS  
DEPARTMENT OF TRANSPORTATION

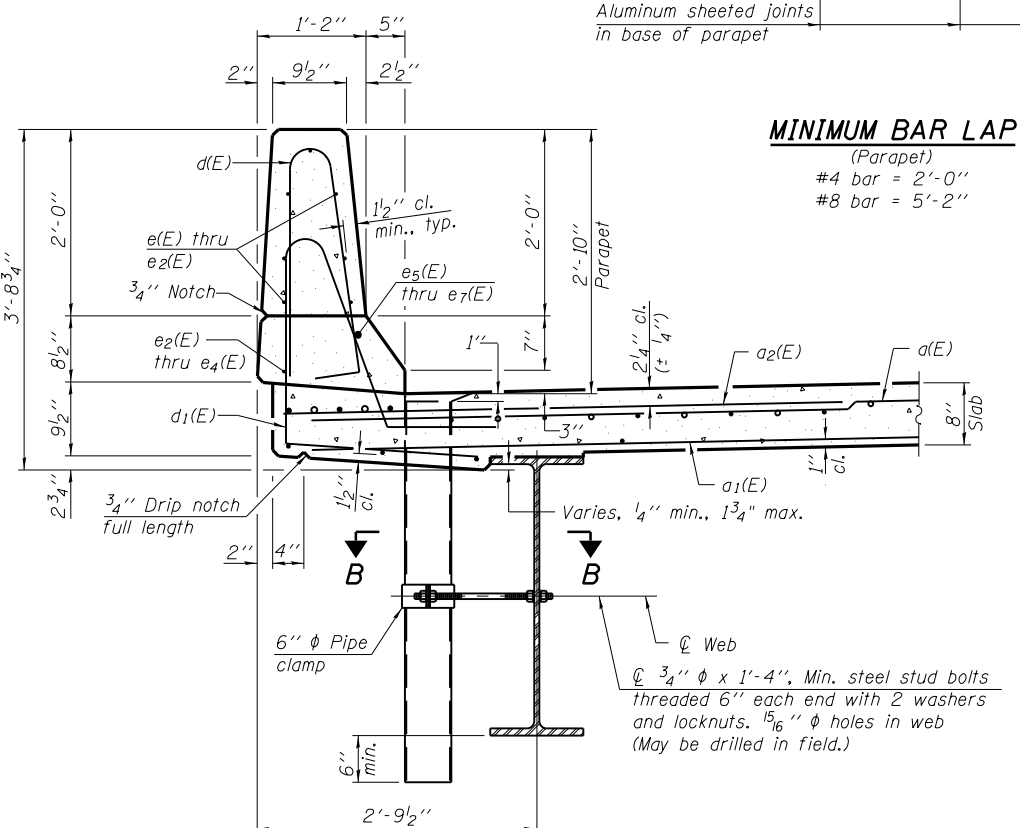


INSIDE ELEVATION OF PARAPET

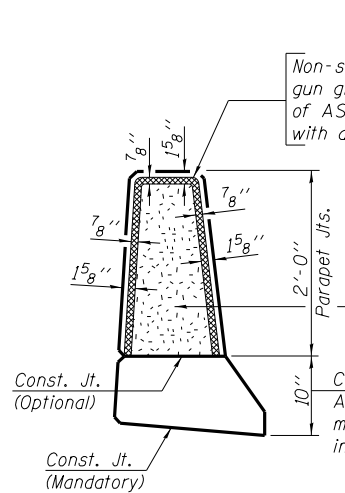
SUPERSTRUCTURE  
BILL OF MATERIAL

Bar	No.	Size	Length	Shape
a(E)	620	#5	17'-1"	—
a <sub>1</sub> (E)	404	#5	16'-9"	—
a <sub>2</sub> (E)	596	#6	6'-6"	—
a <sub>3</sub> (E)	8	#5	18'-4"	—
b(E)	266	#5	26'-2"	—
b <sub>1</sub> (E)	68	#6	34'-5"	—
b <sub>2</sub> (E)	192	#5	30'-1"	—
d(E)	366	#5	5'-7"	⌋
d <sub>1</sub> (E)	366	#5	7'-6"	⌋
e(E)	42	#4	16'-2"	—
e <sub>1</sub> (E)	84	#4	14'-2"	—
e <sub>2</sub> (E)	64	#4	7'-6"	—
e <sub>3</sub> (E)	4	#4	25'-6"	—
e <sub>4</sub> (E)	8	#4	22'-7"	—
e <sub>5</sub> (E)	8	#8	7'-6"	—
e <sub>6</sub> (E)	4	#8	27'-1"	—
e <sub>7</sub> (E)	8	#8	24'-2"	—
m(E)	20	#6	18'-4"	—
m <sub>1</sub> (E)	24	#6	8'-4"	—
m <sub>2</sub> (E)	8	#6	5'-0"	—
m <sub>3</sub> (E)	4	#6	2'-2"	—
m <sub>4</sub> (E)	4	#6	2'-4"	—
s(E)	76	#5	6'-10"	⌋
s <sub>1</sub> (E)	64	#4	9'-1"	⌋
v(E)	72	#5	3'-7"	⌋
Concrete Superstructure		Cu. Yds.		205.8
Reinforcement Bars, Epoxy Coated		Pound		50,740

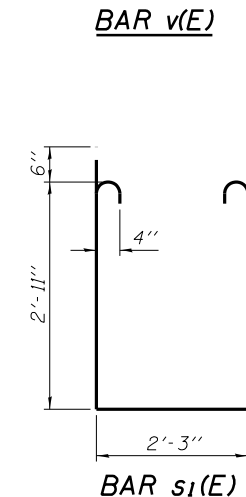
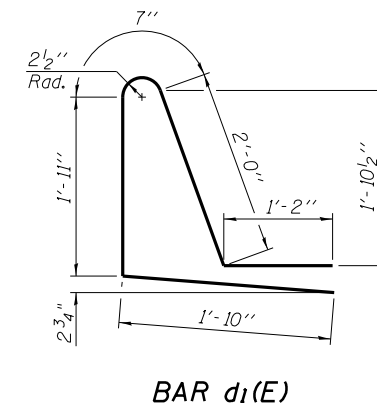
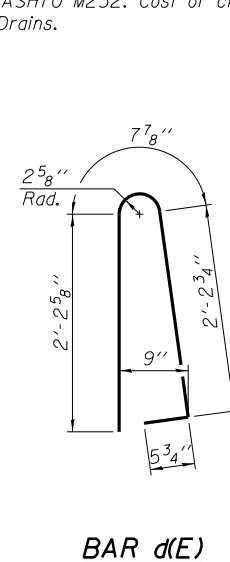
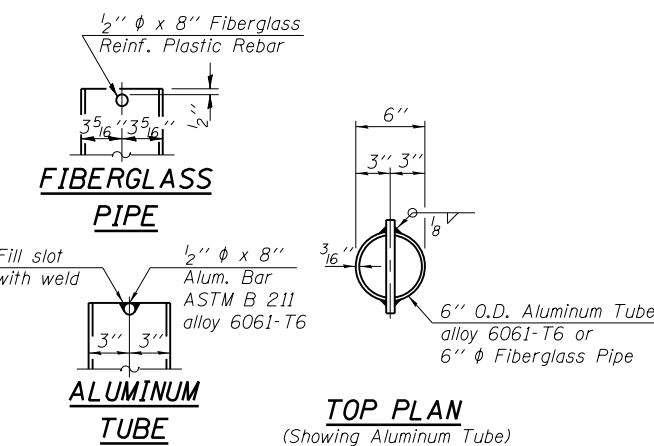
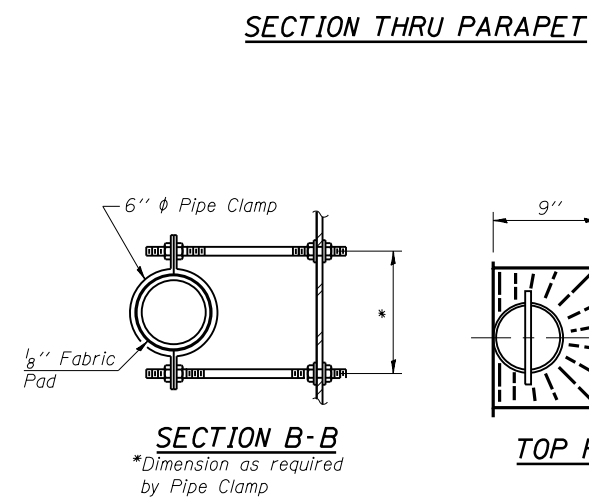
Bars indicated thus 1 x 2-#4 etc. indicates 1 line of bars with 2 lengths per line.



SECTION THRU PARAPET



PARAPET JOINT DETAILS



BAR s<sub>1</sub>(E)

**E** LIN ENGINEERING, LTD.  
Consulting Engineers  
Chatham, Illinois

Designed By: RH  
Date: Feb. 2010

Checked By: MTH  
File: 059-0512.dgn

Drawn By: RH

SHEET NO. 9 24 SHEETS	F.A.P. RTE. 608	SECTION 122B-2	COUNTY MACOUPIN	TOTAL SHEETS 53	SHEET NO. 27
	CONTRACT NO. 72B53				
ILLINOIS FED. AID PROJECT					