

GENERAL NOTES

Reinforcement bars shall conform to the requirements of ASTM A 706 Gr 60. See Special Provisions.

Layout of Slope protection system may be varied in the field to suit ground conditions as directed by the Engineer.

Reinforcement bars designated (E) shall be epoxy coated.

The Contractor is advised that the existing PPC Deck Beams are in a deteriorated condition with reduced load carrying capacity. It is the Contractor's responsibility to account for the condition of the beams when developing construction procedures for removal and replacement of the Superstructure.

If the Contractor's procedure for existing beam removal or placement of new beams involves placement of heavy equipment on the existing beams, a detailed procedure shall be submitted to the Engineer for approval. The procedure shall include calculations, sealed by an Illinois Licensed Structural Engineer, verifying the structural adequacy of the beams for the proposed loads. Cost included with removal of Existing Structures.

Silpforming of the concrete parapet is not allowed.

In lieu of the hammer selection criteria and use of the FHWA Modified Gates formula specified in Section 512 of the Standard Specifications, the Contractor shall conduct a wave equation analysis to establish the driving criteria at all pile foundations which specify a nominal required bearing above 600 kips. The analysis and calculations shall be submitted to the Engineer for approval.

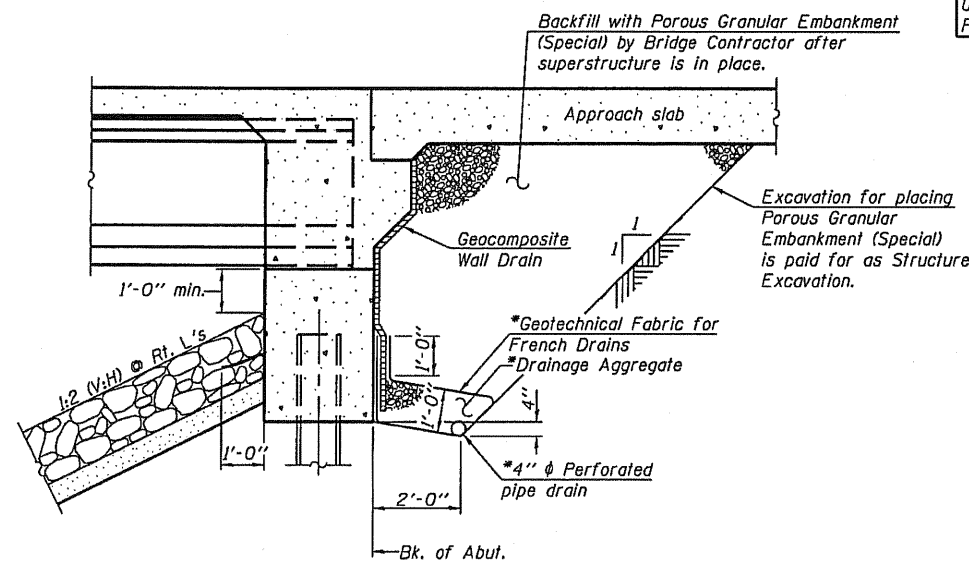
STATE OF ILLINOIS
DEPARTMENT OF TRANSPORTATION

TOTAL BILL OF MATERIAL

ITEM	UNIT	SUPER	SUB	TOTAL
Removal of Existing Structures	Each	-	-	1
Porous Granular Embankment, (Special)	Cu. Yd.	-	161	161
Structure Excavation	Cu. Yd.	-	325	325
Pipe Underdrains for Structures, 4"	Foot	-	155	155
Geocomposite Wall Drain	Sq. Yd.	-	111	111
Stone Riprap, Class A4	Sq. Yd.	-	1409	1409
Filter Fabric	Sq. Yd.	-	1409	1409
Concrete Superstructure	Cu. Yd.	328.1	-	328.1
Concrete Structures	Cu. Yd.	-	134.4	134.4
Protective Coat	Sq. Yd.	680	-	680
Concrete Encasement	Cu. Yd.	-	7.5	7.5
Furnishing and Erecting Precast Prestressed Concrete I Beams, 42"	Foot	828.5	-	828.5
Reinforcement Bars, Epoxy Coated	Pound	86,760	15,660	102,420
Temporary Soil Retention System	Sq. Ft.	-	1106	1106
Name Plates	Each	1	-	1
Bridge Deck Grooving	Sq. Yd.	531	-	531
Bar Splicers	Each	704	67	771
Furnishing Steel Piles HP12x53	Foot	-	500	500
Furnishing Steel Piles HP14x89	Foot	-	250	250
Driving Piles	Foot	-	750	750
Test Pile Steel HP12x53	Each	-	2	2
Test Pile Steel HP14x89	Each	-	1	1
Mechanical Splicers	Each	-	24	24
Asbestos Bearing Pad Removal	Each	44	-	44
Underwater Structure Excavation Protection - Location 1	Each	-	1	1

INDEX OF SHEETS

1. General Plan and Elevation
2. General Data
3. Stage Construction Details
4. Temporary Concrete Barrier
5. Top of Slab Elevations
6. Top of Slab Elevations
7. Top of North Approach Slab Elevations
8. Top of South Approach Slab Elevations
9. Superstructure
10. Superstructure Details
11. Diaphragm Details
12. Diaphragm Details
13. Framing Plan
14. Span 1-42" PPC I-Beam
15. Span 1 Beam Details
16. Span 2-42" PPC I-Beam
17. Span 2 Beam Details
18. North Abutment
19. South Abutment
20. Pier
21. Bridge Approach Slab Details
22. Bridge Approach Slab Details
23. HP-Pile Details
24. Bar-Splicer Assembly Details
25. Soil Boring Logs
26. Soil Boring Logs



SECTION THRU INTEGRAL ABUTMENT
(Horiz. dim. @ Rt. L's)

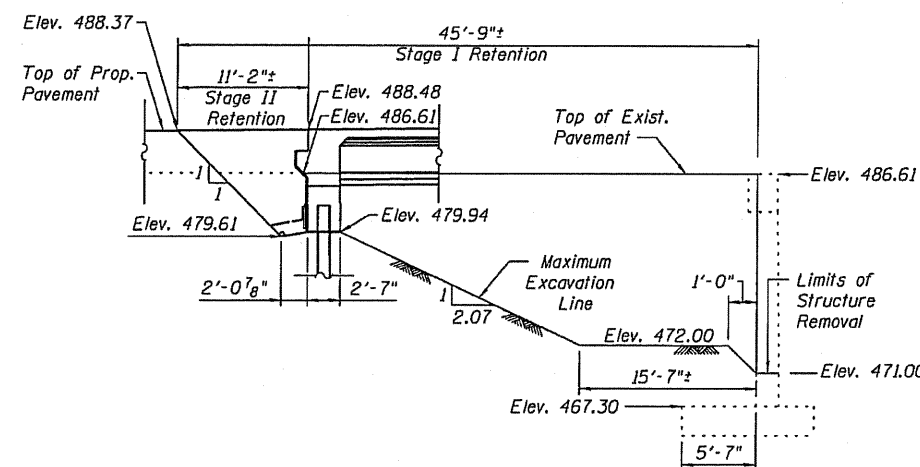
*Included in the cost of Pipe Underdrains for Structures, 4".

Note:

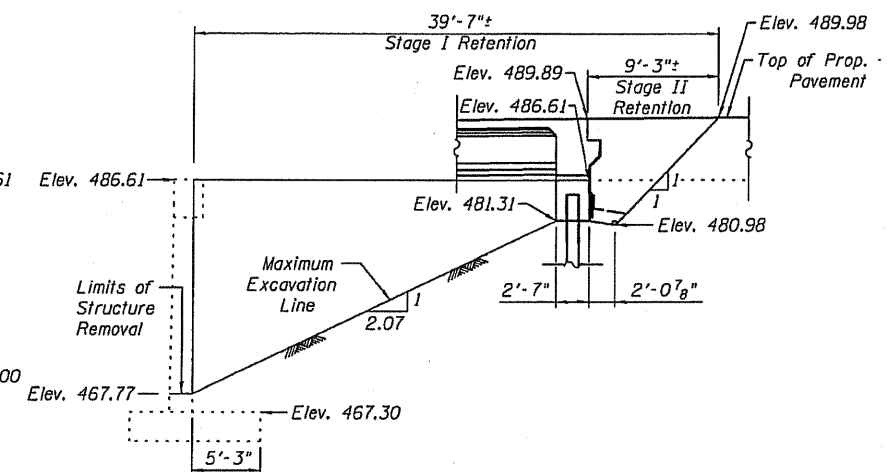
All drainage system components shall extend to 2'-0" from the end of each wingwall except an outlet pipe shall extend until intersecting with the side slopes. The pipes shall drain into concrete headwalls. (See Article 601.05 of the Standard Specifications and Highway Standard 60110).

DESIGNED	C.M.W.
CHECKED	J.S.A.
DRAWN	T.J.W.
CHECKED	C.M.W.

HE
HOELSCHER ENGINEERING
Fairview Heights, IL
Springfield, IL
Champaign, IL



TEMPORARY SOIL RETENTION SYSTEM-N. ABUT.
(Looking East)



TEMPORARY SOIL RETENTION SYSTEM-S. ABUT.
(Looking East)

A cantilevered sheet piling design does not appear feasible and additional members or other retention systems may be necessary. The Contractor shall submit a temporary soil retention system design including plan details and calculations for review and acceptance by the Engineer. All horizontal dimensions are given along centerline of roadway.

GENERAL DATA
STRUCTURE NO. 086-0505

SHEET NO. 2 of 26 SHEETS	F.A.P. RTE.	SECTION	COUNTY	TOTAL SHEETS	SHEET NO.
	566	1(B-2)	SCOTT	77	29
	CONTRACT NO. 72B91				
FED. ROAD DIST. NO. - ILLINOIS FED. AID PROJECT					