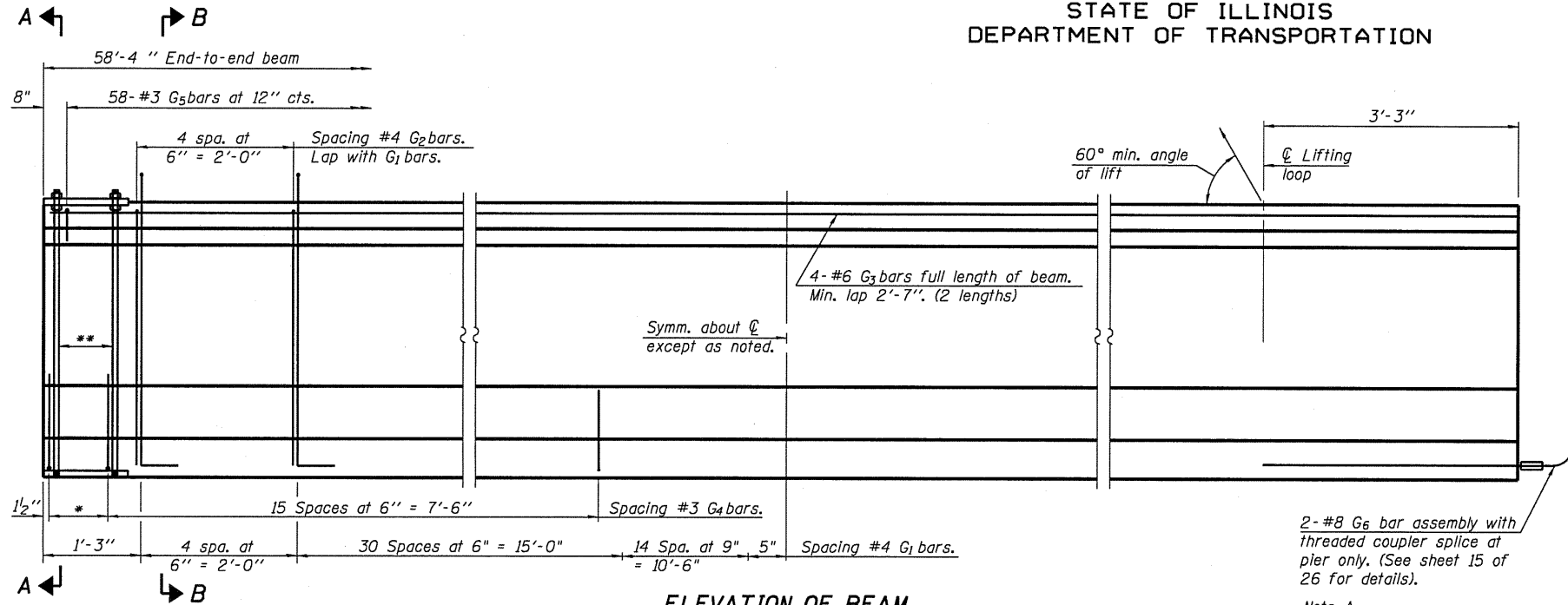


STATE OF ILLINOIS
DEPARTMENT OF TRANSPORTATION

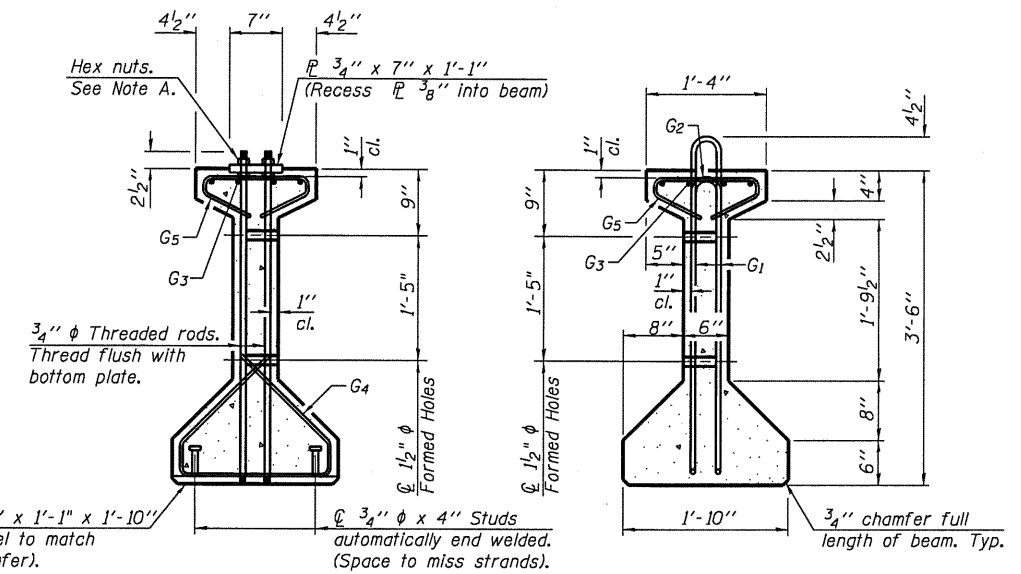


ELEVATION OF BEAM
(Showing reinforcement & dimensions)

*3 spaces at 3" = 9".
**4-3/4" ϕ threaded dowel rods at 3" cts., Each Face.

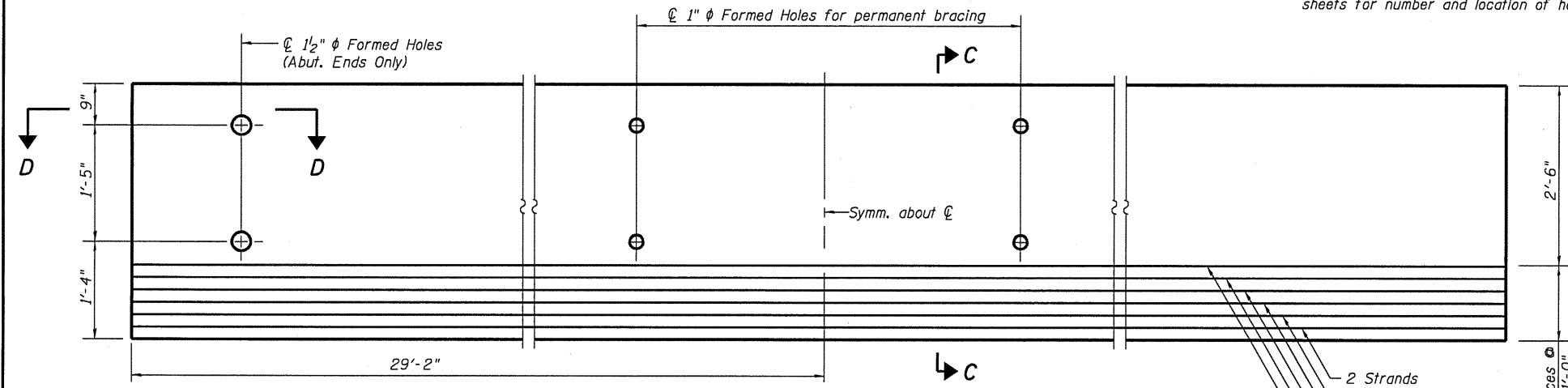
2-#8 G6 bar assembly with threaded coupler splice at pier only. (See sheet 15 of 26 for details).
Note A:
Hex nuts (top and bottom) with lock washers (top). Only tighten sufficiently to compress lock washers.

****See Details on sheet 13 of 23 sheets for number and location of holes

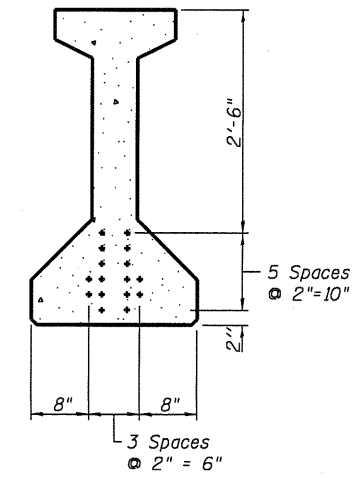


SECTION A-A

SECTION B-B



ELEVATION OF BEAM
(Showing prestressing steel)



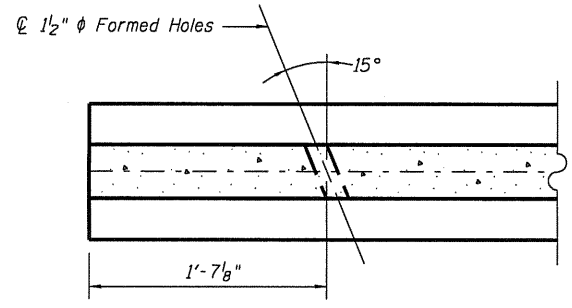
SECTION C-C

*****BAR LIST
ONE BEAM ONLY**

| Bar | No. | Size | Length | Shape |
|-----|-----|------|--------|-------|
| G1 | 98 | #4 | 8'-5" | ⊓ |
| G2 | 10 | #4 | 6'-8" | ⊓ |
| G3 | 8 | #6 | 30'-6" | ⊓ |
| G4 | 38 | #3 | 4'-11" | ⊓ |
| G5 | 58 | #3 | 2'-6" | ⊓ |
| G6 | 2 | #8 | 6'-6" | ⊓ |

***For information only

Notes:
See sheet 15 of 26 for additional details and Bill of Material.
Required release strength, f'cl, shall be 6000 psi.



SECTION D-D

| | |
|----------|--------|
| DESIGNED | C.M.W. |
| CHECKED | J.S.A. |
| DRAWN | T.J.W. |
| CHECKED | C.M.W. |

HOELSCHER ENGINEERING
Fairview Heights, IL
Springfield, IL
Champaign, IL

**SPAN 1
42" PPC I-BEAM
STRUCTURE NO. 086-0505**

| | | | | | |
|---------------------------------|-------------|---------------------------|--------|--------------------|-----------|
| SHEET NO. 14 of 26 SHEETS | F.A.P. RTE. | SECTION | COUNTY | TOTAL SHEETS | SHEET NO. |
| | 566 | 1(B-2) | SCOTT | 77 | 41 |
| FED. ROAD DIST. NO. | | ILLINOIS FED. AID PROJECT | | CONTRACT NO. 72B91 | |