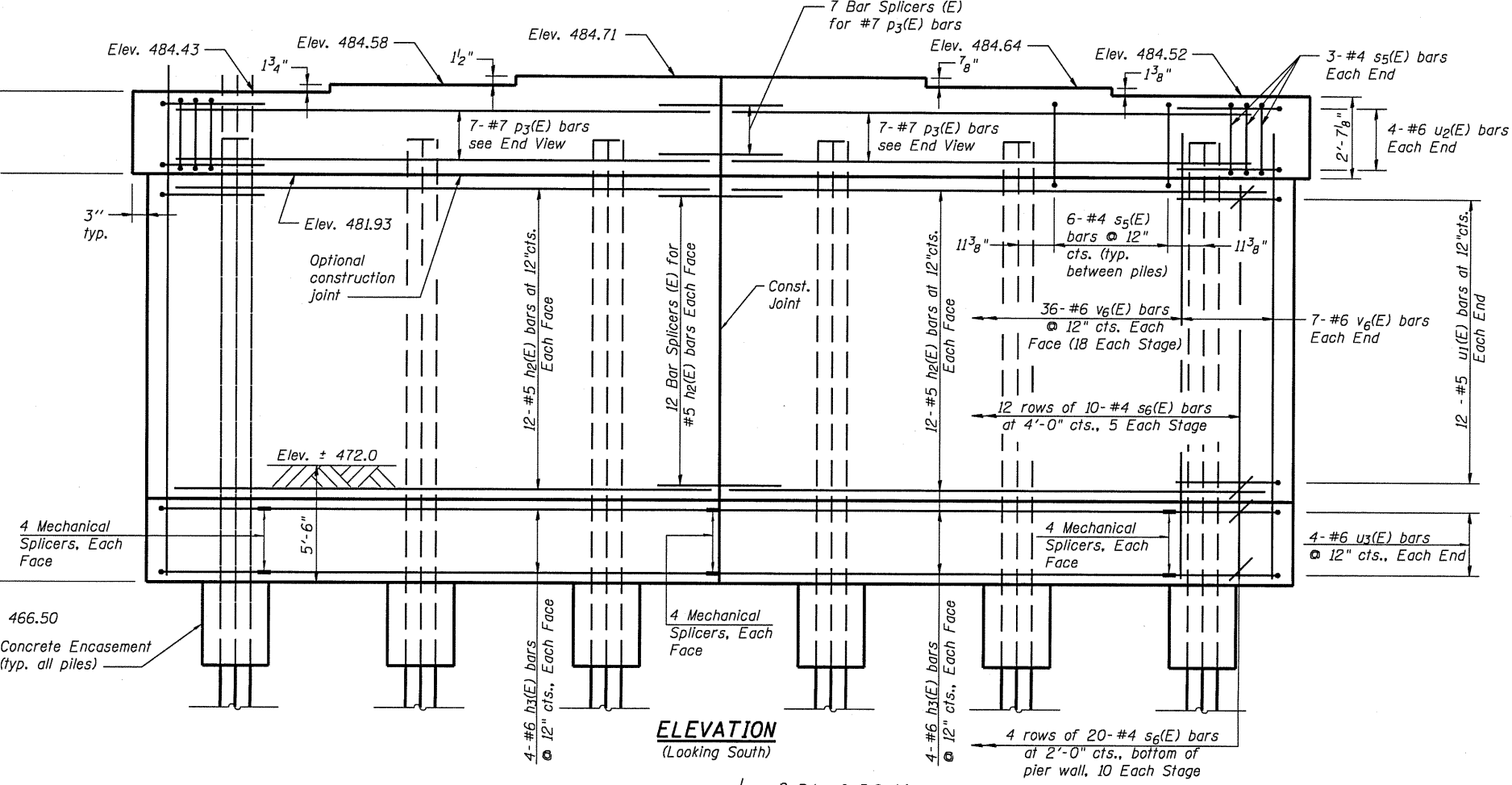
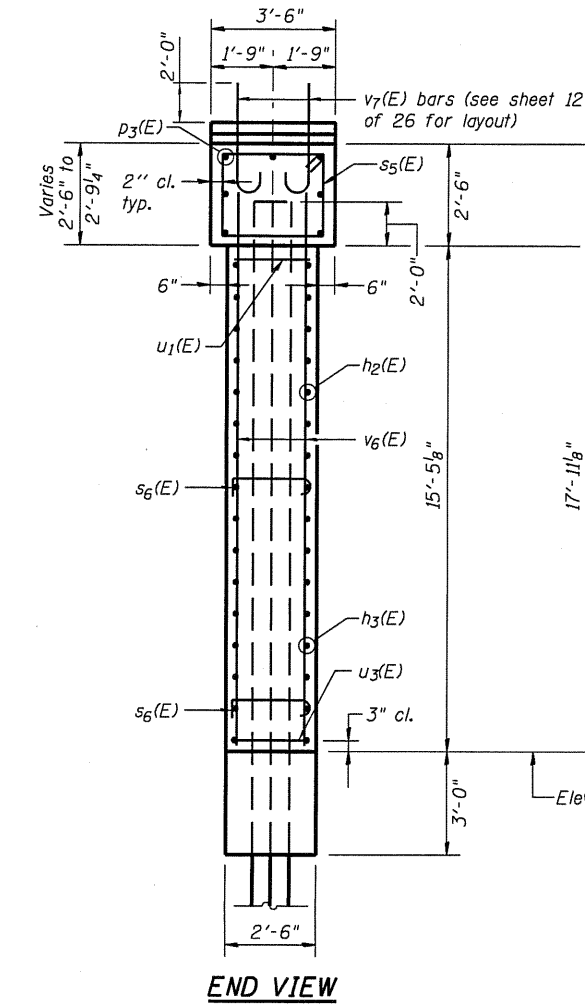
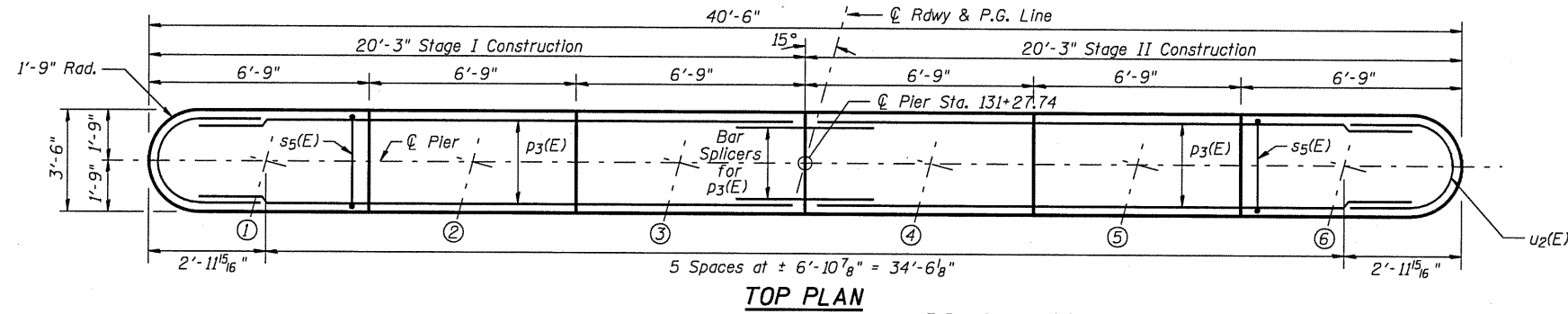
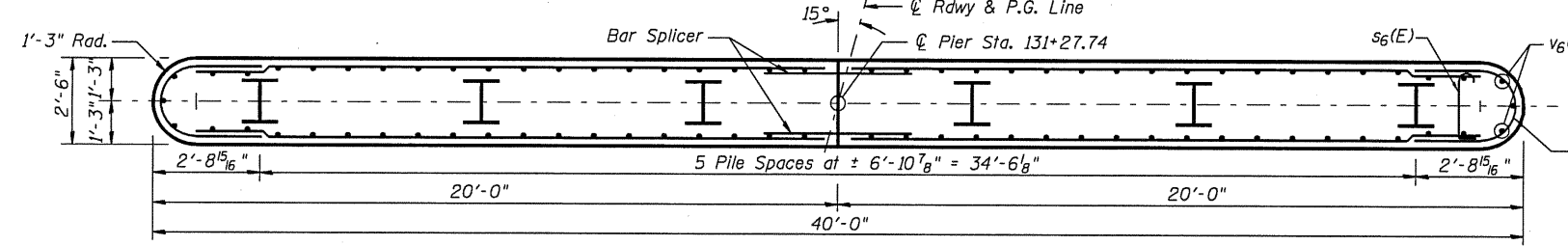


Notes:
 Space reinforcement in cap to miss anchor bolts.
 Pour steps monolithically with cap.
 For details of piles, see sheet 23 of 26.

STATE OF ILLINOIS
 DEPARTMENT OF TRANSPORTATION

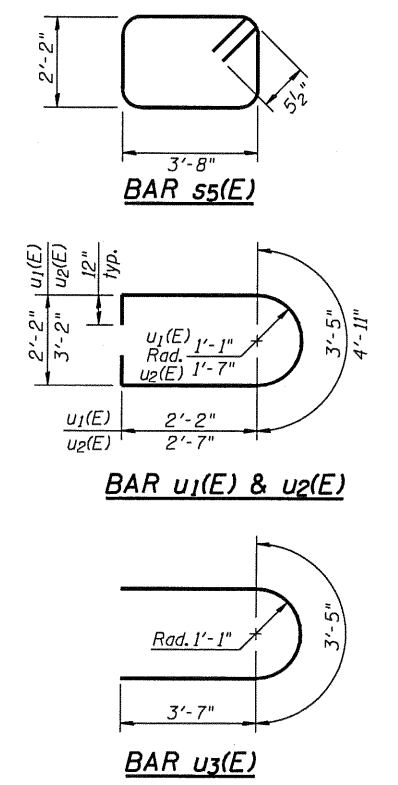


PILE DATA
 Type: HP 14x89
 Nominal Required Bearing: 705 kips
 Factored Resistance Available: 375 kips
 Est. Length: 50 ft.
 No. Production Piles: 5 piles
 No. Test Piles: 1 pile



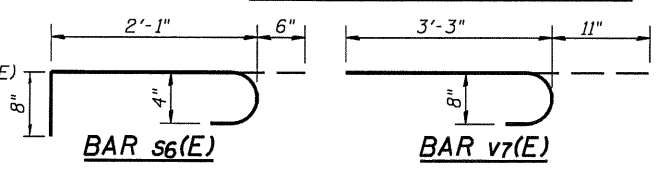
DESIGNED	C.M.W.
CHECKED	J.S.A.
DRAWN	T.J.W.
CHECKED	C.M.W.

HOELSCHER ENGINEERING
 Fairview Heights, IL
 Springfield, IL
 Champaign, IL



BILL OF MATERIAL

Bar	No.	Size	Length	Shape
h ₂ (E)	48	#5	18'-7"	—
h ₃ (E)	16	#6	15'-2"	—
p ₃ (E)	14	#7	18'-4"	—
s ₅ (E)	36	#4	10'-7"	□
s ₆ (E)	200	#4	3'-3"	J
u ₁ (E)	24	#5	9'-9"	U
u ₂ (E)	8	#6	12'-1"	U
u ₃ (E)	8	#6	10'-7"	U
v ₆ (E)	86	#6	17'-0"	—
v ₇ (E)	32	#8	4'-2"	J
Structure Excavation			Cu. Yd.	58
Concrete Structures			Cu. Yd.	70.6
Reinforcement Bars, Epoxy Coated			Pound	7,980
Furnishing Steel Piles, HP 14x89			Foot	250
Driving Piles			Foot	250
Test Pile, Steel HP 14x89			Each	1
Concrete Encasement			Cu Yd	3.3
Underwater Structure Exc. Protection Loc. 1			Each	1



PIER STRUCTURE NO. 086-0505

SHEET NO. 20 of 26 SHEETS	F.A.P. RTE.	SECTION	COUNTY	TOTAL SHEETS	SHEET NO.
	566	1(B-2)	SCOTT	77	47
FED. ROAD DIST. NO.			ILLINOIS FED. AID PROJECT		
CONTRACT NO. 72B91					