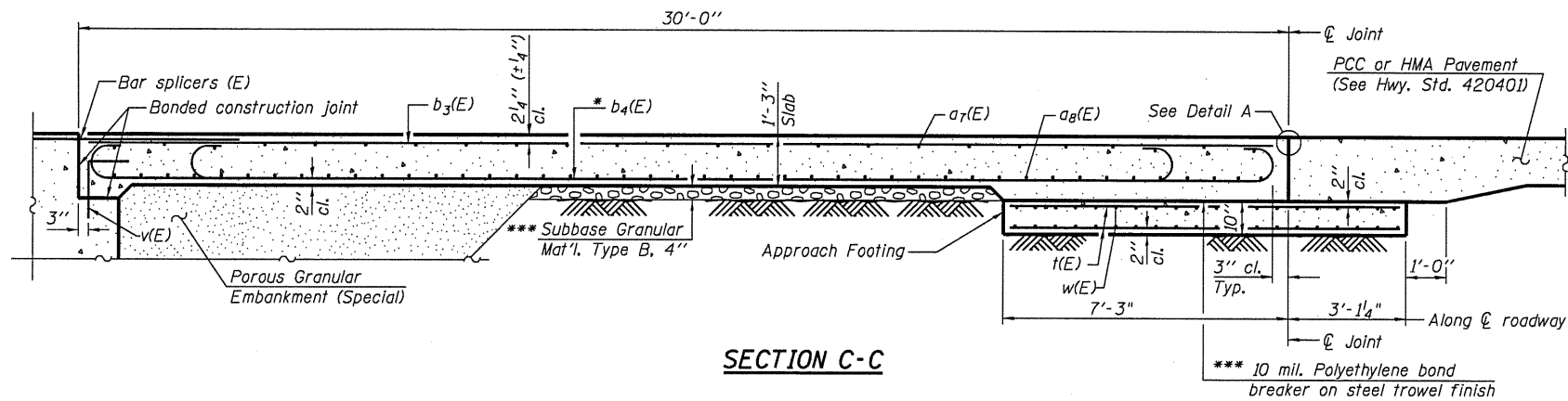
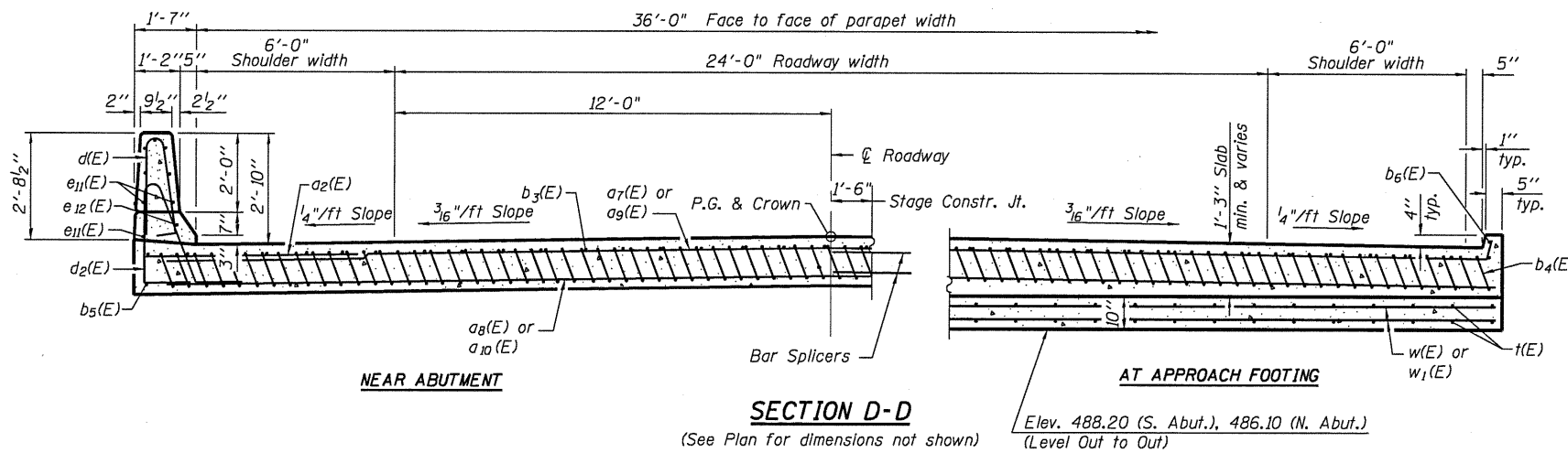


STATE OF ILLINOIS
DEPARTMENT OF TRANSPORTATION

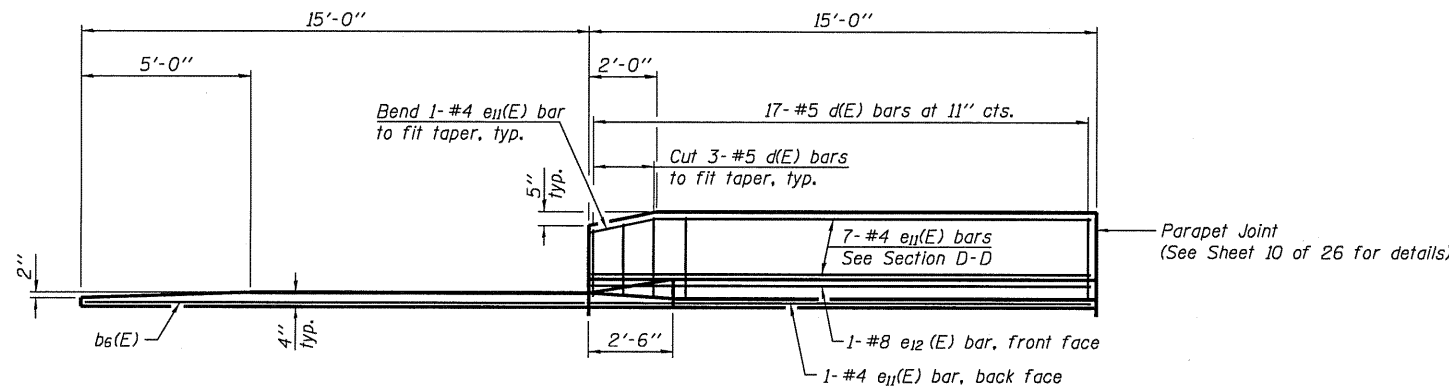
Notes:
See sheet 21 of 26 for Detail A and View B-B.
Approach slab and parapet concrete shall be paid for as Concrete Superstructure.
Approach footing concrete shall be paid for as Concrete Structures.
Reinforcement shall be paid for as Reinforcement Bars, Epoxy Coated.
For v(E) bar details, see sheet 10 of 26.
The approach footing maximum applied service bearing pressure (Qmax) = 2.0 ksf.
For bar splicer details, see sheet 24 of 26.
Cost of excavation for approach footing included with Concrete Structures.
For Porous Granular Embankment (Special) and drainage treatment details, see sheet 2 of 26.
For additional parapet details, see sheet 10 of 26.



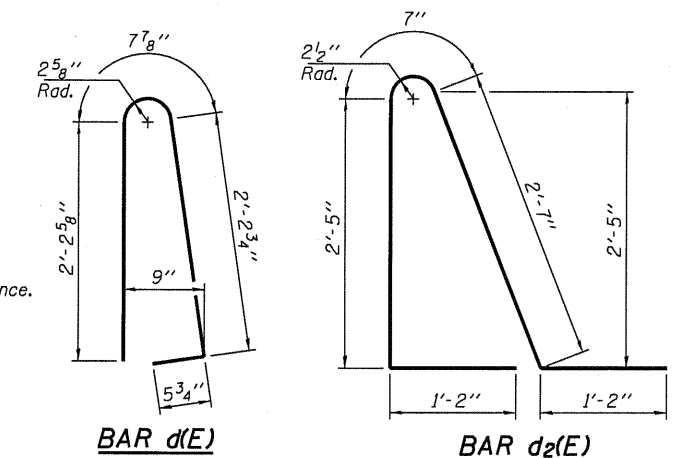
SECTION C-C



SECTION D-D



VIEW E-E



* Tilt #9 b4(E) bars as required to maintain clearance.
*** Cost included with Concrete Superstructure.

TWO APPROACHES
BILL OF MATERIAL

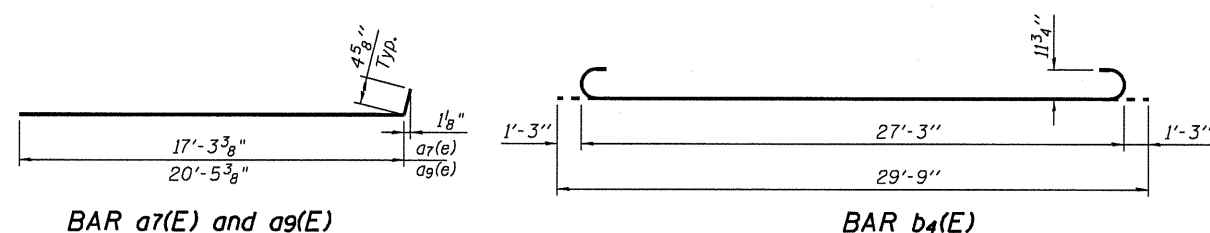
Bar	No.	Size	Length	Shape
a2(E)	48	#6	6'-6"	—
a7(E)	50	#4	17'-10"	—
a8(E)	92	#5	17'-8"	—
a9(E)	50	#4	20'-10"	—
a10(E)	92	#5	20'-10"	—
b3(E)	60	#4	29'-8"	—
b4(E)	180	#9	29'-9"	—
b5(E)	4	#4	14'-8"	—
b6(E)	4	#4	14'-4"	—
d(E)	68	#5	5'-7"	U
d2(E)	68	#5	7'-11"	U
e11(E)	32	#4	14'-8"	—
e12(E)	4	#8	14'-8"	—
f(E)	164	#4	10'-0"	—
w(E)	80	#5	17'-8"	—
w1(E)	80	#5	20'-10"	—
Concrete Superstructure		Cu. Yd.	120.1	
Concrete Structures		Cu. Yd.	23.8	
Reinforcement Bars, Epoxy Coated		Pound	30,660	

(Sheet 2 of 2)

BRIDGE APPROACH SLAB DETAILS
STRUCTURE NO. 086-0505

DESIGNED	C.M.W.
CHECKED	J.S.A.
DRAWN	T.J.W.
CHECKED	C.M.W.

HOELSCHER ENGINEERING
Fairview Heights, IL
Springfield, IL
Champaign, IL



SHEET NO. 22 of 26 SHEETS	F.A.P. RTE.	SECTION	COUNTY	TOTAL SHEETS	SHEET NO.
	566	1(B-2)	SCOTT	77	49
FED. ROAD DIST. NO.		ILLINOIS FED. AID PROJECT		CONTRACT NO. 72B91	