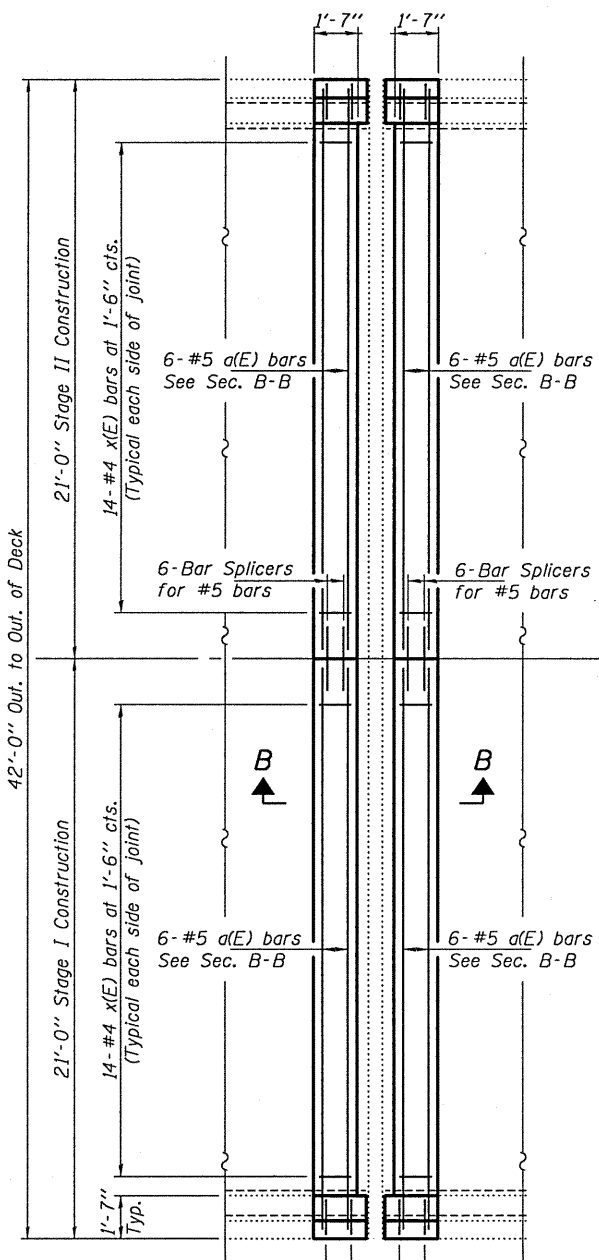


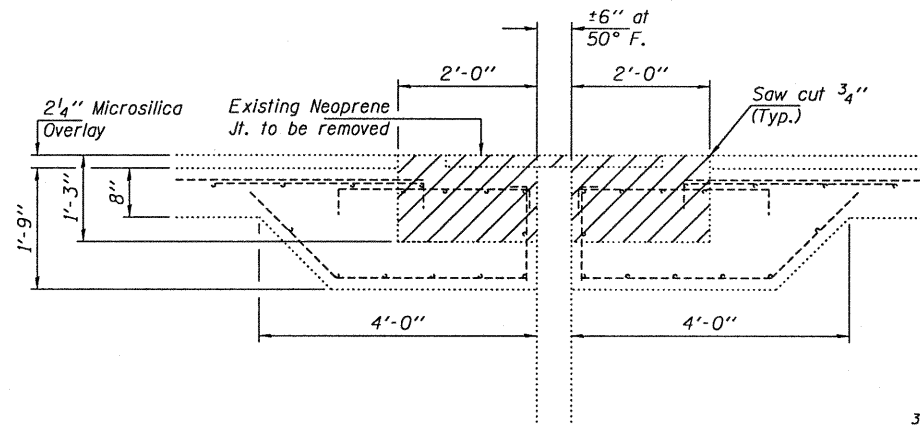
REMOVAL PLAN AT HINGE "A"



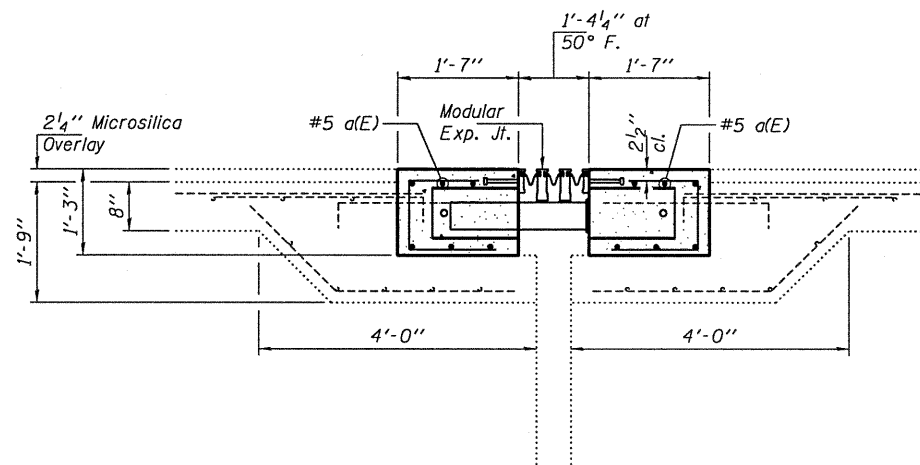
CONCRETE PLAN AT HINGE "A"

Note:
 Hatched areas indicate concrete sections to be removed and replaced. Perimeters of concrete removal areas shall be saw cut $\frac{3}{4}$ " prior to the removal of concrete.
 The Modular Expansion Joint at Hinge "A" shall have a total movement capability of $12\frac{1}{2}$ ".
 See sheet 4 of 9 for Parapet Details & d1(E) bars.
 In reference to Article 520.04 of the Standard Specifications, the expansion length handled by Hinge "A" located adjacent to Pier 3 is 968 feet. The expansion length handled by Hinge "A" located adjacent to Pier 6 is 871 feet.

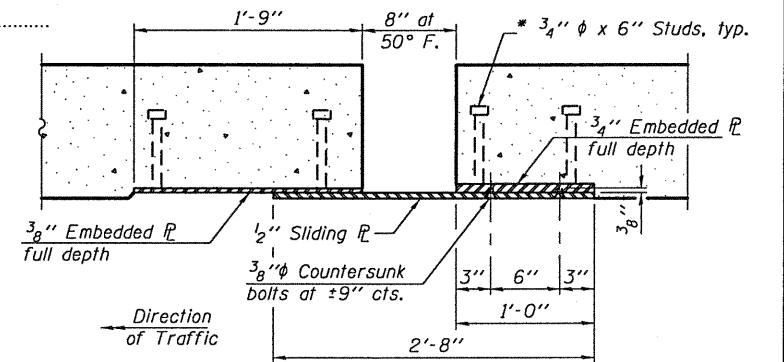
* Dimension for Modular Expansion Joint at 50°F.



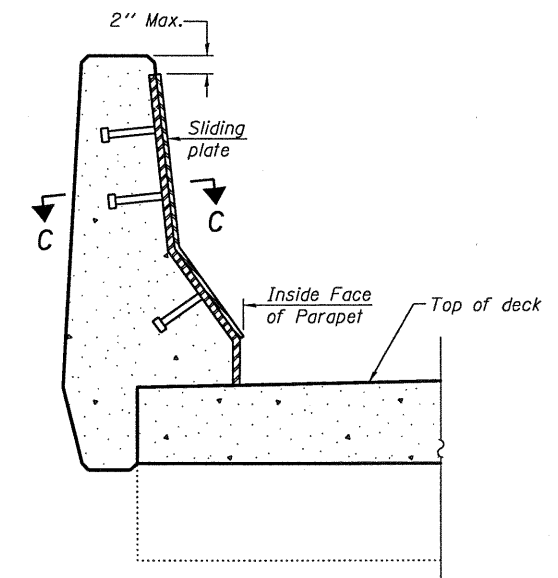
SECTION A-A



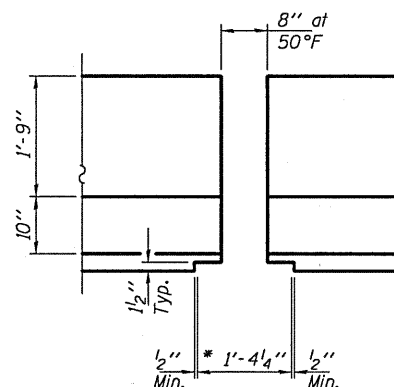
SECTION B-B



SECTION C-C

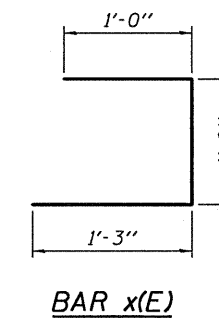


SECTION THRU PARAPET
(at Modular Joints)



PARAPET ELEVATION

(Sliding R's not shown for clarity)
 Cost of sliding plates are included in the Modular Expansion Joint pay item.



BAR x(E)

HINGE "A"
 BILL OF MATERIAL

Bar	No.	Size	Length	Shape
a(E)	48	#5	20'-2"	—
d(E)	24	#4	2'-9"	—
d1(E)	24	#5	6'-1"	⊔
x(E)	112	#4	3'-3"	⊔
Concrete Removal			Cu. Yd.	17.4
Concrete Superstructure			Cu. Yd.	14.0
Reinforcement Bars, Epoxy Coated			Pound	1450
Modular Expansion Joint, 12"			Foot	84

DESIGNED - MKC
 CHECKED - GGE
 DRAWN - Kyle M. Steffen
 CHECKED - MKC GGE

EXAMINED *Carl Perry*
 ENGINEER OF STRUCTURAL SERVICES
 PASSED *Ralph E. Anderson*
 ENGINEER OF BRIDGES AND STRUCTURES

DATE - SEPTEMBER 27, 2010

STATE OF ILLINOIS
 DEPARTMENT OF TRANSPORTATION

JOINT REMOVAL & REPLACEMENT DETAILS AT HINGE "A"
 SN 075-0122 (E.B.)

SHEET NO. 2 OF 9 SHEETS

F.A.I. RTE.	SECTION	COUNTY	TOTAL SHEETS	SHEET NO.
72	(75, 86)JR	PIKE	13	6
				CONTRACT NO. 72081
[ILLINOIS] FED. AID PROJECT				