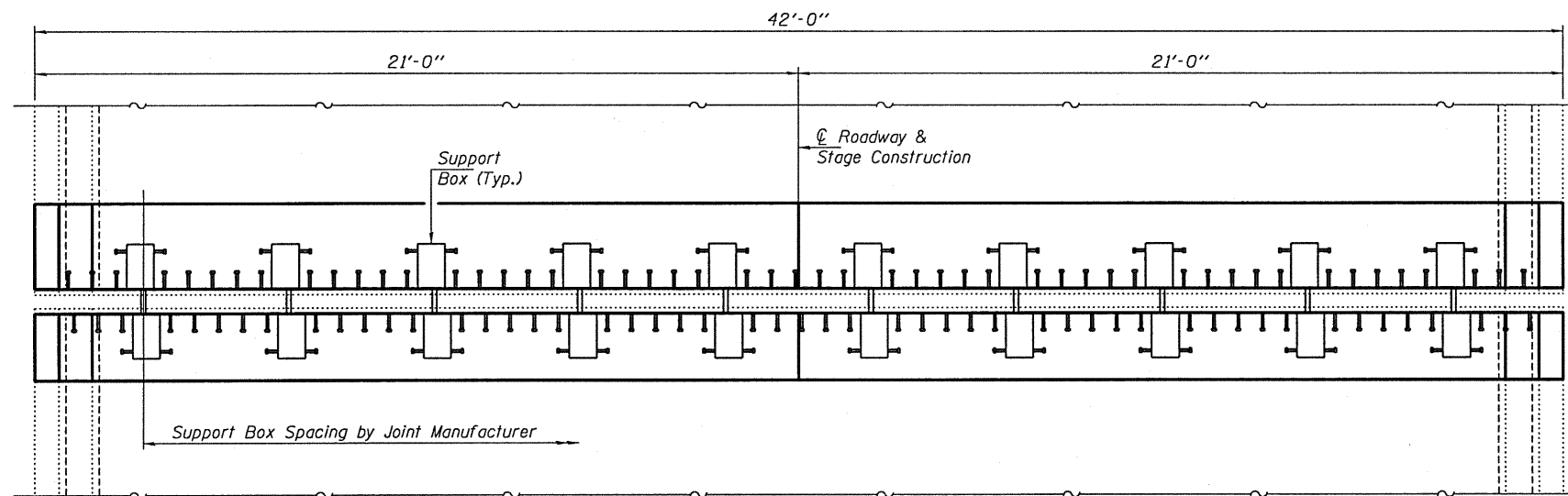


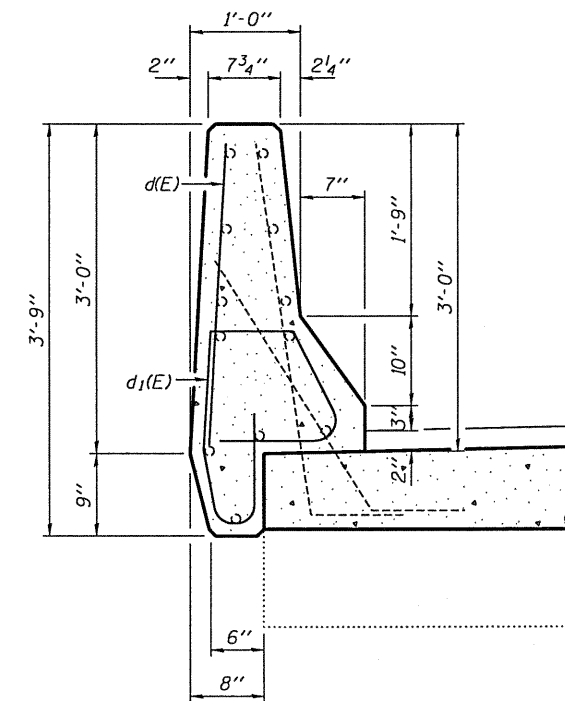
PLAN AT HINGE "A"

Reinforcement not shown for clarity.
See sheet 2 of 9 for Reinforcement details.

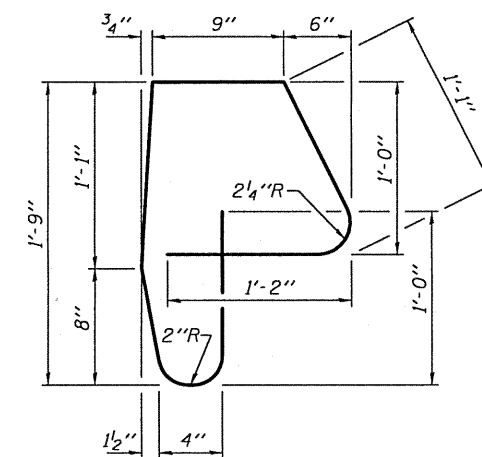


PLAN AT HINGE "B"

Reinforcement not shown for clarity.
See sheet 3 of 9 for Reinforcement details.



TYPICAL PARAPET DETAILS



BAR d₁(E)

DESIGNED - MKC	EXAMINED <i>Carl Perry</i>	DATE - SEPTEMBER 27, 2010
CHECKED - GGE	ENGINEER OF STRUCTURAL SERVICES	
DRAWN - Kyle M. Steffen	PASSED <i>Ralph E. Anderson</i>	
CHECKED - MKC GGE	ENGINEER OF BRIDGES AND STRUCTURES	

DESIGNED - MKC	EXAMINED <i>Carl Perry</i>	DATE - SEPTEMBER 27, 2010
CHECKED - GGE	ENGINEER OF STRUCTURAL SERVICES	
DRAWN - Kyle M. Steffen	PASSED <i>Ralph E. Anderson</i>	
CHECKED - MKC GGE	ENGINEER OF BRIDGES AND STRUCTURES	

**STATE OF ILLINOIS
DEPARTMENT OF TRANSPORTATION**

**MODULAR EXPANSION JOINTS
SN 075-0122 (E.B.)**

SHEET NO. 4 OF 9 SHEETS

F.A.I. RTE.	SECTION	COUNTY	TOTAL SHEETS	SHEET NO.
72	(75, 86)BJR	PIKE	13	8
CONTRACT NO. 72081				
ILLINOIS FED. AID PROJECT				