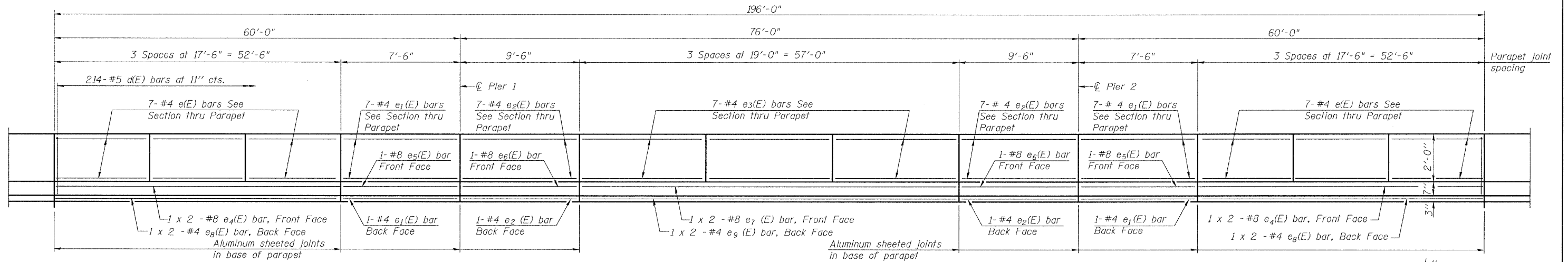


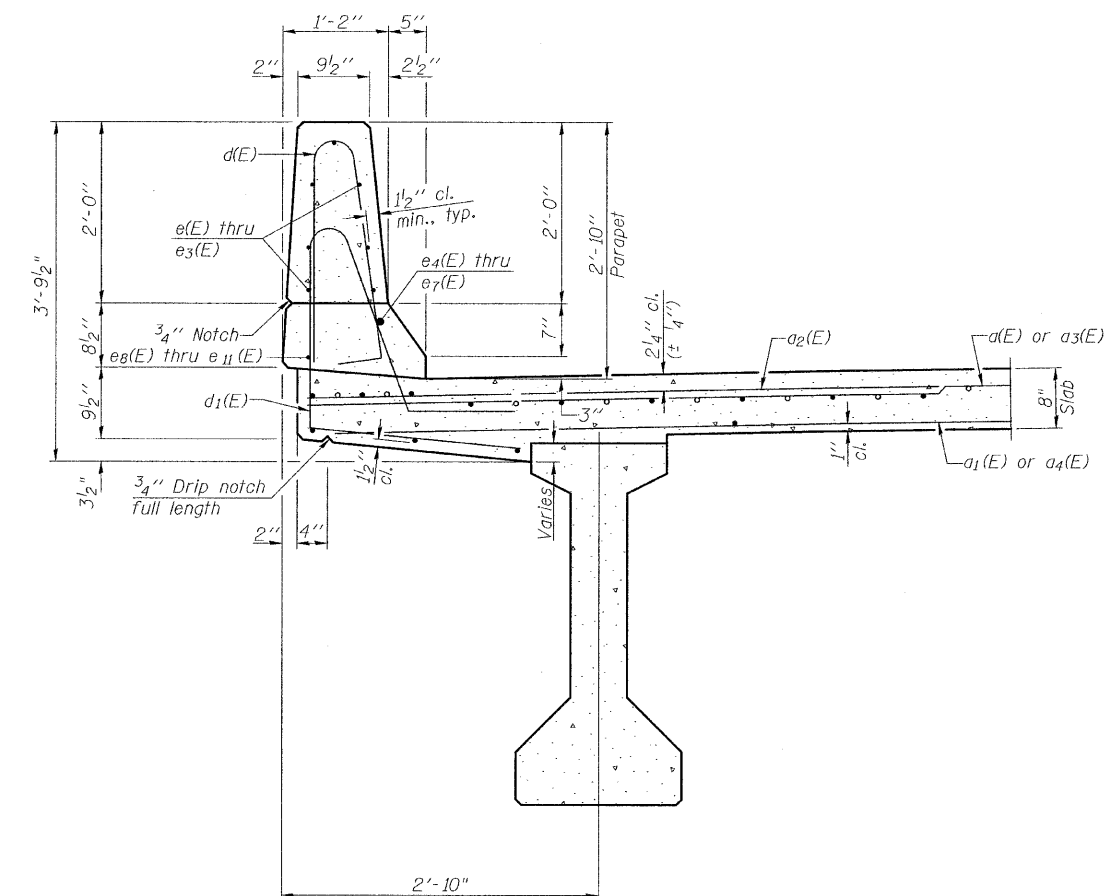
STATE OF ILLINOIS
DEPARTMENT OF TRANSPORTATION



INSIDE ELEVATION OF PARAPET

SUPERSTRUCTURE
BILL OF MATERIAL

Bar	No.	Size	Length	Shape
d(E)	294	#5	16'-3"	—
a ₁ (E)	235	#5	16'-0"	—
a ₂ (E)	588	#6	6'-6"	—
a ₃ (E)	294	#5	21'-10"	—
a ₄ (E)	235	#5	21'-5"	—
a ₅ (E)	4	#5	18'-0"	—
a ₆ (E)	4	#5	24'-0"	—
b(E)	294	#5	30'-2"	—
b ₁ (E)	148	#6	29'-3"	—
b ₂ (E)	180	#5	34'-9"	—
d(E)	428	#5	5'-7"	┌
d ₁ (E)	428	#5	7'-4"	┌
e(E)	84	#4	17'-0"	—
e ₁ (E)	32	#4	7'-0"	—
e ₂ (E)	32	#4	9'-0"	—
e ₃ (E)	42	#4	18'-6"	—
e ₄ (E)	8	#8	28'-7"	—
e ₅ (E)	4	#8	7'-0"	—
e ₆ (E)	4	#8	9'-0"	—
e ₇ (E)	4	#8	30'-10"	—
e ₈ (E)	8	#4	27'-0"	—
e ₉ (E)	4	#4	29'-3"	—
m(E)	10	#6	18'-4"	—
m ₁ (E)	28	#6	9'-7"	—
m ₂ (E)	36	#6	3'-10"	—
m ₃ (E)	4	#6	1'-7"	—
m ₄ (E)	72	#4	4'-8"	—
m ₅ (E)	14	#8	5'-10"	—
m ₆ (E)	10	#6	24'-6"	—
s(E)	72	#5	6'-10"	┌
s ₁ (E)	60	#4	12'-5"	┌
s ₂ (E)	48	#4	12'-3"	┌
v(E)	76	#5	3'-11"	┌
Reinforcement Bars, Epoxy Coated		Lbs.	61,380	
Concrete Superstructure		Cu. Yds.	309.4	
Bars Splicers		Each	565	



SECTION THRU PARAPET

MIN. BAR LAP

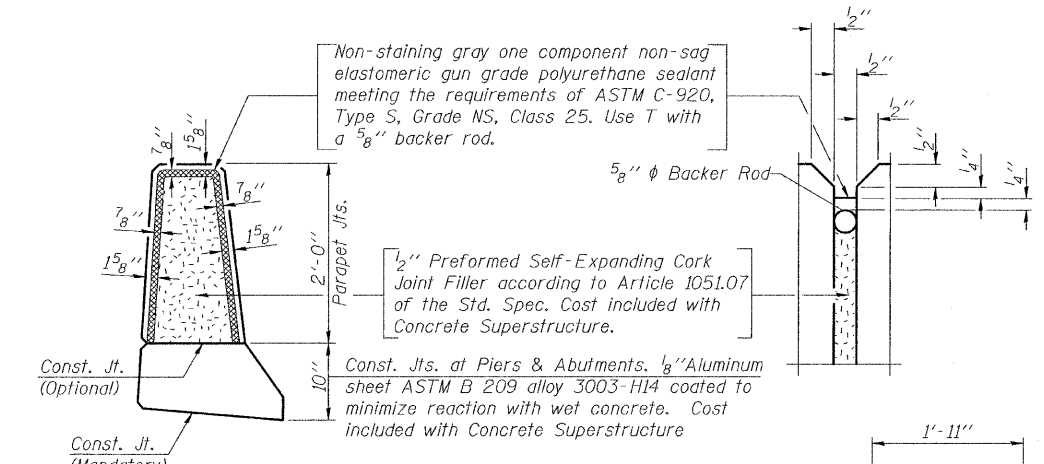
#4	2'-0"
#5	2'-6"
#6	3'-0"
#8	5'-2"

Bars indicated thus 1 x 2 - #5 etc. indicates 1 line of bars with 2 lengths per line.

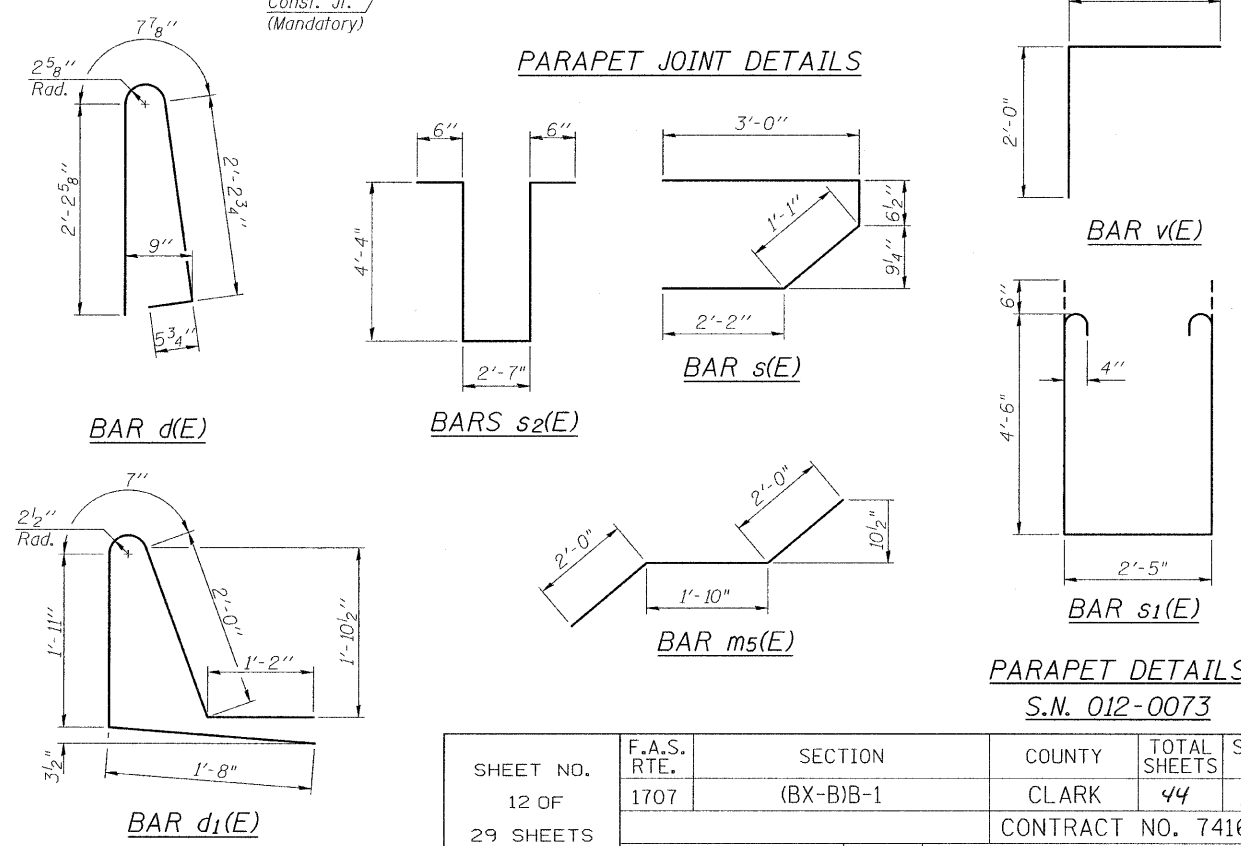
DESIGNED	SCD
CHECKED	DRB
DRAWN	THW
CHECKED	SCD



IE CONSULTANTS, INC
6420 SOUTH SIXTH STREET
SPRINGFIELD, ILLINOIS 62712
TEL. (217) 529-8027
FAX (217) 529-4543
IESPRINGFIELD@IE-CONSULTANTS.COM
WWW.IE-CONSULTANTS.COM



PARAPET JOINT DETAILS



PARAPET DETAILS
S.N. 012-0073

SHEET NO. 12 OF 29 SHEETS	F.A.S. RTE. 1707	SECTION (BX-B)B-1	COUNTY CLARK	TOTAL SHEETS 44	SHEET NO. 21
	CONTRACT NO. 74169				
FED. ROAD DIST. NO. _ ILLINOIS FED. AID PROJECT					