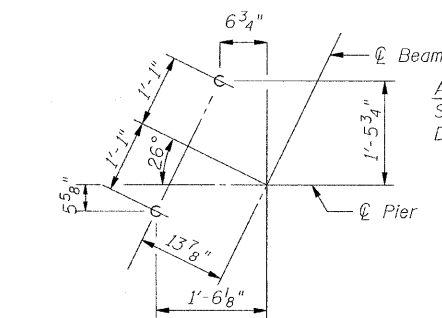


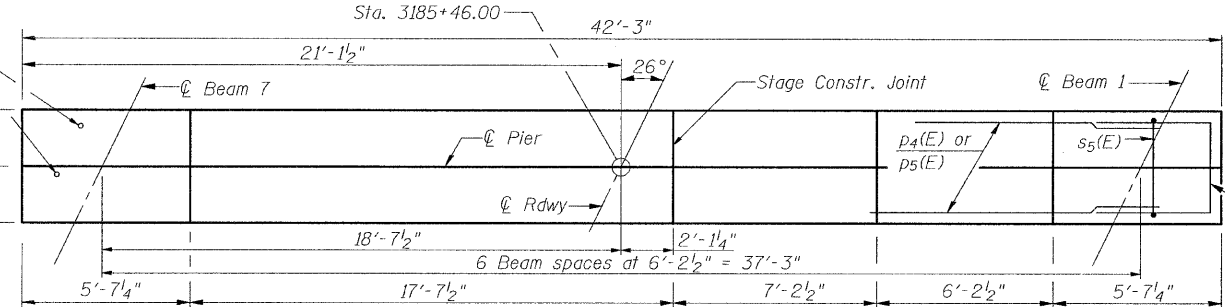
STATE OF ILLINOIS  
DEPARTMENT OF TRANSPORTATION



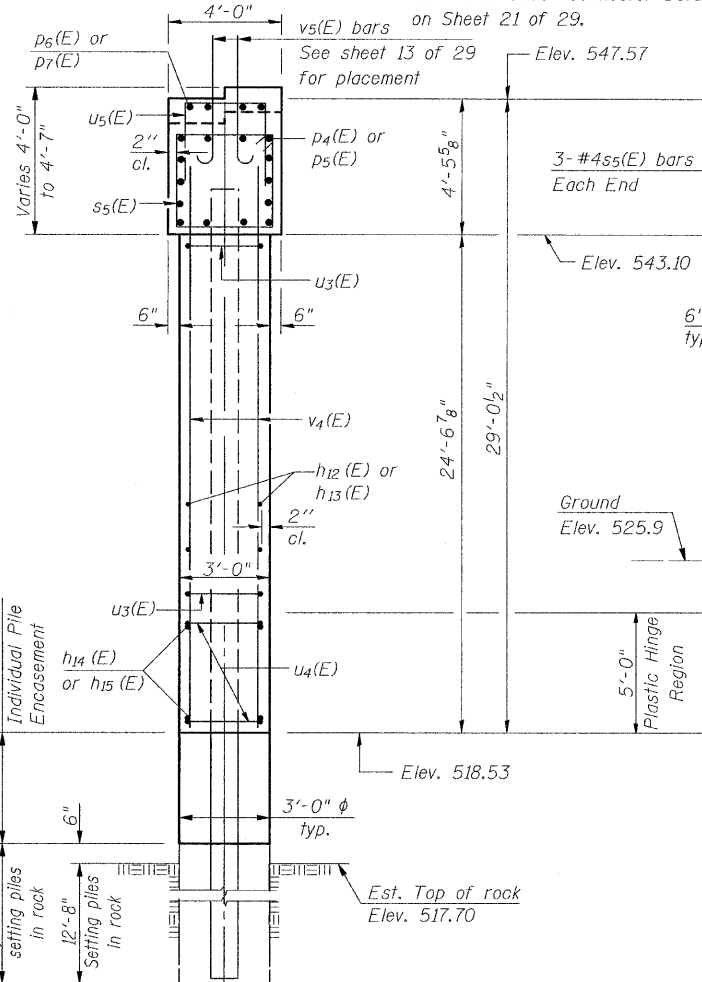
**ANCHOR BOLT LAYOUT DETAIL**

(Typical for beams 1 & 7 only)

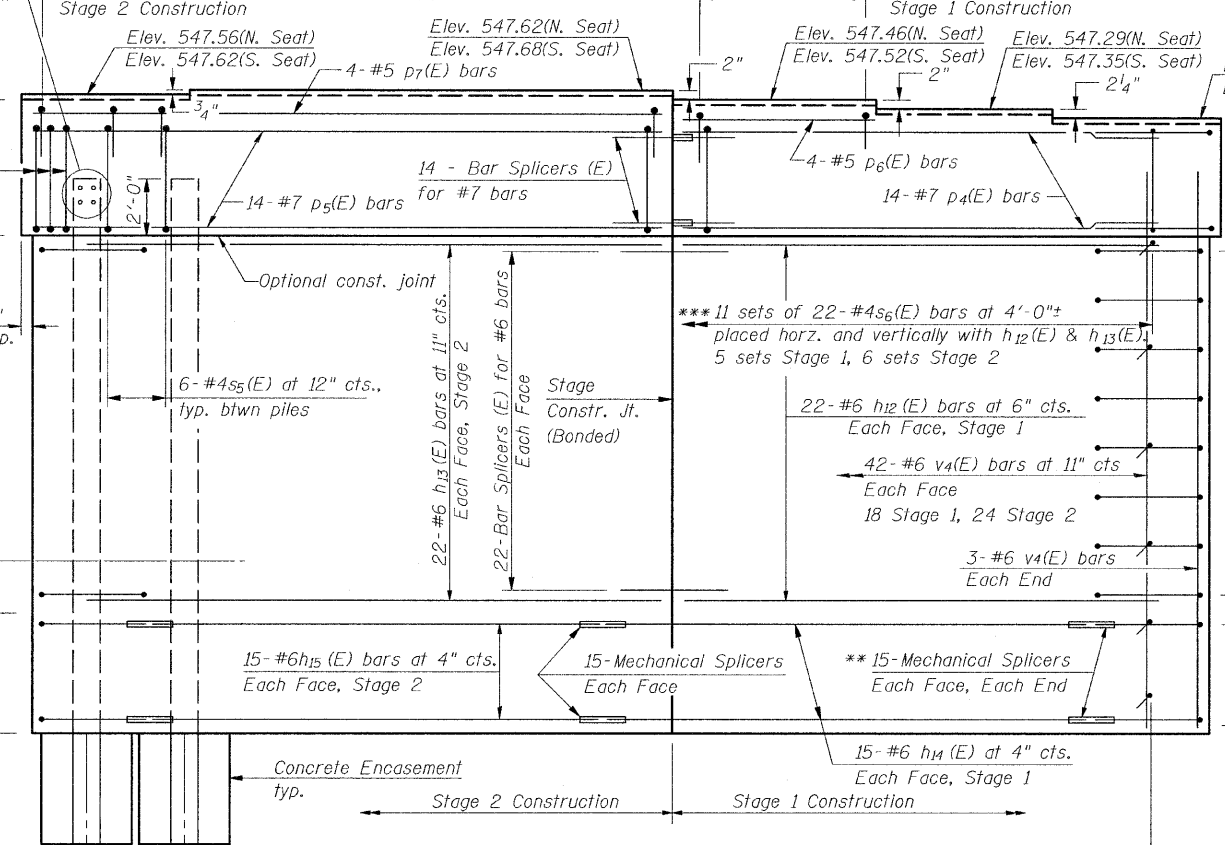
Stud Shear Connectors (typ.)  
See "Stud Shear Connector Detail"  
on Sheet 21 of 29.



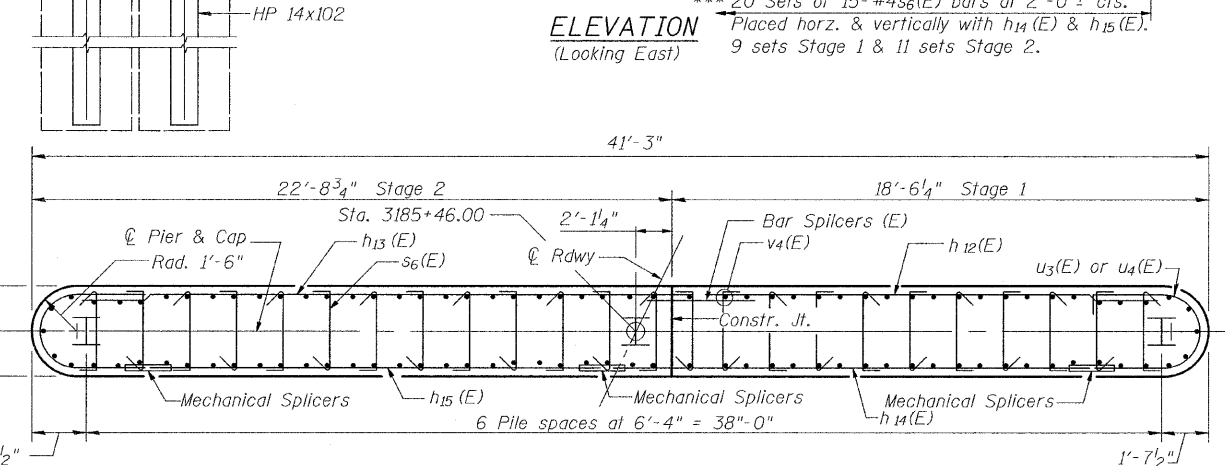
**TOP PLAN**



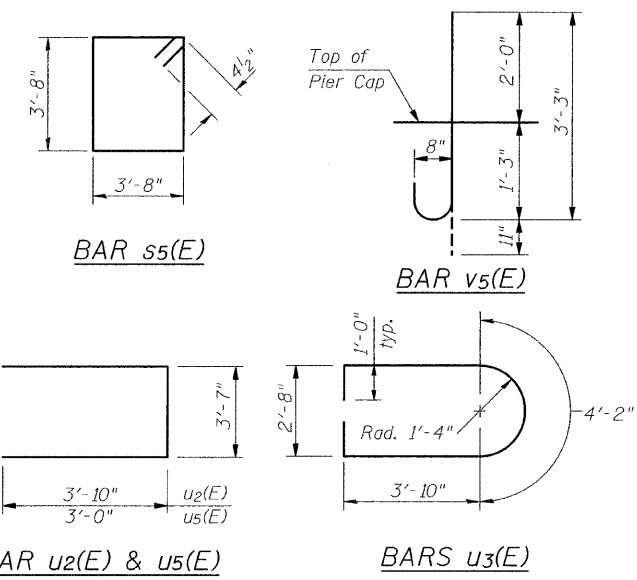
**END VIEW**



**ELEVATION**  
(Looking East)



**FOOTING PLAN**



**PIER 1 DETAILS**

**BILL OF MATERIAL**

Bar	No.	Size	Length	Shape
h <sub>12</sub> (E)	44	#6	17'-0"	—
h <sub>13</sub> (E)	44	#6	21'-3"	—
h <sub>14</sub> (E)	30	#6	16'-0"	—
h <sub>15</sub> (E)	30	#6	17'-2"	—
p <sub>4</sub> (E)	14	#7	18'-6"	—
p <sub>5</sub> (E)	14	#7	22'-8"	—
p <sub>6</sub> (E)	4	#5	6'-10"	—
p <sub>7</sub> (E)	4	#5	22'-8"	—
s <sub>5</sub> (E)	42	#4	15'-5"	□
s <sub>6</sub> (E)	542	#4	3'-8"	└
u <sub>2</sub> (E)	10	#6	11'-3"	└
u <sub>3</sub> (E)	44	#6	13'-10"	└
u <sub>4</sub> (E)	30	#6	9'-2"	└
u <sub>5</sub> (E)	30	#4	9'-7"	└
v <sub>4</sub> (E)	90	#6	27'-0"	—
v <sub>5</sub> (E)	36	#8	4'-2"	└

**PILE DATA**  
Type: HP 14x102  
Nominal Required Bearing: Set in rock  
Factored Resistance Available: 388 kips  
Est. Length: 41  
No. Production Piles: 7  
No. Test Piles: 0  
Est. Top of Rock Elev.: 517.70  
Rock Socket Depth: 12.67 ft.  
Rock Socket Dia.: 3.0 ft.

\* Conc. Encasement shall be measured from 6" above top of rock (3'-0" max.)

\*\*\* s<sub>6</sub>(E) bars shall be located at bar grid intersections, and the hooks of all ties shall enclose both horizontal and vertical bars at the intersections. The 90° hooks of adjacent s<sub>6</sub>(E) bars shall be alternated end-for-end.

\*\* Mechanical Splicer or Shop Weld Splice per AWS D1.4.

**Min. Bar Lap**

#4	2'-7"
#6	3'-10"

Notes:  
Space reinforcement in cap to miss anchor bolts. Pour steps monolithically with cap. For details of piles, see sheet 25 of 29. If a portion of the pier wall or concrete encasement is under water, reinforcement may be placed underwater into forms. Concrete shall be tremied according to Article 503.08 of the Standard Specifications for an elevation of 1'-0" above the water line at the time of construction.

DESIGNED	SCD
CHECKED	DRB
DRAWN	THW
CHECKED	SCD

**ie** consultants  
IE CONSULTANTS, INC  
6420 SOUTH SIXTH STREET  
SPRINGFIELD, ILLINOIS 62712  
TEL. (217) 529-8027  
FAX (217) 529-4543  
IESPRINGFIELD@IE-CONSULTANTS.COM  
WWW.IE-CONSULTANTS.COM

SHEET NO.	F.A.S. RTE.	SECTION	COUNTY	TOTAL SHEETS	SHEET NO.
23 OF 29 SHEETS	1707	(BX-B)B-1	CLARK	44	32
CONTRACT NO. 74169					
FED. ROAD DIST. NO. _ ILLINOIS FED. AID PROJECT					