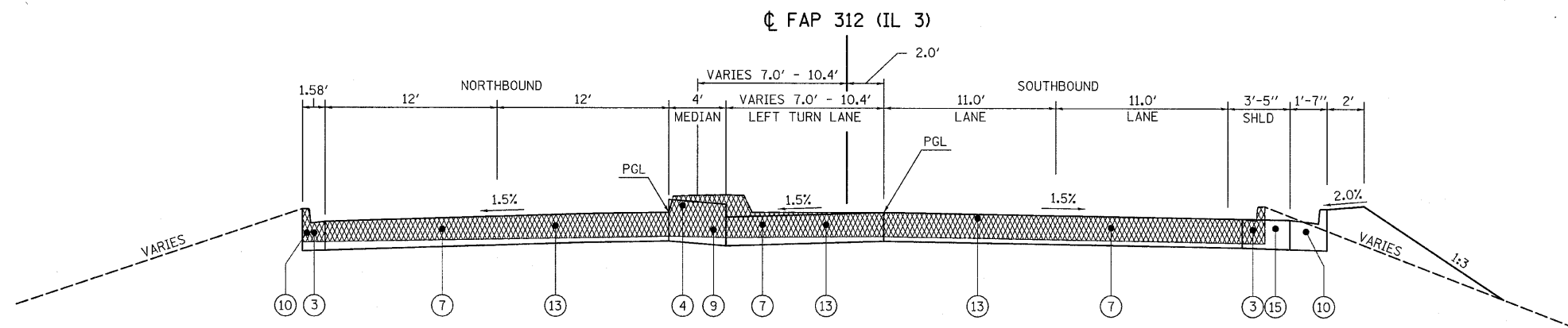


PROPOSED
FAP 312
(IL ROUTE 3)
STA 288+85 TO STA 289+44.85



PROPOSED
FAP 312
(IL ROUTE 3)
STA 289+44.85 TO STA 290+32.43

NOTE: WHERE PROPOSED REMOVAL OF EXISTING PAVEMENT OR CURB/MEDIAN IS REQUIRED BELOW THE PROPOSED PORTLAND CEMENT CONCRETE PAVEMENT, REPLACE REMOVED MATERIAL WITH PROPOSED AGGREGATE BASE COURSE, TYPE A

- ① EXISTING LEVELING BINDER, TYPE 2, (VARIABLE DEPTH)
- ② EXISTING HMA CONC SURF CSE, CLASS I, MIX D, 1.50"
- ③ EXISTING PCC PAVEMENT, 10"
- ④ EXISTING AGG SHOULDERS, TYPE B, 8"
- ⑤ EXISTING HMA SHOULDERS, 8"
- ⑥ EXISTING TYPE 3 MEDIAN
- ⑦ EXISTING SM-6.06 MEDIAN (SPECIAL)
- ⑧ EXISTING COMB CONC C&G, TYPE B-6.12
- ⑨ EXISTING AGGREGATE BIKE PATH
- ⑩ EXISTING LEVELING BINDER, MACHINE METHOD (1")
- ⑪ EXISTING POLYMERIZED HOT MIX ASPHALT SURFACE COURSE (1 1/2")

- ① PROPOSED HMA SURF CSE, MIX "D", N90, 1.50"
- ② PROPOSED PCC SHOULDERS, 6"
- ③ PROPOSED CONCRETE CURB REMOVAL
- ④ PROPOSED CONCRETE MEDIAN, TYPE SB (SPECIAL)
- ⑤ PROPOSED HMA LEVEL BINDER (1" MIN DEPTH)
- ⑥ PROPOSED AGGREGATE SHOULDERS, TYPE B 4"
- ⑦ PROPOSED PORTLAND CEMENT CONCRETE PAVEMENT, 10" (JOINTED)
- ⑧ PROPOSED BITUMINOUS SURFACE TREATMENT A3
- ⑨ PROPOSED MEDIAN REMOVAL
- ⑩ PROPOSED COMBINATION CONCRETE CURB & GUTTER, TYPE B-6.12

- ⑪ PROPOSED AGGREGATE BASE COURSE, TYPE B, 6"
- ⑫ PROPOSED SURFACE REMOVAL, 2 1/2"
- ⑬ PROPOSED PAVEMENT REMOVAL
- ⑭ PROPOSED AGGREGATE BASE COURSE, TYPE A
- ⑮ PROPOSED PCC SHOULDERS, 10"
- ⑯ PROPOSED BITUMINOUS MATERIALS (PRIME COAT)
- ⑰ PROPOSED PAVED SHOULDER REMOVAL
- ⑱ PROPOSED HOT-MIX ASPHALT SHOULDERS, 2 1/2"
- ⑲ PROPOSED AGGREGATE SHOULDERS, TYPE B

LAST SAVED = 8/9/2010 10:21:32 AM
 USER = borischmann
 PLOT DATE = 8/9/2010 10:21:32 AM

FILE NAME =	USER NAME = borischmann	DESIGNED -	REVISED -
1:\07878\cad\plans\084-0876882-Sht-1	borischmann.dgn	DRAWN -	REVISED -
	PLOT SCALE = 5.0002' / IN.	CHECKED -	REVISED -
	PLOT DATE = 8/9/2010 10:21:32 AM	DATE -	REVISED -

STATE OF ILLINOIS
DEPARTMENT OF TRANSPORTATION

HORNER & SHIRIN, INC.
ENGINEERS

TYPICAL SECTIONS
IL 3 PROPOSED

F.A.P. RTE.	SECTION	COUNTY	TOTAL SHEETS	SHEET NO.
312	64-1VBR	ST. CLAIR	259	12
FED. ROAD DIST. NO. ILLINOIS FED. AID PROJECT			CONTRACT NO. 76882	

SCALE: NONE SHEET NO. 7 OF 9 SHEETS STA. 290+00.00 TO STA. 290+89.66