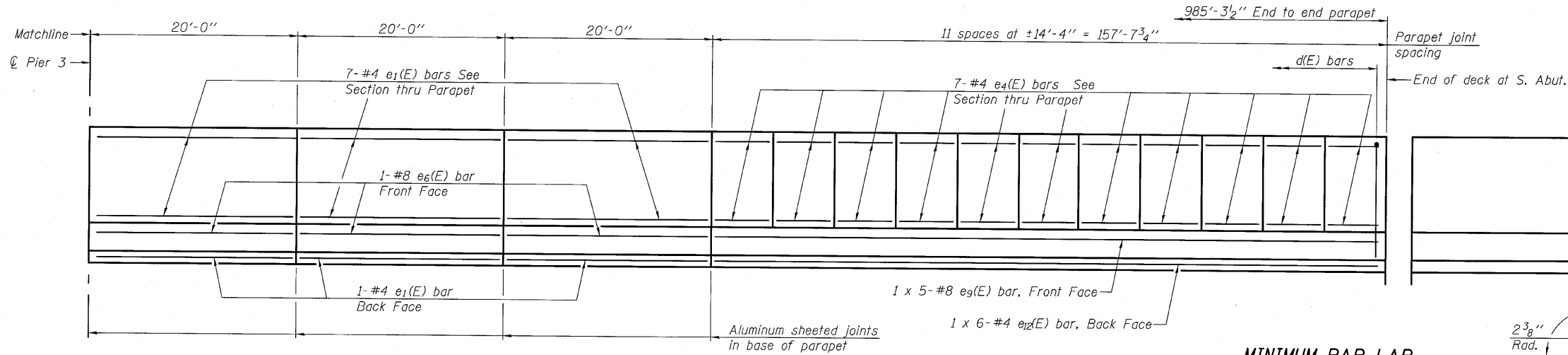
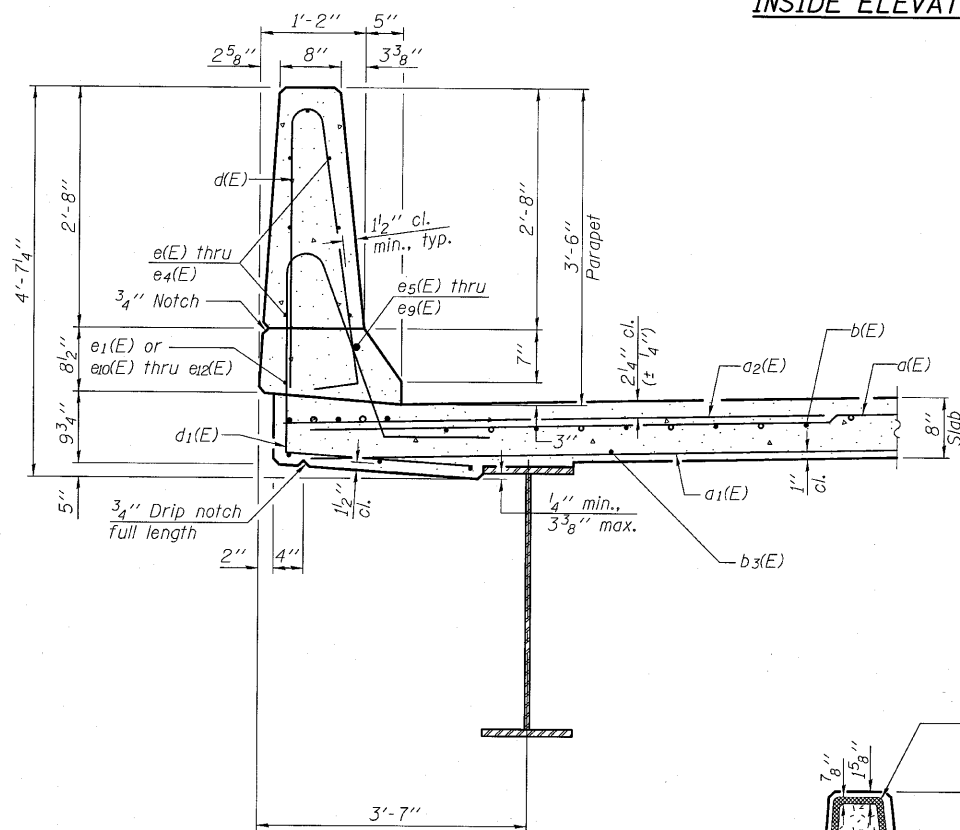


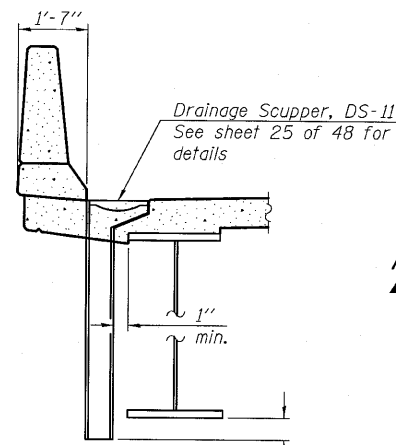
STATE OF ILLINOIS
DEPARTMENT OF TRANSPORTATION



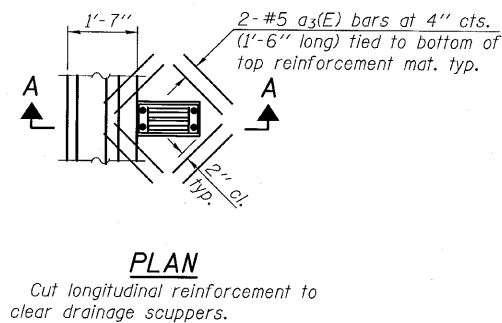
INSIDE ELEVATION OF PARAPET - SPAN 4



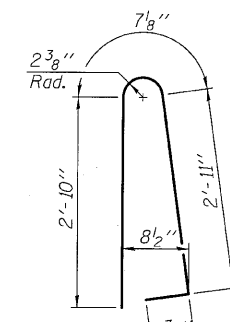
SECTION THRU PARAPET



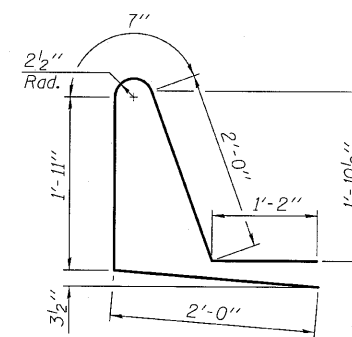
SECTION A-A



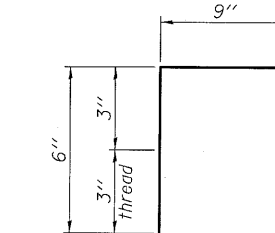
PLAN



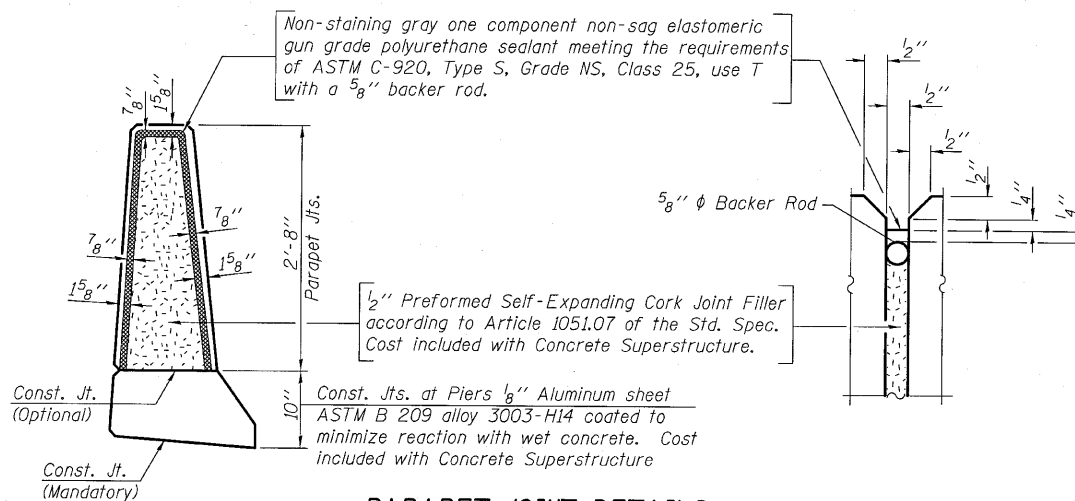
BAR d(E)



BAR d1(E)



BAR c(E)



PARAPET JOINT DETAILS

SUPERSTRUCTURE
BILL OF MATERIAL

Bar	No.	Size	Length	Shape
a(E)	4,730	#5	31'-0"	
a1(E)	4,437	#5	21'-8"	
a2(E)	4,728	#6	6'-6"	
a3(E)	144	#5	1'-6"	
b(E)	2,479	#5	30'-0"	
b1(E)	236	#6	34'-5"	
b2(E)	708	#6	33'-0"	
b3(E)	2,160	#5	25'-1"	
c(E)	1,964	#5	1'-3"	
c1(E)	982	#5	3'-6"	
d(E)	2,150	#5	6'-10"	
d1(E)	2,150	#5	7'-8"	
e(E)	112	#4	17'-6"	
e1(E)	256	#4	19'-8"	
e2(E)	140	#4	15'-2"	
e3(E)	168	#4	17'-2"	
e4(E)	154	#4	14'-0"	
e5(E)	10	#8	32'-8"	
e6(E)	32	#8	19'-8"	
e7(E)	10	#8	35'-1"	
e8(E)	14	#8	34'-5"	
e9(E)	10	#8	35'-8"	
e10(E)	12	#4	25'-5"	
e11(E)	12	#4	27'-6"	
e12(E)	28	#4	28'-0"	
Reinforcement Bars, Epoxy Coated	Pound		535,770	
Concrete Superstructure	Cu. Yds.		1,885.4	

Bars indicated thus 1 x 5 - #8 etc. indicates 1 line of bars with 5 lengths per line.

SUPERSTRUCTURE DETAILS
STRUCTURE NO. 082-0038

DESIGNED	JJD
CHECKED	EML
DRAWN	AJF
CHECKED	JJD

HORNER & SHIFRIN, INC.
ENGINEERS

SHEET NO. 18 48 SHEETS	F.A.P. RTE. 312	SECTION 64-1VBR	COUNTY ST. CLAIR	TOTAL SHEETS 259	SHEET NO. 70
	CONTRACT NO. 76882			ILLINOIS FED. AID PROJECT	