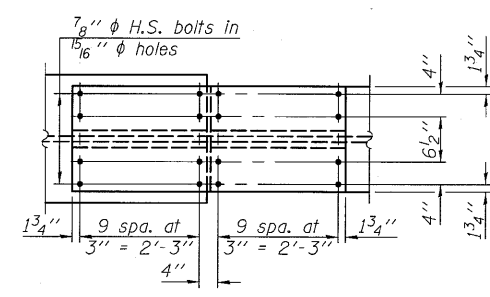
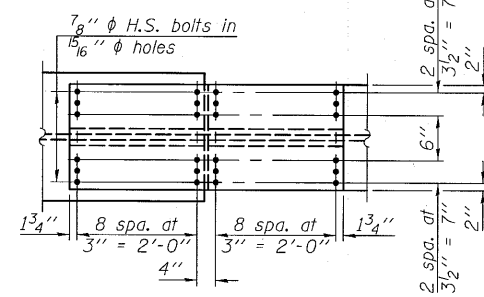
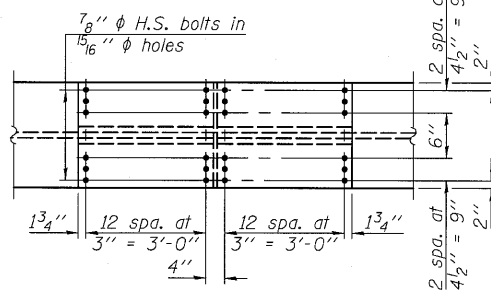
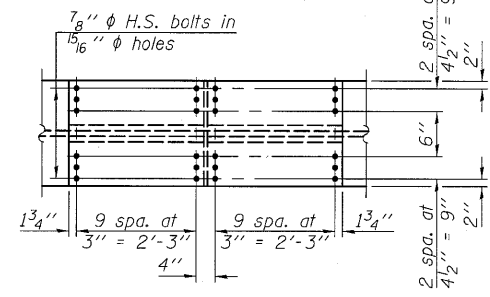
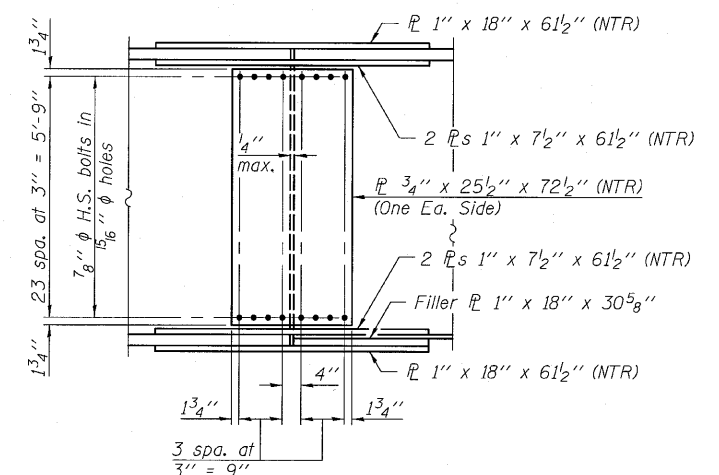
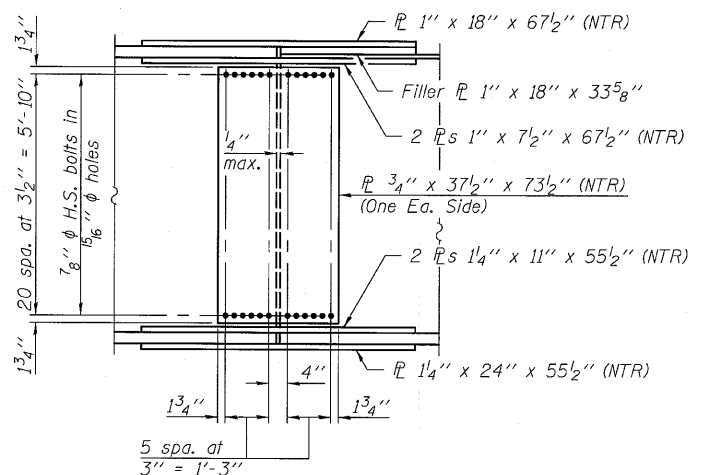
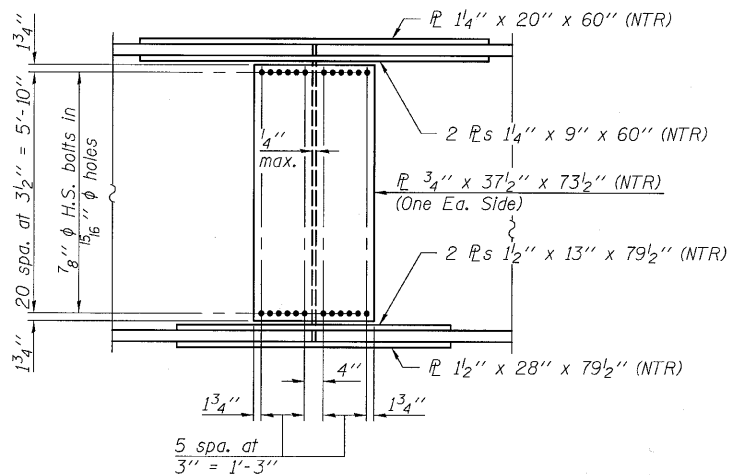
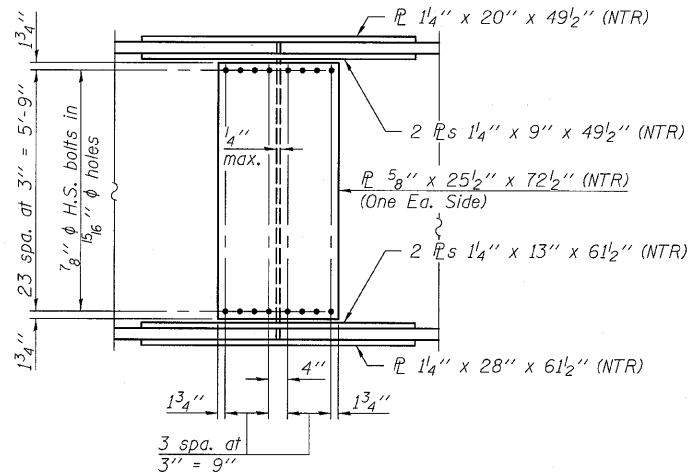
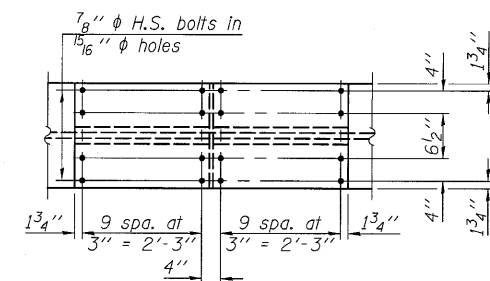
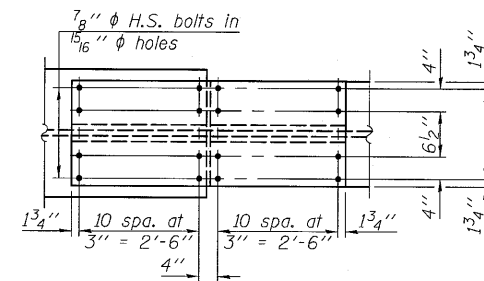
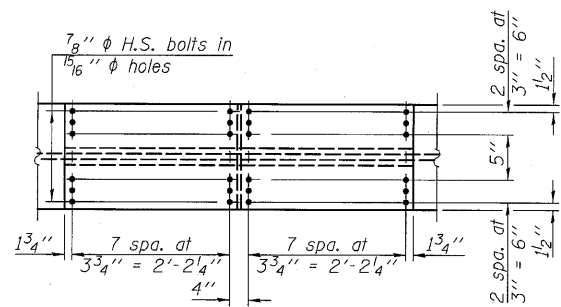
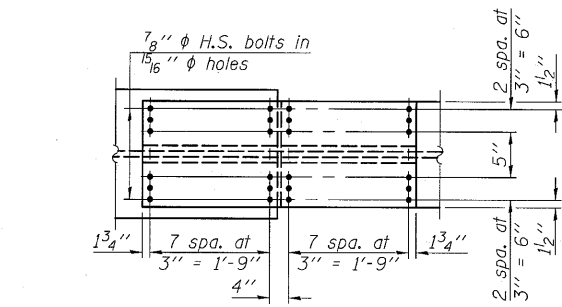


STATE OF ILLINOIS  
DEPARTMENT OF TRANSPORTATION

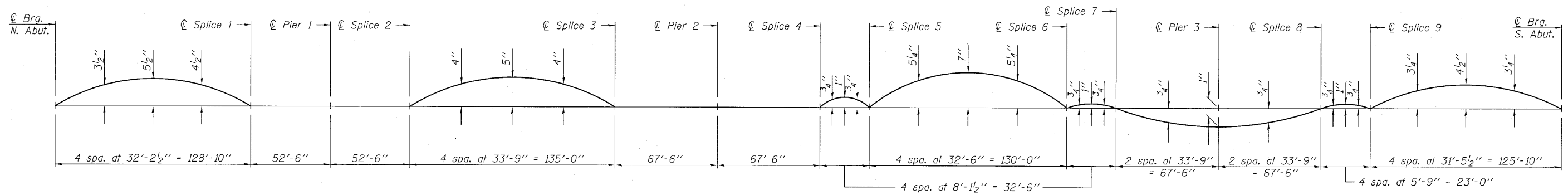


**FIELD SPLICES 4 & 7 DETAIL**  
(14 Required)

**FIELD SPLICES 5 & 6 DETAIL**  
(14 Required)

**FIELD SPLICE 8 DETAIL**  
(7 Required)

**FIELD SPLICE 9 DETAIL**  
(7 Required)



**CAMBER DIAGRAM**

**STRUCTURAL STEEL DETAILS**  
**STRUCTURE NO. 082-0038**

DESIGNED	EML
CHECKED	JJD
DRAWN	EML
CHECKED	JJD

**HORNER & SHIFRIN, INC.**  
ENGINEERS

SHEET NO. 33 48 SHEETS	F.A.P. RTE. 312	SECTION 64-1VBR	COUNTY ST. CLAIR	TOTAL SHEETS 259	SHEET NO. 85
	CONTRACT NO. 76882				
ILLINOIS FED. AID PROJECT					