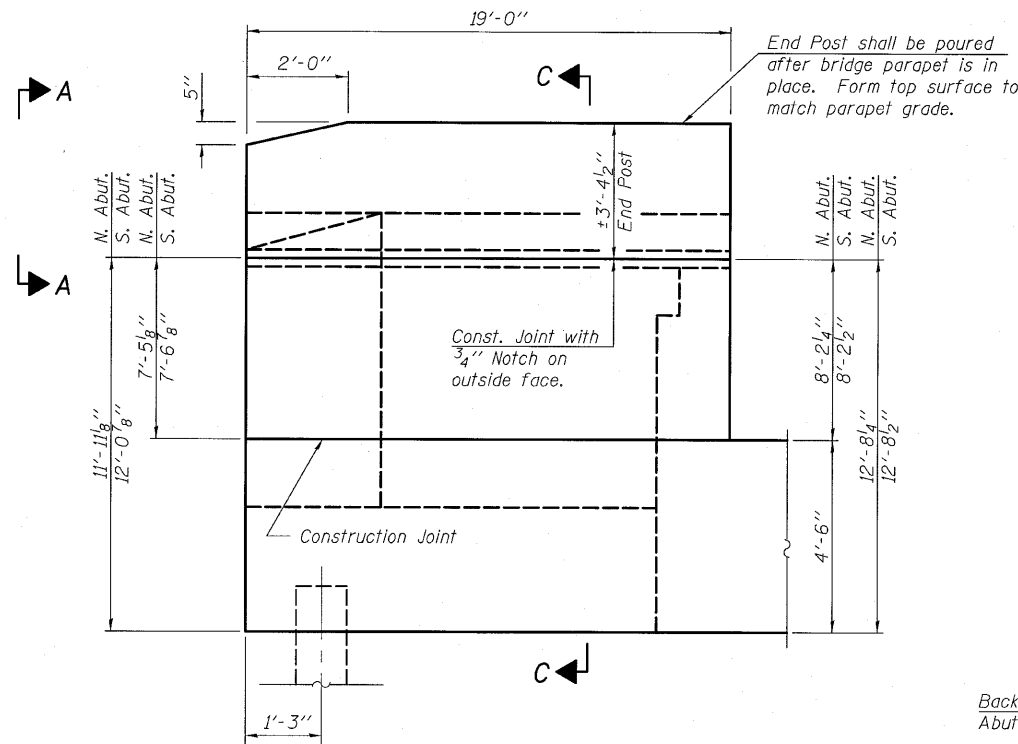
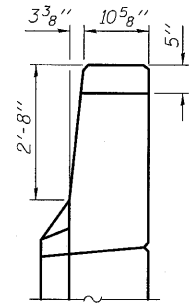


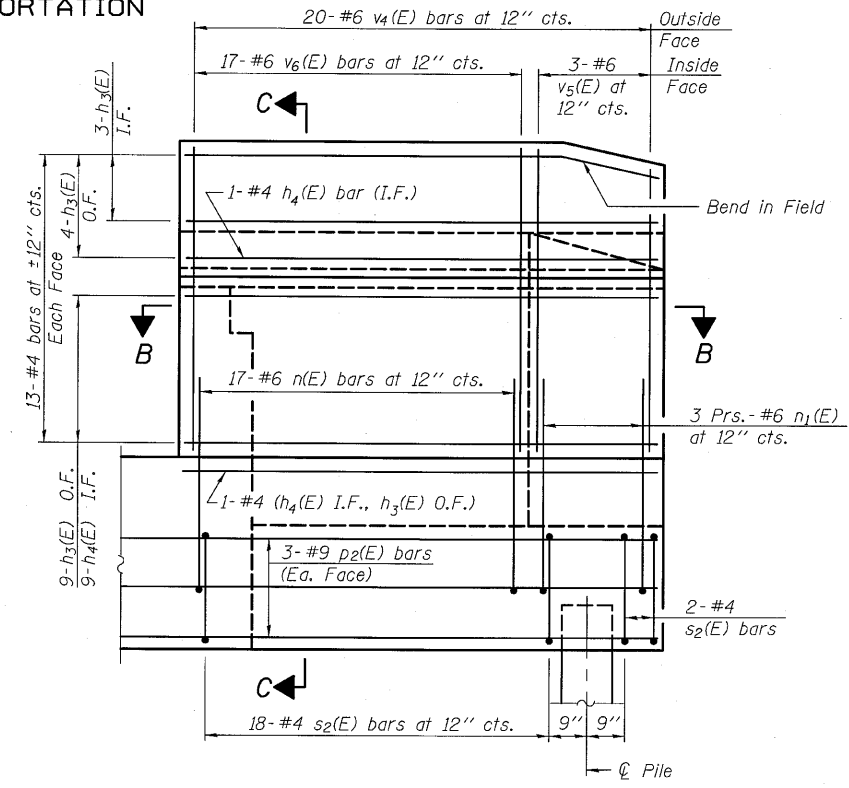
STATE OF ILLINOIS
DEPARTMENT OF TRANSPORTATION



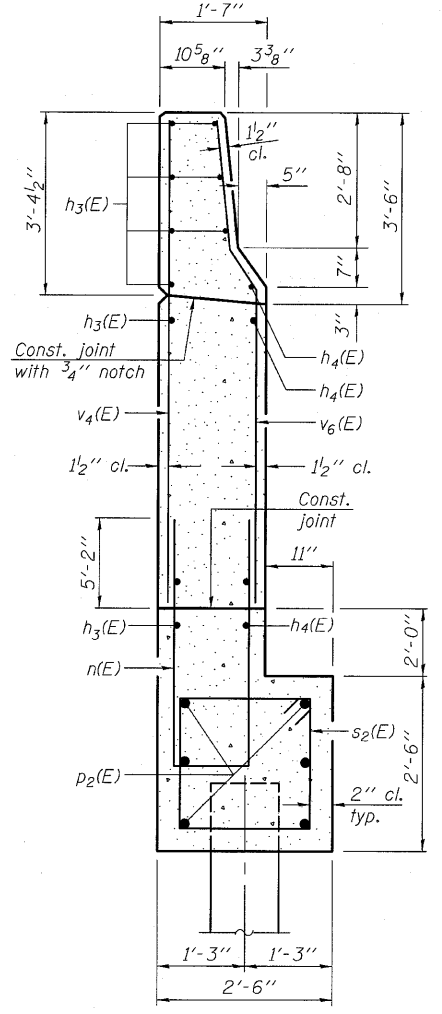
WING WALL ELEVATION
Showing Dimensions



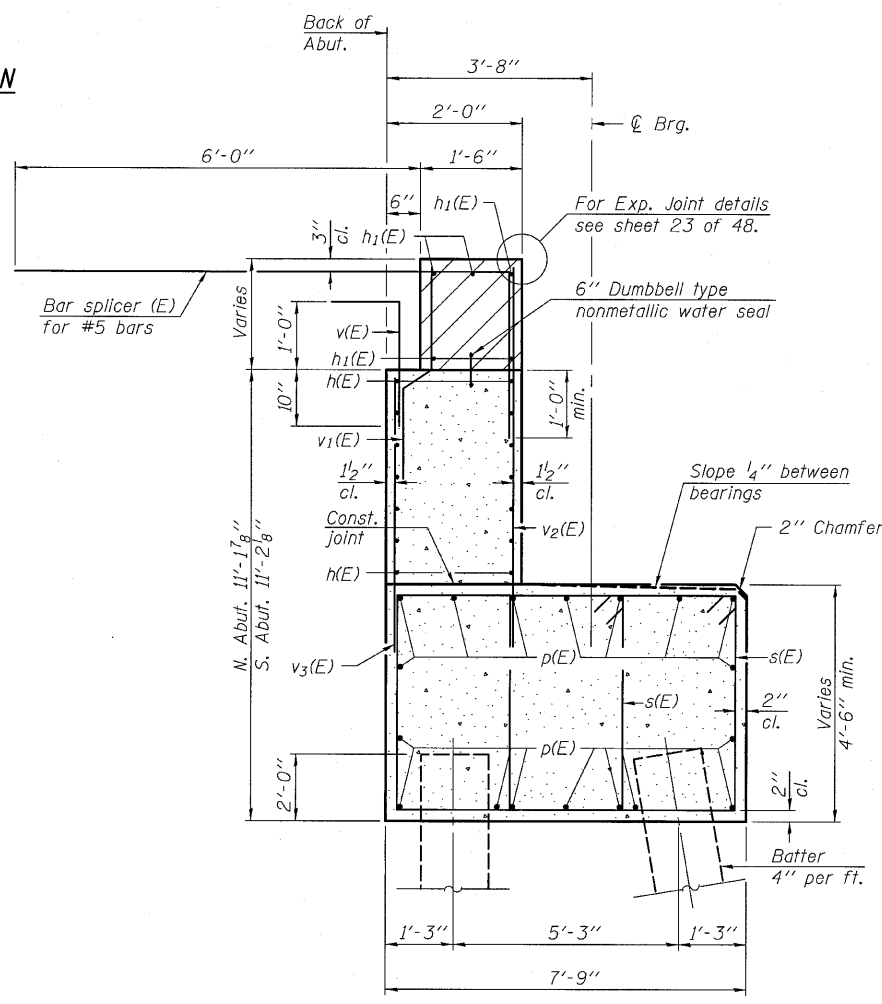
VIEW A-A



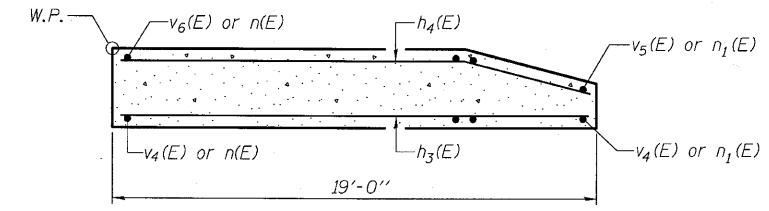
WING WALL ELEVATION
Showing Reinforcement



SECTION C-C



SEC. THRU ABUT.



SECTION B-B

Notes:
Hatched area to be poured after superstructure false work has been removed. Quantity of concrete included with Concrete Superstructure.
Space reinforcement in cap to miss anchor bolts.
Pour steps monolithically with cap.
Quantity of concrete in end post included with Concrete Superstructure on sheet 18 of 48.
For metal shell pile details, see sheet 42 of 48.
Concrete sealer shall be applied to the backwall, bridge seat, and front face of both the North & South Abutments.
For Bar Splicers details, see sheet 43 of 48.

| | |
|----------|-----|
| DESIGNED | KAK |
| CHECKED | EML |
| DRAWN | AJF |
| CHECKED | EML |

ABUTMENT DETAILS
STRUCTURE NO. 082-0038

HORNER & SHIFRIN, INC.
ENGINEERS

| | | | | | |
|---------------------------|-------------|---------|-----------|--------------|-----------|
| SHEET NO. 38 48 SHEETS | F.A.P. RTE. | SECTION | COUNTY | TOTAL SHEETS | SHEET NO. |
| | 312 | 64-1VBR | ST. CLAIR | 259 | 90 |
| CONTRACT NO. 76882 | | | | | |
| ILLINOIS FED. AID PROJECT | | | | | |