

STATE OF ILLINOIS
DEPARTMENT OF TRANSPORTATION

| | | | | |
|---------------------------|---------|-----------|--------------|-----------|
| ROUTE NO. | SECTION | COUNTY | TOTAL SHEETS | SHEET NO. |
| ST. CLAIR | 64-IVBR | ST. CLAIR | 259 | 151 |
| SHEET NO. 13 18 SHEETS | | | | |

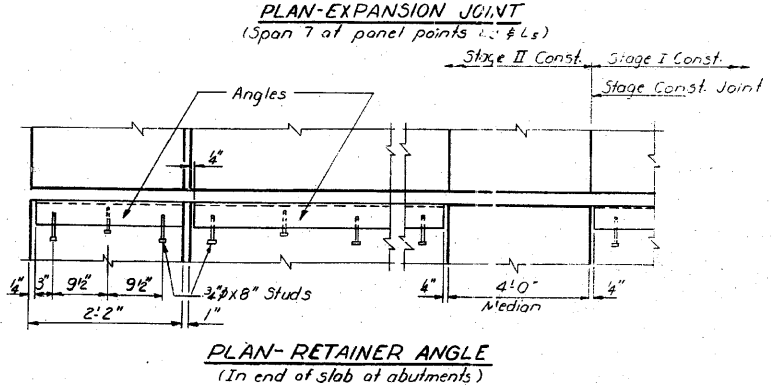
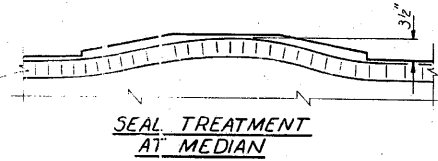
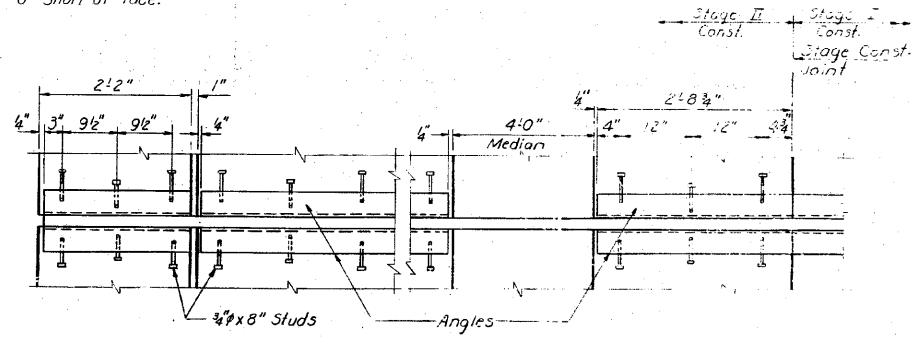
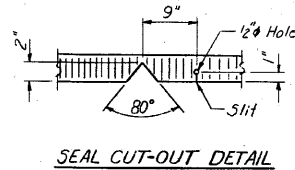
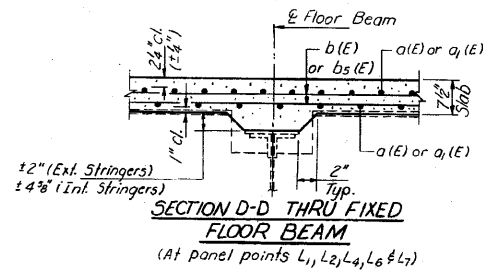
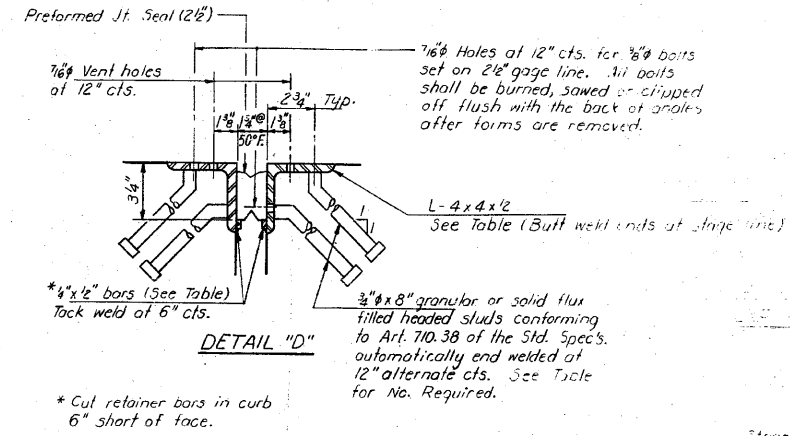
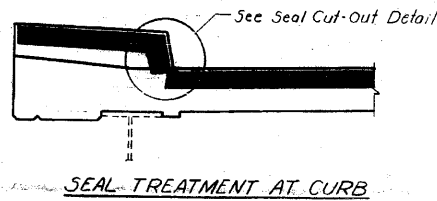
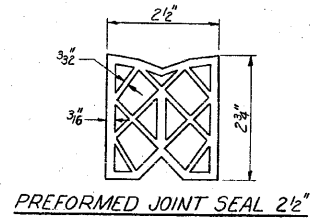
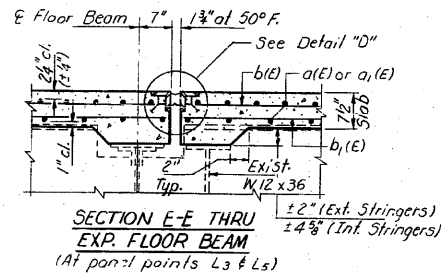


TABLE OF ANGLE AND BAR LENGTHS & NO. STUDS

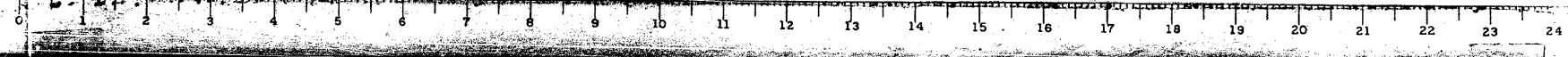
| Location | Stage I | | | Stage II (No. Bd Lanes) | | | Stage II (So. Bd Lanes) | | |
|--------------------|-------------|-------------|-----------|-------------------------|-------------|-----------|-------------------------|-------------|-----------|
| | Angle | Bars | No. Studs | Angle | Bars | No. Studs | Angle | Bars | No. Studs |
| Rdwy. (Sp. 1 & 10) | 23° 10 1/2" | 48 | 48 | 23° 10 1/2" | 48 | 48 | 23° 10 1/2" | 48 | 48 |
| Curbs | ** 21 1/2" | ** 117 3/4" | 18 | ** 21 1/2" | ** 117 3/4" | 18 | ** 21 1/2" | ** 117 3/4" | 18 |
| Rdwy. (Span 7) | 21° 1 3/4" | 21° 1 3/4" | 8-4 | 23° 10 1/2" | 23° 10 1/2" | 96 | 21° 8 3/4" | 21° 8 3/4" | 12 |

** Typical All.
*** Span 7 Only.

DESIGNED: *James J. Blum*
CHECKED: *James J. Blum*
DRAWN: *R. Doty*
CHECKED: *D.G.*

Feb 4 1981
APPROVED: *James J. Blum*
DIRECTOR OF HIGHWAYS

SUPERSTRUCTURE DETAILS
F.A. RT. 14 SEC. 64-IVB1
ST. CLAIR COUNTY
STA. 281+07.13



FOR INFORMATION ONLY

| | | | |
|---|-------------------|------------|-----------|
| FILE NAME = | USER NAME = CFC.. | DESIGNED - | REVISED - |
| ...151-0876882-exist-bridge-repair-plans-21.dgn | | DRAWN - | REVISED - |
| PLOT SCALE = 48.000000 / IN. | | CHECKED - | REVISED - |
| PLOT DATE = 8/5/2010 | | DATE - / / | REVISED - |

STATE OF ILLINOIS
DEPARTMENT OF TRANSPORTATION

SN 082-0030 PLANS
(REHABILITATION PLANS)

SCALE: SHEET NO. OF SHEETS STA. TO STA.

CB Coombe-Bloxdorf P.C.
- CIVIL ENGINEERS -
- STRUCTURAL ENGINEERS -
- LAND SURVEYORS -
Design Firm License No. 184-002703

| | | | | |
|-------------|---------|-----------|--------------|--------------------|
| F.A.P. RTE. | SECTION | COUNTY | TOTAL SHEETS | SHEET NO. |
| 312 | 64-IVBR | ST. CLAIR | 259 | 151 |
| | | | | CONTRACT NO. 76882 |

ILLINOIS FED. AID PROJECT