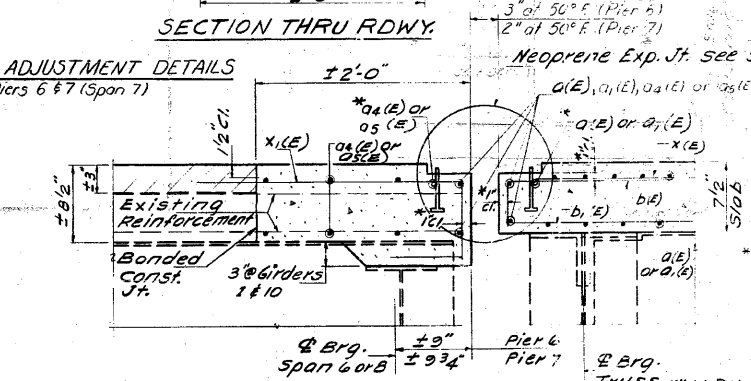
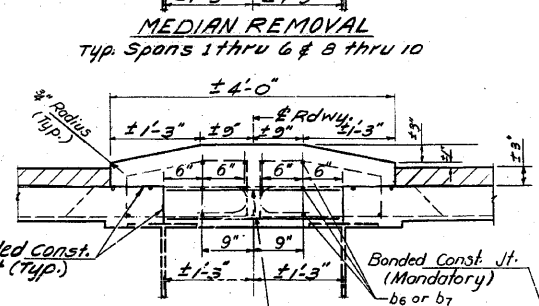
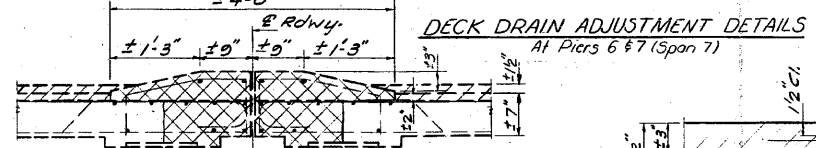
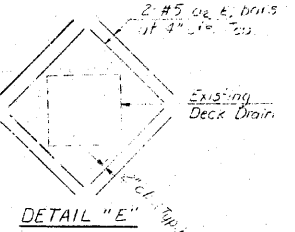
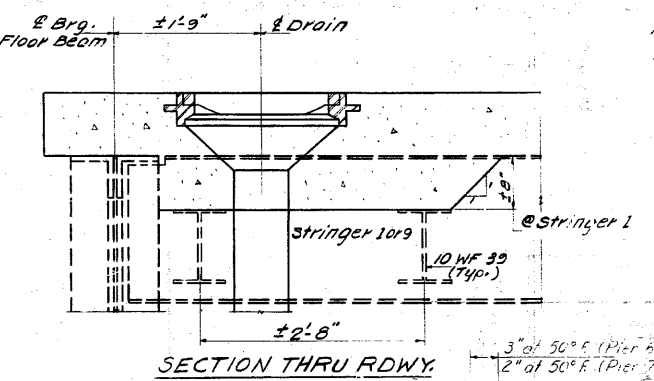
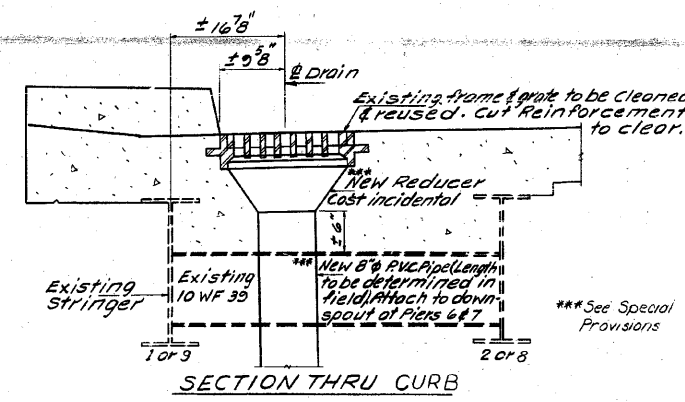
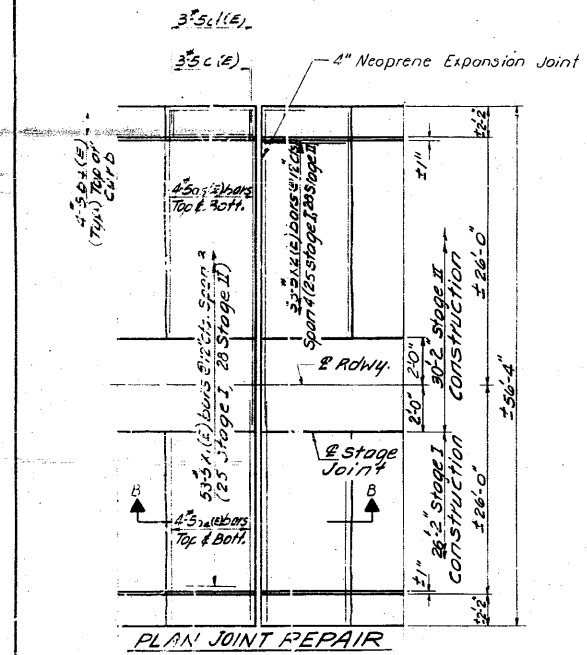
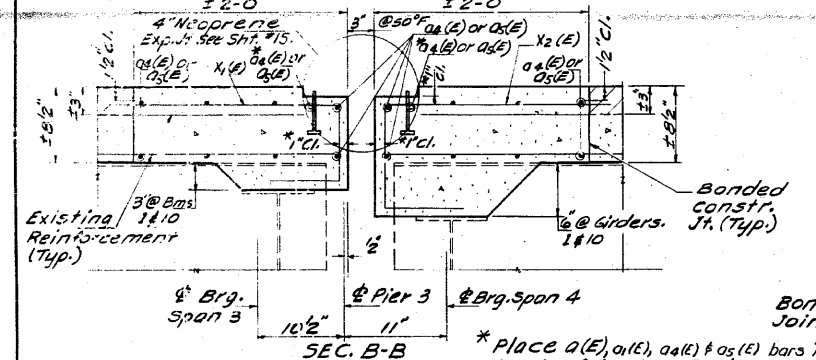


STATE OF ILLINOIS
DEPARTMENT OF TRANSPORTATION

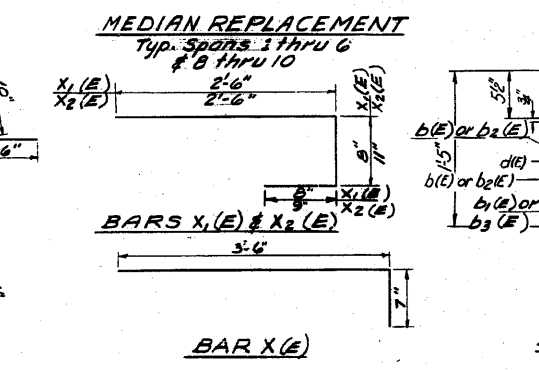
NO. 1	SECTION	COUNT	TOTAL SHEETS	SHEET NO. 14
64-1VBR	ST. CLAIR	23	18	
18 SHEETS				



*** Includes 2' Removal & Replacement @ Spans 1, 4, 6 & 8, Minus Removal & Replacement and 1' Removal and Replacement @ Spans 1 & 2.



* Place a(E), a1(E), a2(E) & a3(E) bars in back of Anchor Bolts as shown if required to maintain 1" Cl. (A-B). Anchor Bolts should be tied to a(E), a1(E), a2(E) & a3(E) bars.

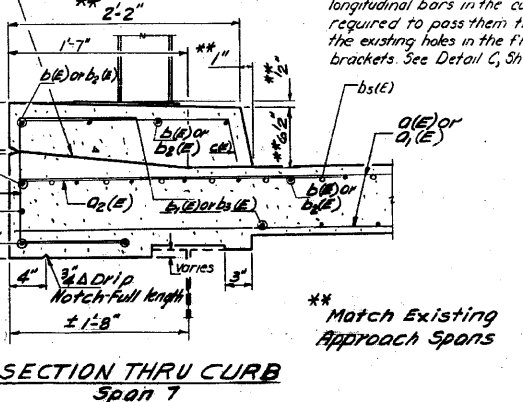
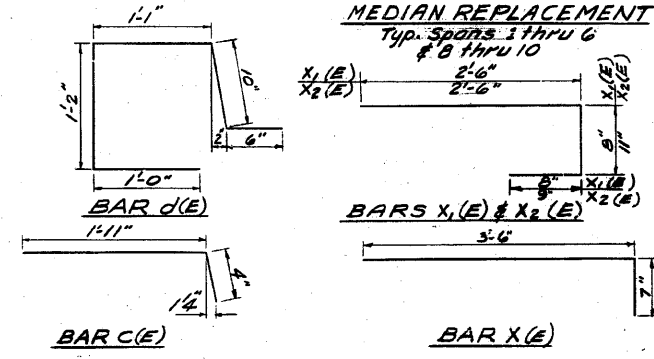


Note: Cross hatched areas indicate Concrete Removal. Existing transverse reinforcement in the median portion and longitudinal reinforcement in the end joints is to be cleaned & incorporated into the new construction.
Hatched areas indicate Bituminous Concrete Surface Removal, Concrete Bridge Deck Scarification & Plasticized Dense Concrete Overlay. See sheet #2.
Note: Shift the location of the longitudinal bars in the curb as required to pass them through the existing holes in the floor beam brackets. See Detail C, Sheet #12.

*** BILL OF MATERIAL

Bar	No.	Size	Length	Shape
a1(E)	740	#5	23'9"	
a1(E)	740	#5	32'8"	
a2(E)	32	#5	2'0"	
a3	218	#6	2'3"	
a4(E)	36	#5	2'19"	
a5(E)	36	#5	30'1"	
b1(E)	402	#5	30'0"	
b1(E)	416	#5	23'0"	
b2(E)	134	#5	30'3"	
b3(E)	156	#5	20'9"	
b4(E)	32	#5	1'9"	
b5(E)	280	#6	14'0"	
b6	154	#5	29'0"	
b7	110	#5	30'0"	
C(E)	492	#5	2'3"	
d(E)	492	#5	4'7"	
X(E)	106	#5	4'1"	
X1(E)	163	#5	3'10"	
X2(E)	33	#5	4'2"	
Class X Concrete	Cu. Yds.		451.9	
Reinforcement Bars	Lbs.		13260	
Reinforcement Bars (Epoxy Coated)	Lbs.		68280	

DESIGNED: [Signature]
CHECKED: [Signature]
DRAWN: LH
CHECKED: PG
Feb 4 1985
EXAMINED: [Signature]
APPROVED: [Signature]
DIRECTOR OF HIGHWAYS



SUPERSTRUCTURE DETAILS
E.A. RTE. 14 SEC. 64-1VBR
ST. CLAIR COUNTY
STA. 281+07.15

FOR INFORMATION ONLY

CB Coombe-Bloxdorf P.C.
- CIVIL ENGINEERS -
- STRUCTURAL ENGINEERS -
- LAND SURVEYORS -
Design Firm License No. 184-002703

F.A.P. RTE.	SECTION	COUNTY	TOTAL SHEETS	SHEET NO.
312	64-1VBR	ST. CLAIR	259	153
CONTRACT NO. 76882				ILLINOIS FED. AID PROJECT