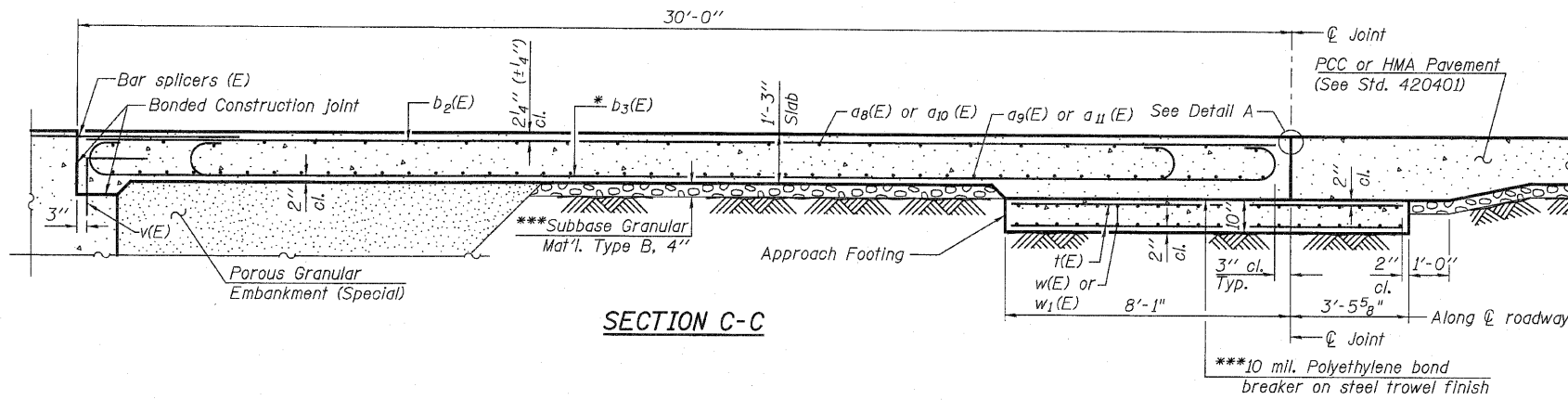


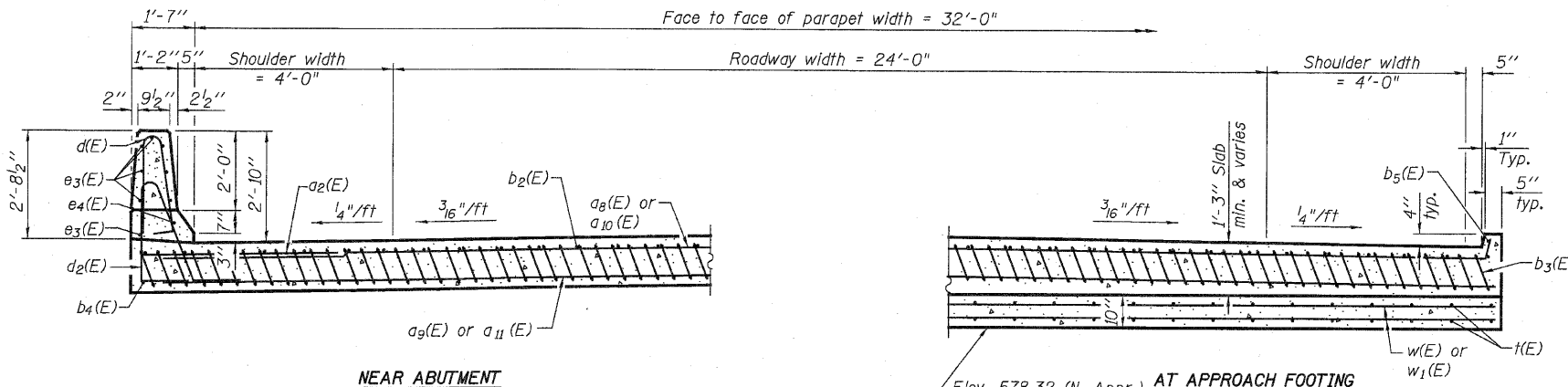
STATE OF ILLINOIS
DEPARTMENT OF TRANSPORTATION

Notes:

See sheet 12 of 20 for Detail A and View B-B.
Approach slab and parapet concrete shall be paid for as Concrete Superstructure.
Approach footing concrete shall be paid for as Concrete Structures.
Reinforcement shall be paid for as Reinforcement Bars, Epoxy Coated.
For v(E) bar details, see sheet 9 of 20.
The approach footing maximum applied service bearing pressure (Q_{max}) = 2.0 ksf.
For bar splicer details, see sheet 18 of 20.
Cost of excavation for approach footing included with Concrete Structures.
For Porous Granular Embankment (Special) and drainage treatment details, see sheet 2 of 20.
For additional parapet details, see sheet 9 of 20.



SECTION C-C



SECTION D-D
(See Plan for dimensions not shown)

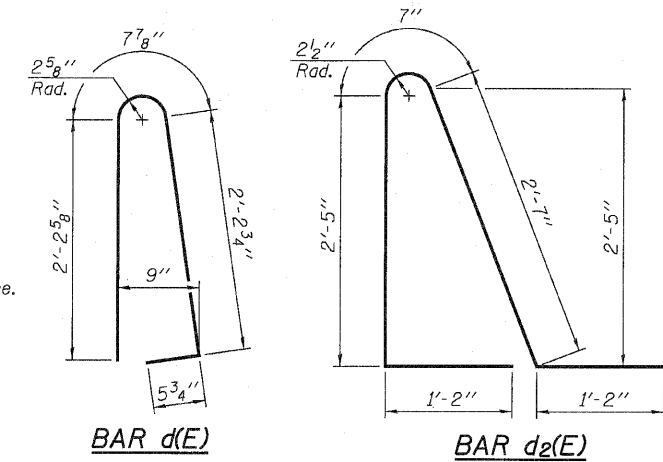
NEAR ABUTMENT

AT APPROACH FOOTING

Elev. 578.32 (N. Appr.)
Elev. 577.96 (S. Appr.)
(Level out to out)

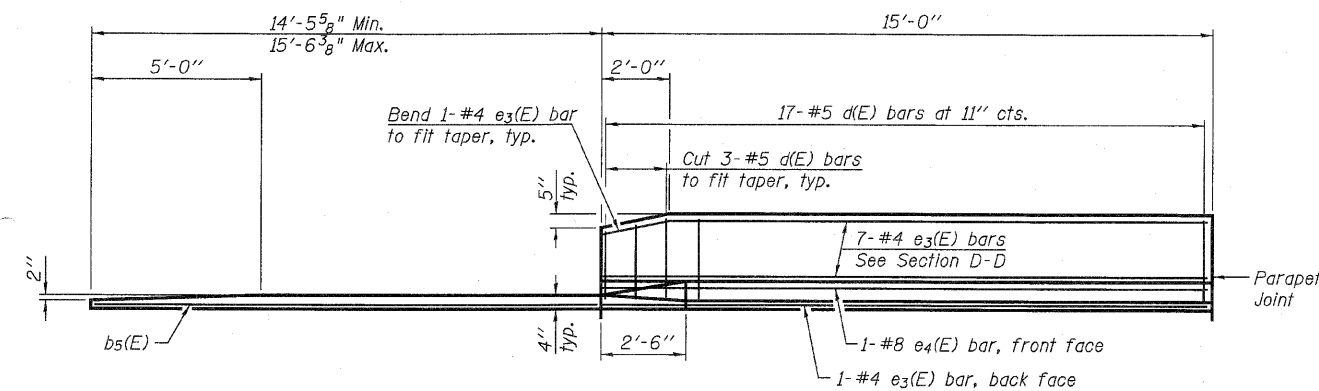
* Tilt #9 b3(E) bars as required to maintain clearance.

*** Cost included with Concrete Superstructure.

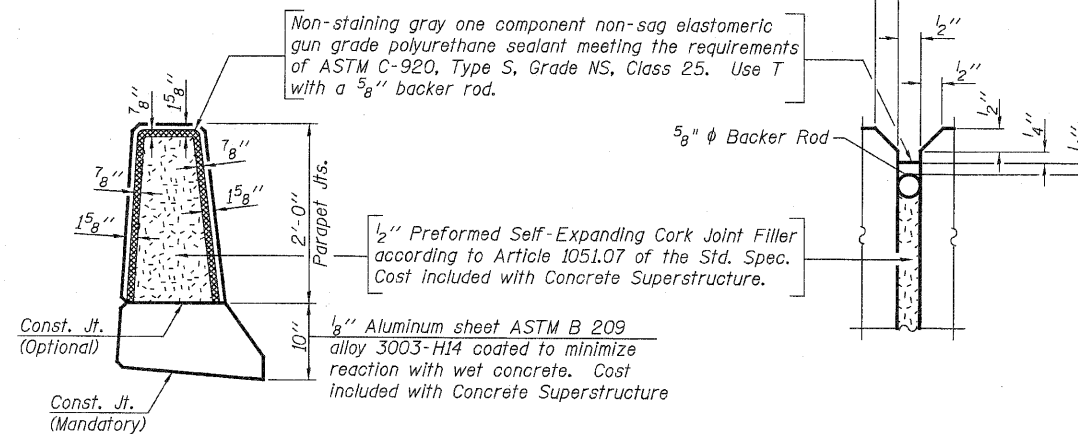


TWO APPROACHES
BILL OF MATERIAL

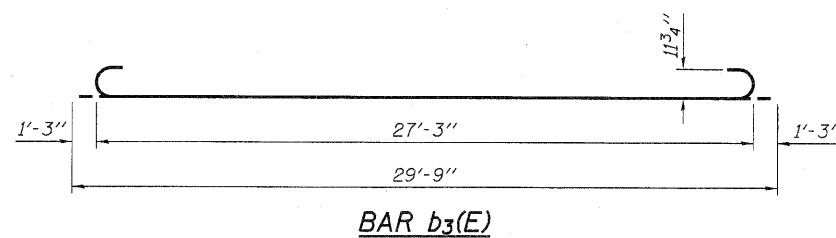
Bar	No.	Size	Length	Shape
a2(E)	48	#6	6'-6"	—
a8(E)	50	#4	16'-3"	—
a9(E)	92	#5	16'-4"	—
a10(E)	50	#4	22'-0"	—
a11(E)	92	#5	22'-1"	—
b2(E)	56	#4	29'-8"	—
b3(E)	160	#9	29'-9"	—
b4(E)	4	#4	14'-8"	—
b5(E)	4	#4	14'-4"	—
d(E)	68	#5	5'-7"	—
d2(E)	68	#5	7'-11"	—
e3(E)	32	#4	14'-8"	—
e4(E)	4	#8	14'-8"	—
t(E)	140	#4	11'-2"	—
w(E)	80	#5	16'-4"	—
w1(E)	80	#5	22'-1"	—
Concrete Superstructure		Cu. Yd.	106.0	
Concrete Structures		Cu. Yd.	24.1	
Reinforcement Bars, Epoxy Coated		Pound	28490	



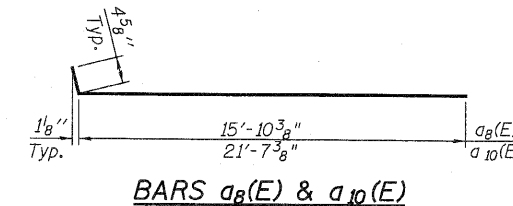
VIEW E-E



PARAPET JOINT DETAILS



BAR b3(E)



BARS a8(E) & a10(E)

BRIDGE APPROACH SLAB DETAILS-2
STRUCTURE NO. 031-0044

ELIN ENGINEERING, LTD. Consulting Engineers Chatham, Illinois			
DESIGNED:	ESH	DRAWN:	ESH
CHECKED:	MTH	CHECKED:	MTH

SHEET 13 OF 20	F.A.P. RTE.	SECTION	COUNTY	TOTAL SHEETS	SHEET NO.
	10	3B-1	GREENE	59	38
	STA. 222+94.00			CONTRACT NO. 76C15	
FED. ROAD DIST. NO. ILLINOIS FED. AID PROJECT					