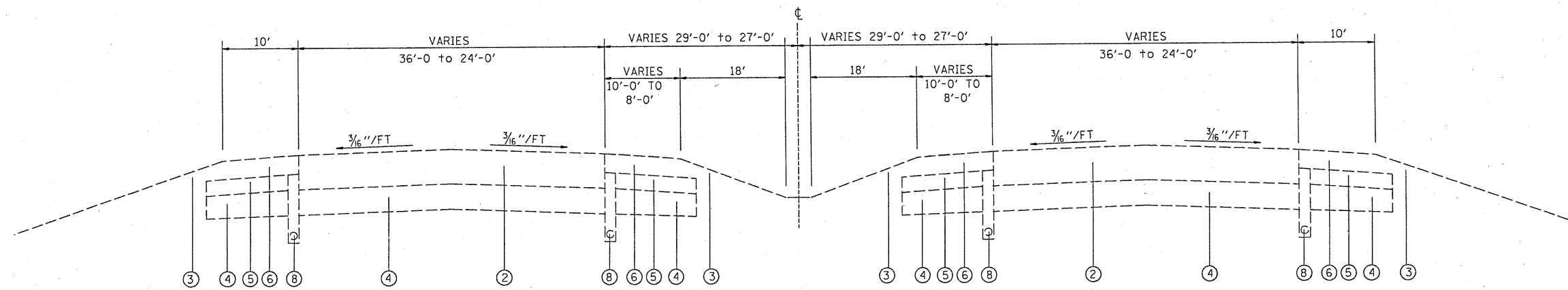
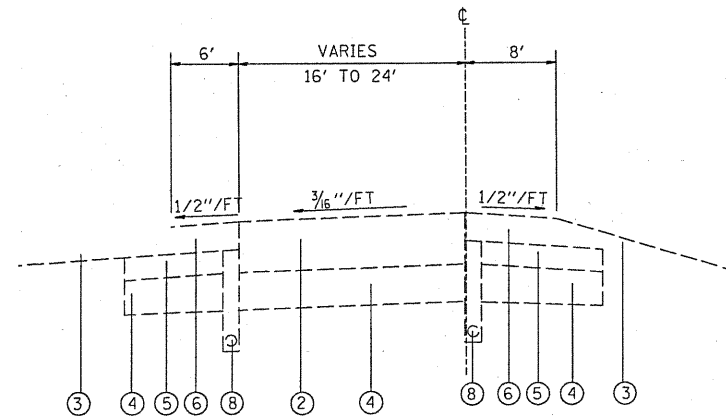


I-255 - EXISTING TYPICAL SECTION
STA. 1598+00 TO STA. 1615+52 N.B



IL 255 - EXISTING TYPICAL SECTION
STA. 1619+35 TO STA. 1746+21



RAMP - EXISTING TYPICAL SECTION
I-255 COLLECTOR DISTRIBUTOR - STA. 1594+00 TO STA. 1658+27
RAMP 3 - STA. 332+89 TO STA. 354+05
RAMP A - STA. 107+60 TO STA. 122+63
RAMP B - 201+60 TO STA. 227+73
RAMP C - STA. 375+70 TO STA. 397+61
RAMP D - STA. 401+73 TO STA. 420+79

- LEGEND**
- ① EXISTING CRPCC PAVEMENT - 10"
 - ② EXISTING HMA FULL-DEPTH PAVEMENT - 16 1/2"
 - ③ EXISTING STABILIZED SUB-BASE - 4"
 - ④ EXISTING LIME MODIFIED SOIL, 12"
 - ⑤ EXISTING SUB-BASE GRANULAR MATERIAL
 - ⑥ EXISTING HMA SHOULDERS
 - ⑦ EXISTING AGG. SHOULDERS
 - ⑧ EXISTING PIPE UNDERDRAIN, 4"
 - ⑨ PROPOSED MICRO-SURFACING SINGLE PASS, TYPE II, 1/2" (WITH RUT FILLING)
 - ⑩ PROPOSED THERMOPLASTIC PAVEMENT MARKING

FILE NAME =	USER NAME = burnsideem	DESIGNED -	REVISD -
c:\p\work\p\dot\burnsideem\d0181888\d076e00-sh-t-plena.dgn		DRAWN -	REVISD -
		CHECKED -	REVISD -
		DATE -	REVISD -

STATE OF ILLINOIS
DEPARTMENT OF TRANSPORTATION

TYPICAL SECTIONS

SCALE: _____	SHEET NO. ___ OF ___ SHEETS	STA. _____ TO STA. _____	F.A.P. RTE. 310	SECTION 60-9RS	COUNTY MADISON	TOTAL SHEETS 13	SHEET NO. 4
			FED. ROAD DIST. NO. ILLINOIS FED. AID PROJECT				
			CONTRACT NO. 76E00				