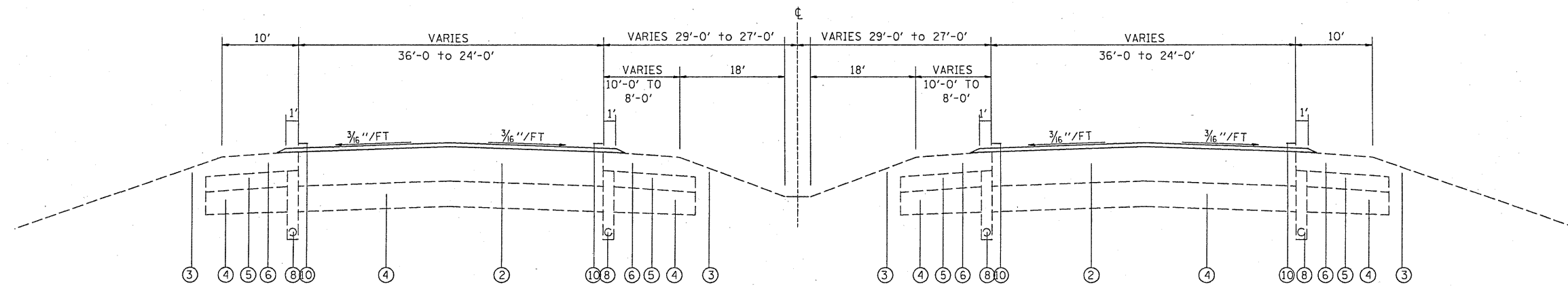
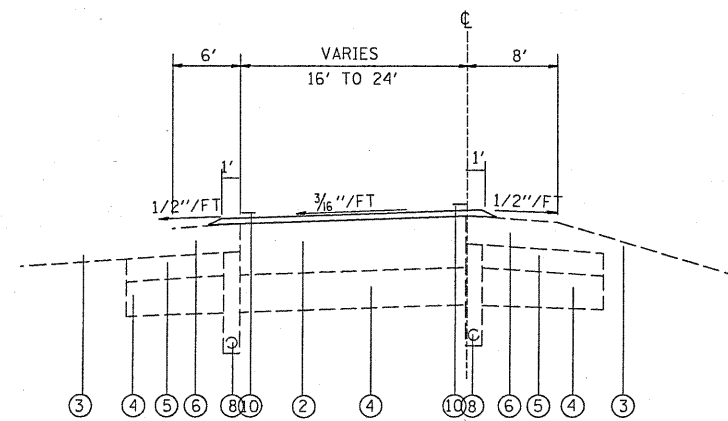


I-255 - PROPOSED TYPICAL SECTION  
 STA. 1598+00 TO STA. 1615+52 N.B



IL 255 - PROPOSED TYPICAL SECTION  
 STA. 1619+35 TO STA. 1746+21



RAMP - PROPOSED TYPICAL SECTION  
 I-255 COLLECTOR DISTRIBUTOR - STA. 1594+00 TO STA. 1658+27  
 RAMP 3 - STA. 332+89 TO STA. 354+05  
 RAMP A - STA. 107+60 TO STA. 122+63  
 RAMP B - 201+60 TO STA. 227+73  
 RAMP C - STA. 375+70 TO STA. 397+61  
 RAMP D - STA. 401+73 TO STA. 420+79

- LEGEND**
- ① EXISTING CRPCC PAVEMENT - 10"
  - ② EXISTING HMA FULL-DEPTH PAVEMENT - 16 1/2"
  - ③ EXISTING STABILIZED SUB-BASE - 4"
  - ④ EXISTING LIME MODIFIED SOIL, 12"
  - ⑤ EXISTING SUB-BASE GRANULAR MATERIAL
  - ⑥ EXISTING HMA SHOULDERS
  - ⑦ EXISTING AGG. SHOULDERS
  - ⑧ EXISTING PIPE UNDERDRAIN, 4"
  - ⑨ PROPOSED MICRO-SURFACING SINGLE PASS, TYPE II, 1/2" (WITH RUT FILLING)
  - ⑩ PROPOSED THERMOPLASTIC PAVEMENT MARKING

FILE NAME =	USER NAME = burnsideem	DESIGNED -	REVISD -
ct:\pw_work\pwidot\burnsideem\d0181888\d0176e00-sht-plana.dgn		DRAWN -	REVISD -
PLOT SCALE = 1/8" = 1' / 1/4"		CHECKED -	REVISD -
PLOT DATE = 8/16/2010		DATE -	REVISD -

**STATE OF ILLINOIS  
 DEPARTMENT OF TRANSPORTATION**

**TYPICAL SECTIONS**

SCALE: \_\_\_\_\_ SHEET NO. \_\_\_ OF \_\_\_ SHEETS STA. \_\_\_\_\_ TO STA. \_\_\_\_\_

F.A.P. RTE.	SECTION	COUNTY	TOTAL SHEETS	SHEET NO.
310	60-9RS	MADISON	13	5
CONTRACT NO. 76E00				
FED. ROAD DIST. NO. _____ ILLINOIS FED. AID PROJECT				