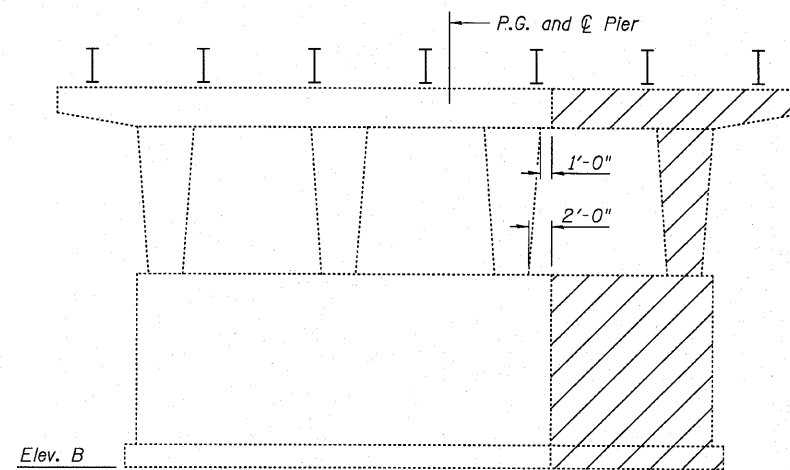


STATE OF ILLINOIS
DEPARTMENT OF TRANSPORTATION

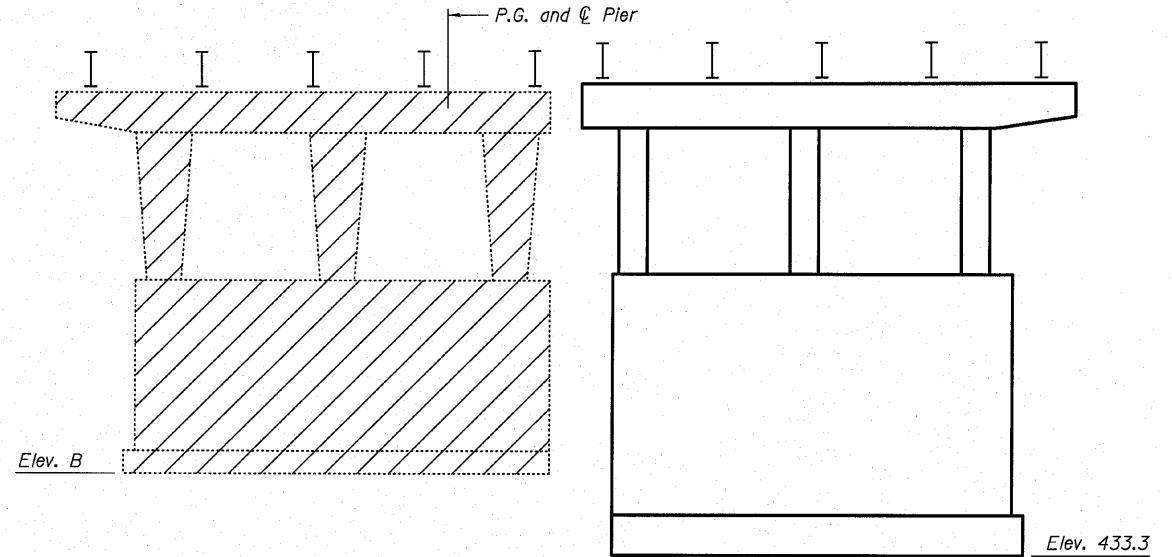


Elev. B

STAGE I REMOVAL ①

ELEVATION B ④

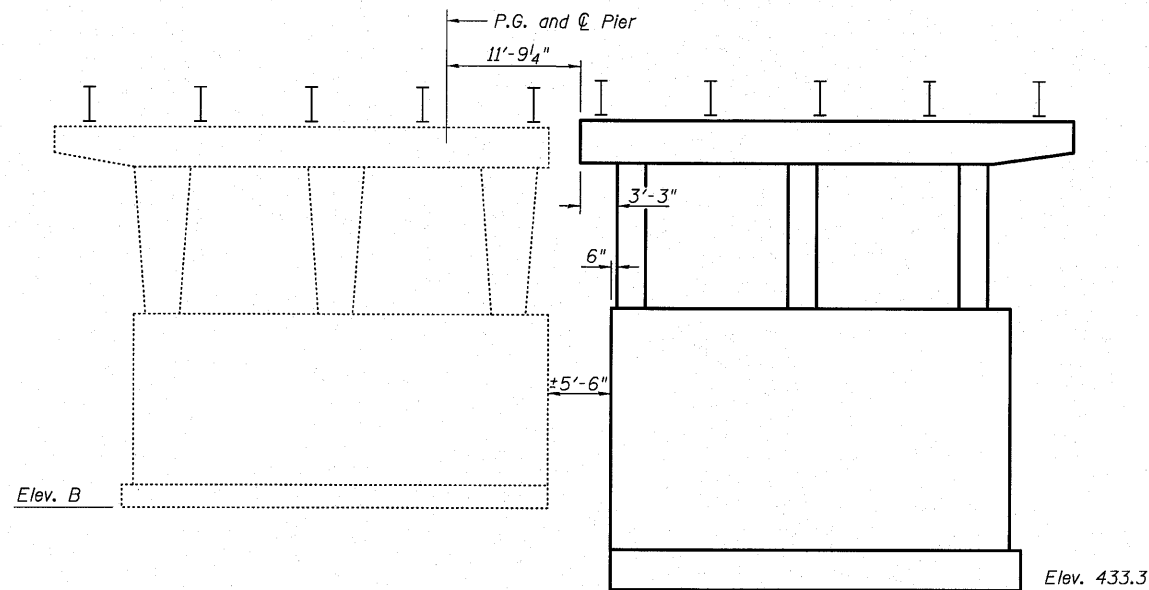
	Pier 1	Pier 2
NB	436.91	437.42
SB	440.46	436.45



Elev. B

Elev. 433.3

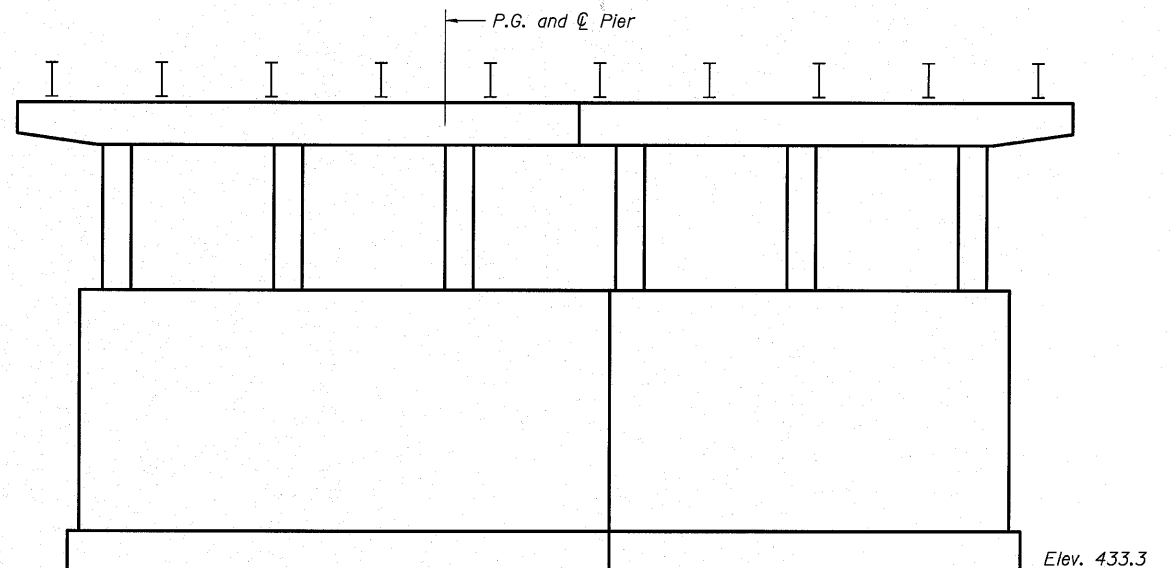
STAGE II REMOVAL ①



Elev. B

Elev. 433.3

STAGE I CONSTRUCTION ①



Elev. 433.3

STAGE II CONSTRUCTION ①

Notes:

- ① All views N.B. looking South and S.B. looking North.
- ② Abutment stage removal and construction lines similar to superstructure.
- ③ The Contractor shall monitor the existing structure during Stage I removal and construction to assure that no movement or damage is occurring. If movement or damage is observed, the Contractor shall immediately stop work and notify the Engineer. Cost included in Removal of Existing Structures.
- ④ Elevation B values are estimated from the existing 1962 plans and adjusted to match the proposed datum.
- ⑤ Contractor shall utilize Braced Excavation as required to construct the piers. See Special Provisions.
- ⑥ Hatched areas indicate "Removal of Existing Structures".

**SUBSTRUCTURE
STAGE CONSTRUCTION DETAILS
STRUCTURE NO. 028-0081 (SB)
STRUCTURE NO. 028-0082 (NB)**

SHEET NO. 3	F.A.I. RTE.	SECTION	COUNTY	TOTAL SHEETS	SHEET NO.
43 SHEETS	57	(28-3-1)VB-1	FRANKLIN	98	27
			CONTRACT NO. 78068		
FED. ROAD DIST. NO. 7 ILLINOIS FED. AID PROJECT					



Eastport Business Center 1
100 Lanter Court, Suite 1
Collinsville, Illinois 62234
618-345-2200
Design Firm License No. 184.001115

DESIGNED JAD
CHECKED MJP
DRAWN JAD
CHECKED MJP