

STATE OF ILLINOIS
DEPARTMENT OF TRANSPORTATION


NB NORTH ABUTMENT
BILL OF MATERIAL

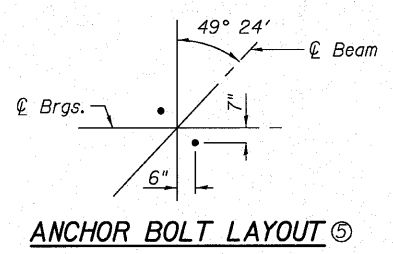
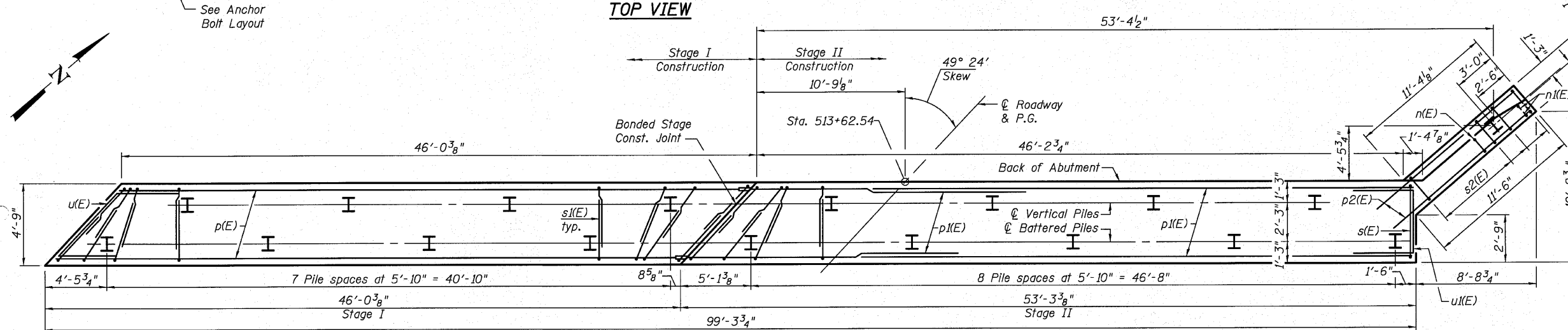
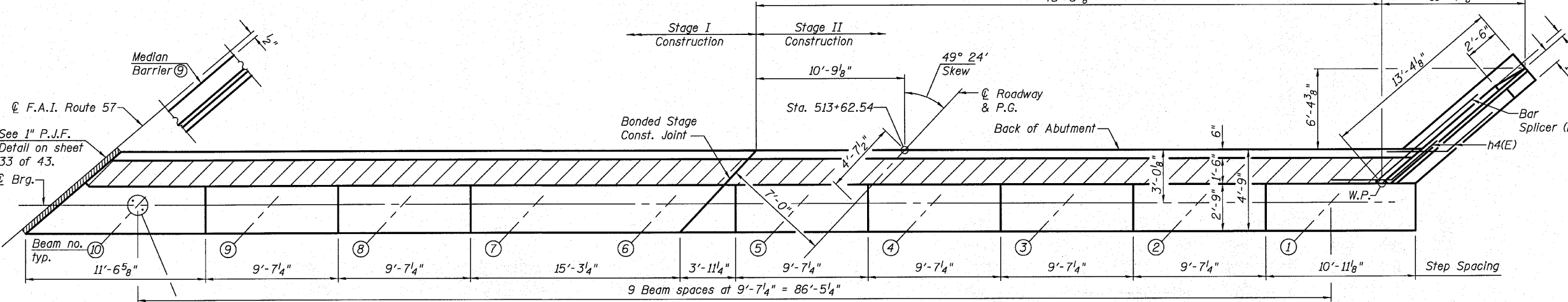
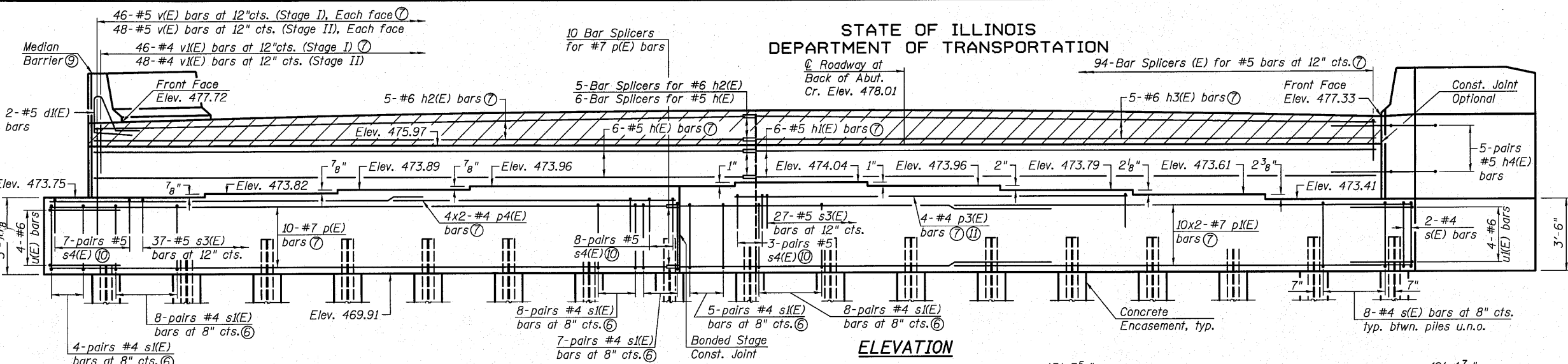
Bar	No.	Size	Length	Shape
d(E)	2	#5	7'-9"	L
h(E)	6	#5	45'-8"	—
h1(E)	6	#5	47'-3"	—
h2(E)	5	#6	45'-8"	—
h3(E)	5	#6	47'-3"	—
h4(E)	10	#5	9'-0"	—
h5(E)	8	#4	11'-2"	—
h6(E)	6	#4	12'-9"	—
h7(E)	2	#4	12'-0"	—
n(E)	9	#6	11'-0"	—
n1(E)	6	#6	5'-6"	—
p(E)	10	#7	45'-8"	—
p1(E)	20	#7	28'-11"	—
p2(E)	6	#7	12'-11"	—
p3(E)	4	#4	28'-5"	—
p4(E)	8	#4	23'-7"	—
s(E)	98	#4	15'-11"	—
s1(E)	80	#4	11'-4"	—
s2(E)	16	#4	9'-5"	—
s3(E)	64	#5	7'-9"	J
s4(E)	36	#5	5'-11"	J
u(E)	4	#6	13'-10"	—
u1(E)	4	#6	11'-6"	—
v(E)	188	#5	5'-6"	—
v1(E)	94	#4	3'-0"	—
v2(E)	12	#6	6'-8"	—
v3(E)	11	#6	7'-1"	—
v4(E)	3	#6	5'-11"	—
Structure Excavation			Cu. Yd.	38
Concrete Structures			Cu. Yd.	90.3
Concrete Encasement			Cu. Yd.	6.3
Reinforcement Bars			Pound	8,360
Epoxy Coated				
Furnishing Steel Piles			Foot	714
HP12x53				
Driving Piles			Foot	714
Test Pile Steel			Each	1
HP12x53				
Concrete Sealer			Sq. Ft.	768

PILE DATA

Type: HP12x53
Nominal Required Bearing: 419 Kip
Allowable Resistance Available: 139 Kip
Est. Length: 42'
No. Production Piles: 17
No. Test Piles: 1

NORTH ABUTMENT DETAILS
NB STRUCTURE
STRUCTURE NO. 028-0082

SHEET NO. 30	F.A.I. RTE.	SECTION	COUNTY	TOTAL SHEETS	SHEET NO.
	57	(28-3-1)VB-1	FRANKLIN	98	54
43 SHEETS	CONTRACT NO. 78068				
FED. ROAD DIST. NO. 7 ILLINOIS FED. AID PROJECT					
 OATES ASSOCIATES Consulting Engineers			Eastport Business Center 1 100 Lanter Court, Suite 1 Collinsville, Illinois 62234 618-345-2200 Design Firm License No. 184.001115		DESIGNED JAD CHECKED MJP DRAWN JAD CHECKED MJP



- Notes:
- For details of Bar Splicers, see sheet 40 of 43.
 - For details of piles and Concrete Encasement, See sheet 39 of 43.
 - For wingwall reinforcing locations and details. See sheet 33 of 43.
 - All edges shall have standard 3/4" chamfer.
 - Space reinforcement in cap to miss anchor bolts.
 - Fan s1(E) bars as required. Lap length varies to accommodate skew. Minimum lap length is 1'-4".
 - See Sec. Thru. Abut. on sheet 33 of 43 for bar locations.
 - Min. bar lap: #7 bars = 4'-10".
 - Median barrier to be poured with approach pavement.
 - Fan s4(E) bars as required. Lap length varies to accommodate skew. Minimum lap length is 1'-8".
 - Cut p3(E) bars in the field as required to fit.
 - Bars indicated thus 10 x 2-#7 etc. Indicates 10 lines of bars with 2 lengths per line.