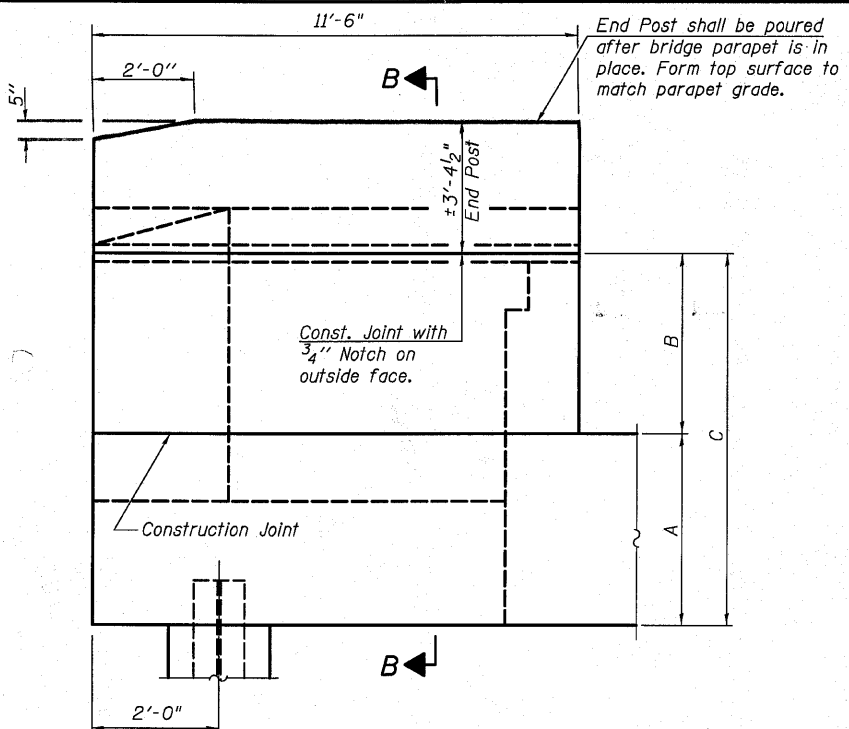
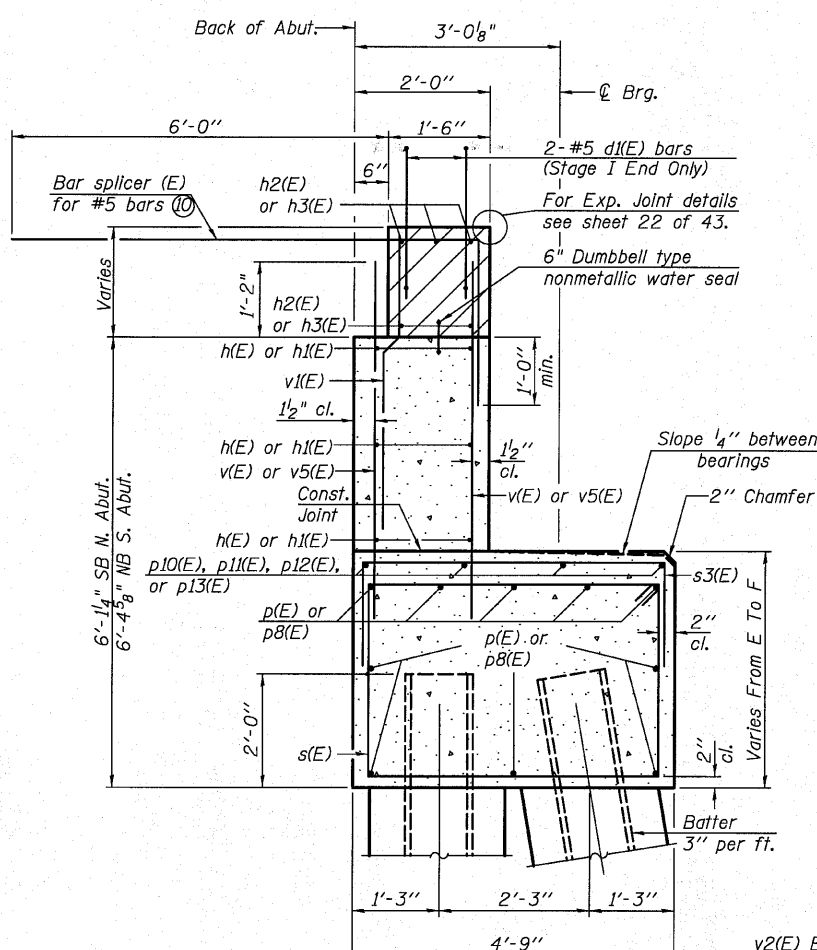
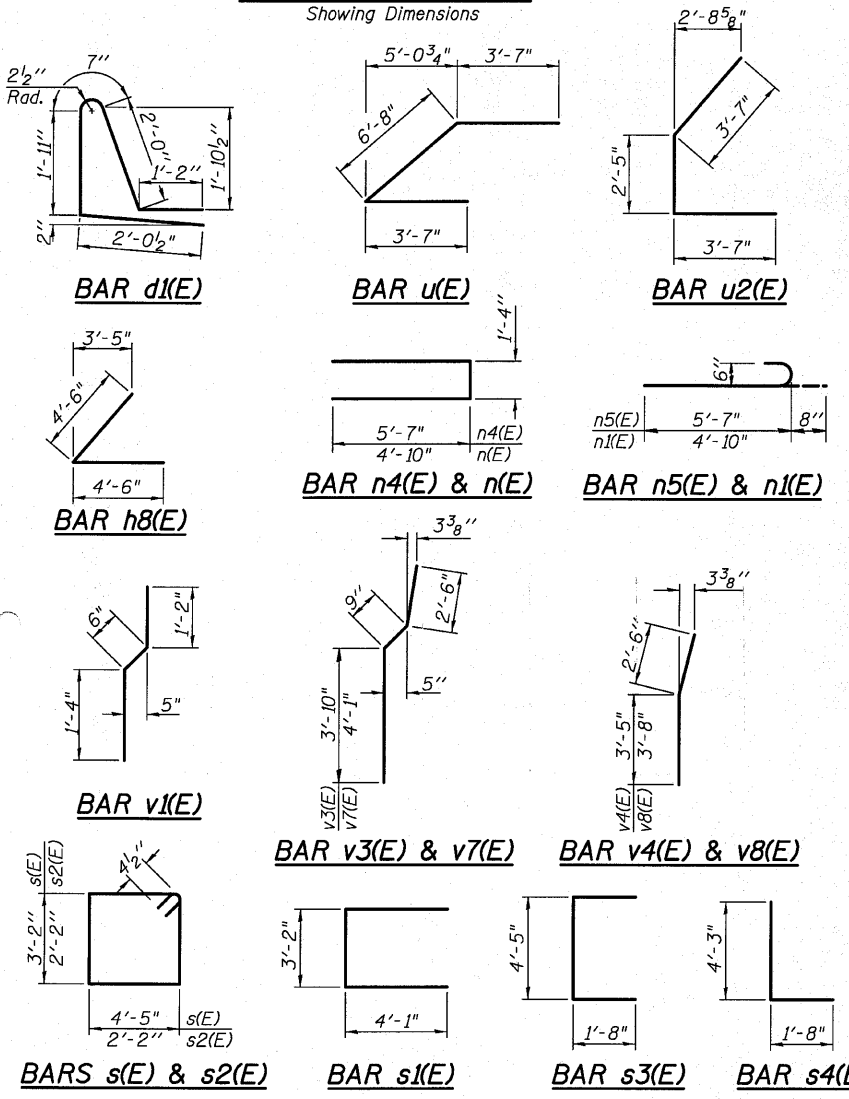


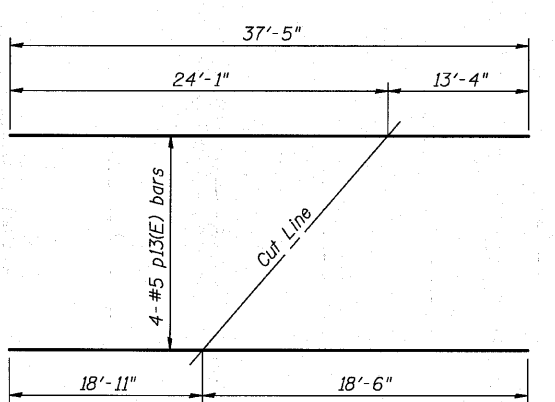
STATE OF ILLINOIS
DEPARTMENT OF TRANSPORTATION



WINGWALL ELEVATION
Showing Dimensions

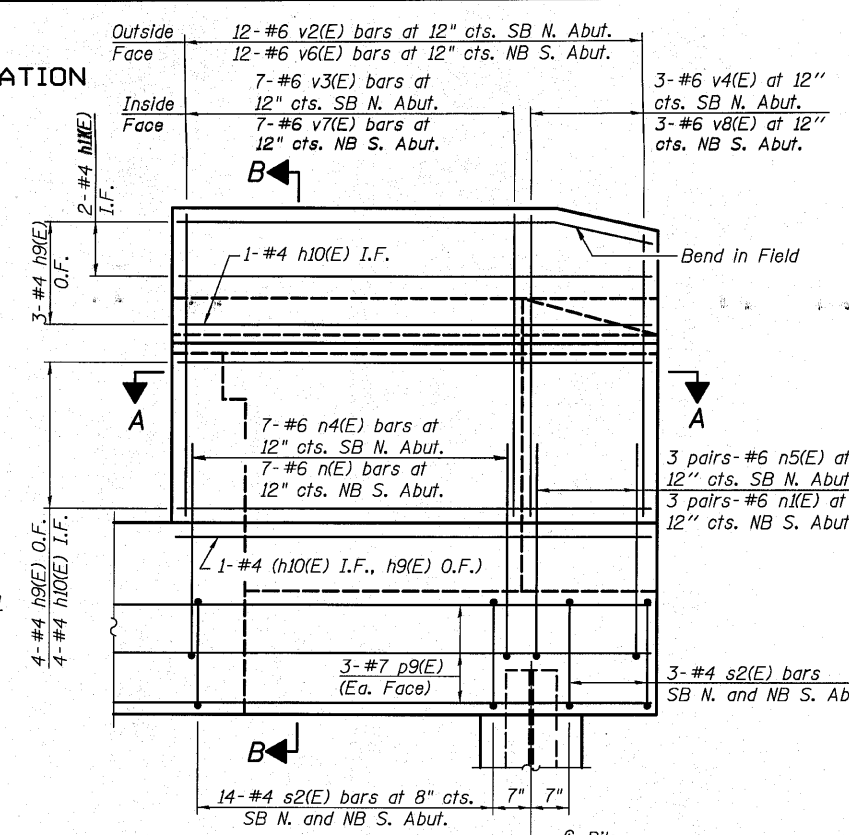


SEC. THRU. ABUT.

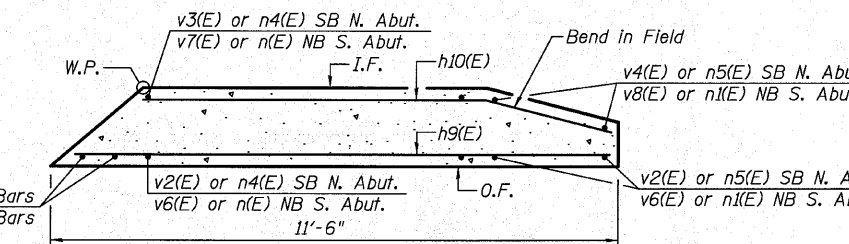


FIELD CUTTING DIAGRAM

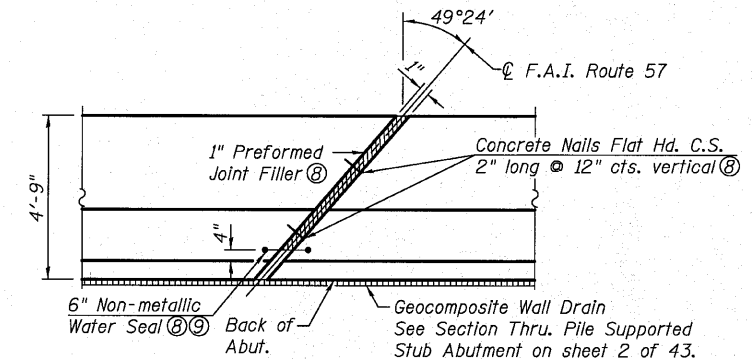
Order p13(E) full length. Cut as shown and use remainder of bars in stage II step.



WINGWALL ELEVATION
Showing Reinforcement



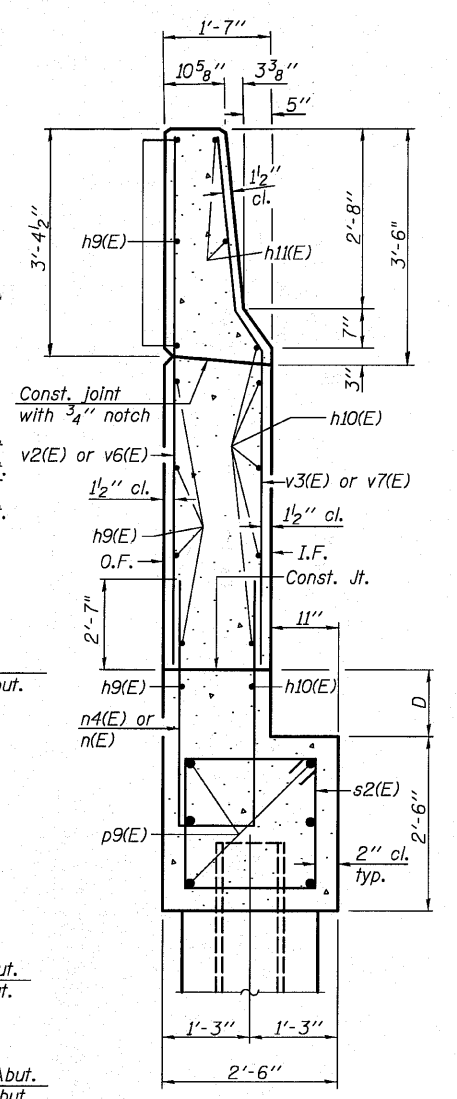
SECTION A-A



1" PREFORMED JOINT FILLER (P.J.F.) DETAIL

DIMENSION TABLE

	A	B	C	D	E	F
SB N. Wingwall	4'-2 1/2"	4'-1"	8'-3 1/2"	1'-8 1/2"	3'-6"	4'-4 3/8"
NB S. Wingwall	3'-6 3/8"	4'-4"	7'-10 1/8"	1'-0 1/8"	3'-6"	3'-11 7/8"



SECTION B-B

- Notes:**
- Hatched area to be poured after superstructure false work has been removed. Quantity of concrete included with Concrete Superstructure.
 - Space reinforcement in cap to miss anchor bolts.
 - Pour steps monolithically with cap.
 - Quantity of concrete in end post included with Concrete Superstructure.
 - For Concrete Encasement details, see sheet 39 of 43.
 - The abutments shall have all exposed surfaces of backwalls, bridge seats, and front faces of pile caps treated with Concrete Sealer.
 - I.F. denotes inside face. O.F. denotes outside face.
 - Cost to be included with Concrete Structures.
 - 6" Non-Metallic Water Seal shall extend from the top of the hatched block to the bottom of the abutment.
 - Bar Splicer (E) for #5 bars shall be placed parallel to the approach pavement reinforcement.

ABUTMENT DETAILS
SB NORTH & NB SOUTH
STRUCTURE NO. 028-0081 (SB)
STRUCTURE NO. 028-0082 (NB)

SHEET NO. 34	F.A.I. RTE.	SECTION	COUNTY	TOTAL SHEETS	SHEET NO.
	57	(28-3-1)VB-1	FRANKLIN	98	58
43 SHEETS	FED. ROAD DIST. NO. 7 ILLINOIS		CONTRACT NO. 78068		
FED. AID PROJECT					
<p>OATES ASSOCIATES Consulting Engineers</p>	Eastport Business Center 1 100 Lanter Court, Suite 1 Collinsville, Illinois 62234 618-345-2200 Design Firm License No. 184.001115			DESIGNED JAD CHECKED MJP DRAWN JAD CHECKED MJP	