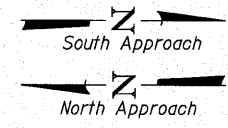
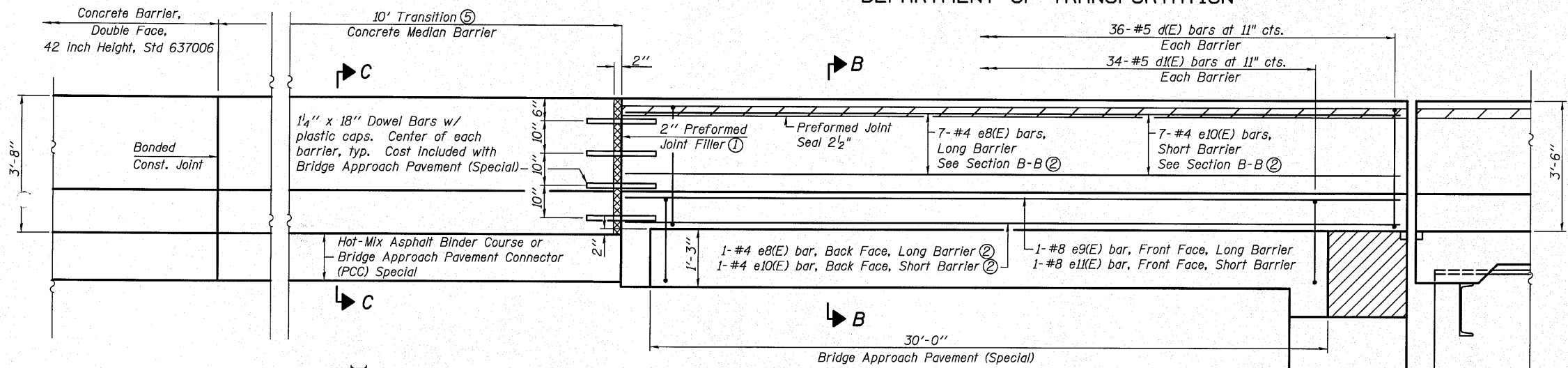


STATE OF ILLINOIS
DEPARTMENT OF TRANSPORTATION

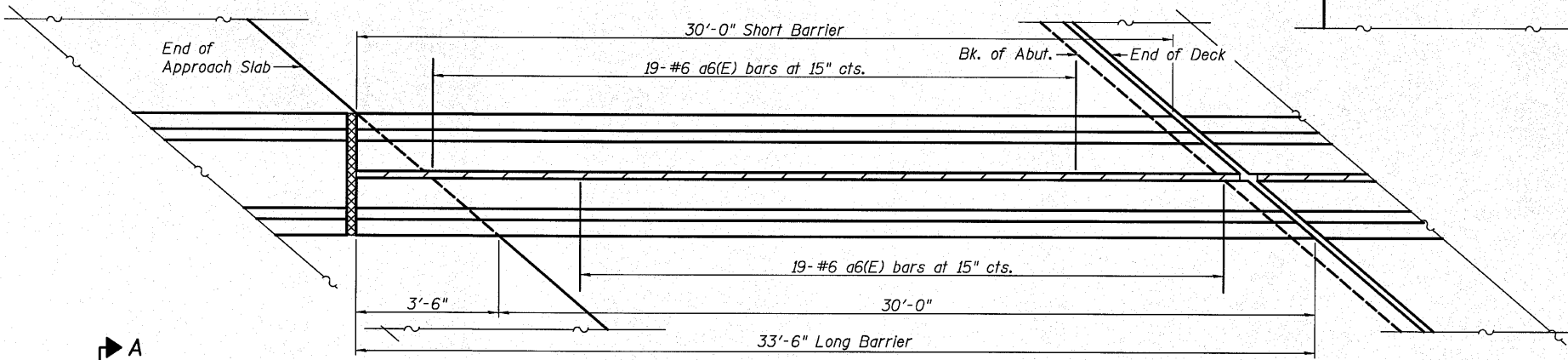


BILL OF MATERIAL

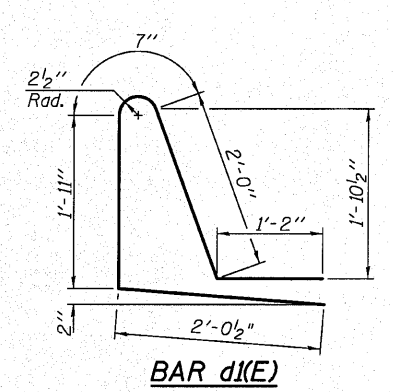
(Two Locations)
(For Information Only) ③

Bar	No.	Size	Length	Shape
a6(E)	76	#6	6'-0"	—
d(E)	144	#5	6'-10"	⌒
d1(E)	136	#5	7'-9"	⌒
e8(E)	16	#4	32'-6"	—
e9(E)	2	#8	32'-6"	—
e10(E)	16	#4	31'-1"	—
e11(E)	2	#8	30'-1"	—
Preformed Joint Seal 2 1/2"	Foot		63.5	
Concrete Superstructure	Cu. Yd.		16.2	
Reinforcement Bars, Epoxy Coated	Pound		3,820	

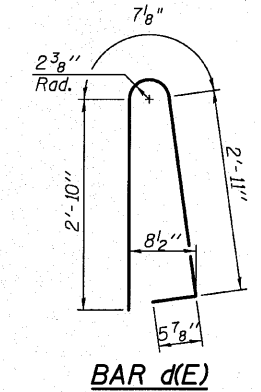
SECTION A-A



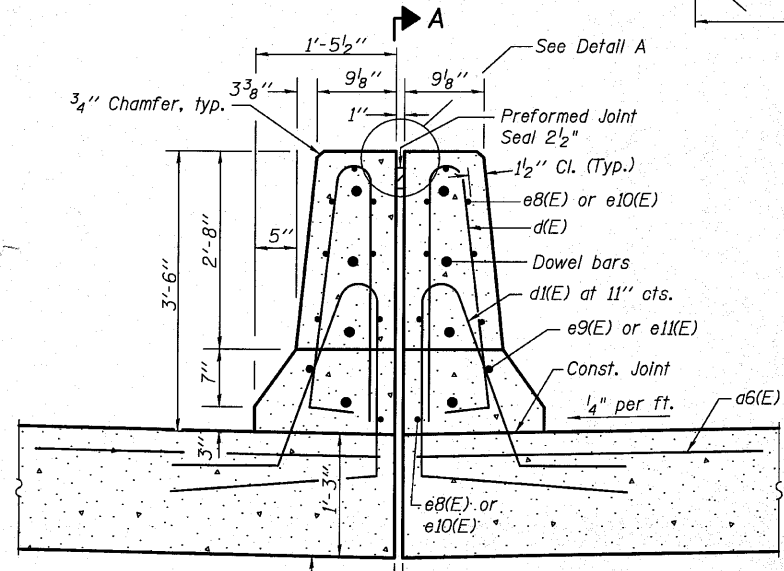
PLAN



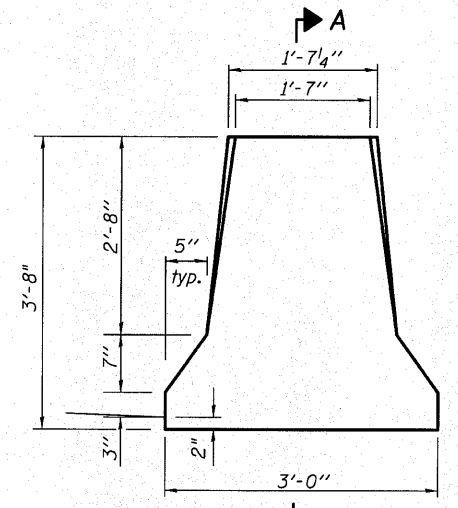
BAR d1(E)



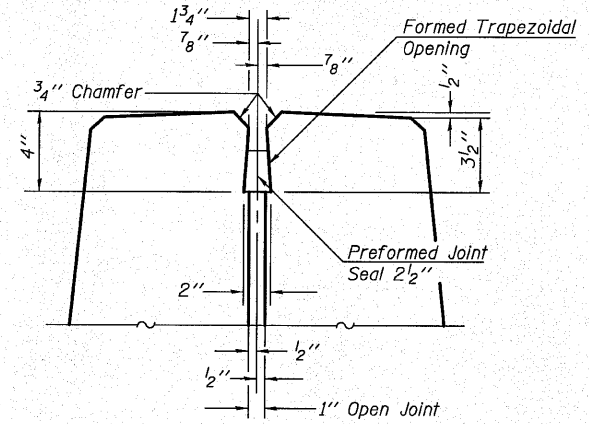
BAR d(E)



SECTION B-B



SECTION C-C



DETAIL A

Notes:

- See Section 1051 of the Standard Specifications. Cost included with Bridge Approach Pavement (Special).
- Cut bars in field as required to fit skew.
- Pay items and quantities are for information only. Cost included with Bridge Approach Pavement (Special) in roadway plans.
- See Bridge Approach Pavement (Special) detail sheets for details not shown.
- The cost of the 10' transition concrete median barrier shall be included in the overall length measured for Concrete Barrier, Double Face, 42 Inch Height. See Section 637 of the Standard Specifications for additional requirements.

**MEDIAN BARRIER ON APPROACH
PAVEMENT DETAILS
STRUCTURE NO. 028-0081 (SB)
STRUCTURE NO. 028-0082 (NB)**

SHEET NO.	F.A.I. RTE.	SECTION	COUNTY	TOTAL SHEETS	SHEET NO.
41	57	(28-3-1)VB-1	FRANKLIN	98	65
43 SHEETS			CONTRACT NO. 78068		
FED. ROAD DIST. NO. 7 ILLINOIS FED. AID PROJECT					
 Eastport Business Center 1 100 Lanter Court, Suite 1 Collinsville, Illinois 62234 618-345-2200 Design Firm License No. 184.001115			DESIGNED JAD CHECKED DGL DRAWN JAD CHECKED DGL		