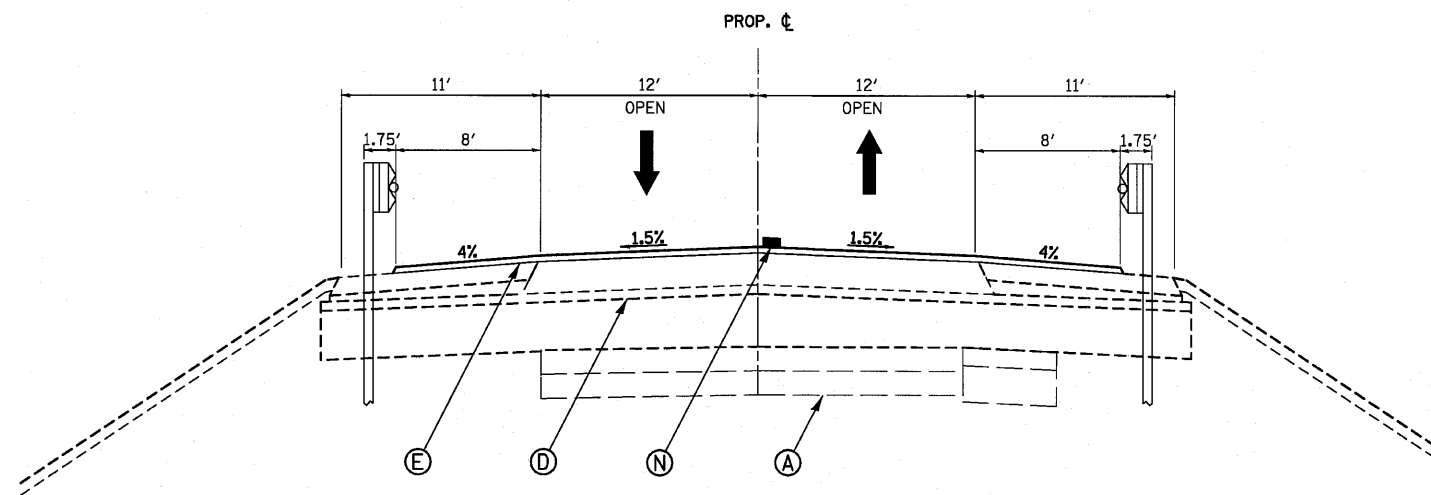


STAGING TYPICAL SECTIONS

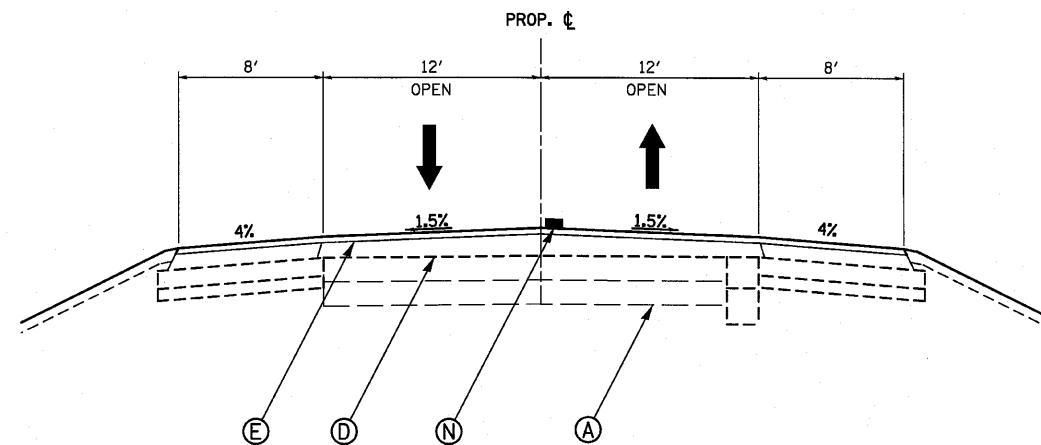
LEGEND

- (A) EXIST. PAVEMENT STRUCTURE
- (B) EXIST. PAVEMENT AND SHOULDER STRUCTURE - TO BE REMOVED
- (C) EXIST. GUARDRAIL W/PROP. GUARDRAIL MARKERS
- (D) PROP. PAVEMENT STRUCTURE (AGGREGATE BASE/HMA BINDER)
- (E) PROP. SURFACE COURSE
- (F) PROP. HOT MIX ASPHALT SHOULDER/AGGREGATE BASE COURSE
- (G) PROP. AGGREGATE SUB-BASE
- (H) PROP. STEEL PLATE BEAM GUARDRAIL, TYPE A W/GUARDRAIL MKRS.
- (I) PROP. BASE COURSE WIDENING
- (J) TEMPORARY PAVEMENT
- (K) AGGREGATE WEDGE SHOULDER, TYPE B
- (L) TEMPORARY PAVEMENT MARKING LINE
- (M) SAWCUT - FULL DEPTH
- (N) SHORT-TERM PAVEMENT MARKINGS



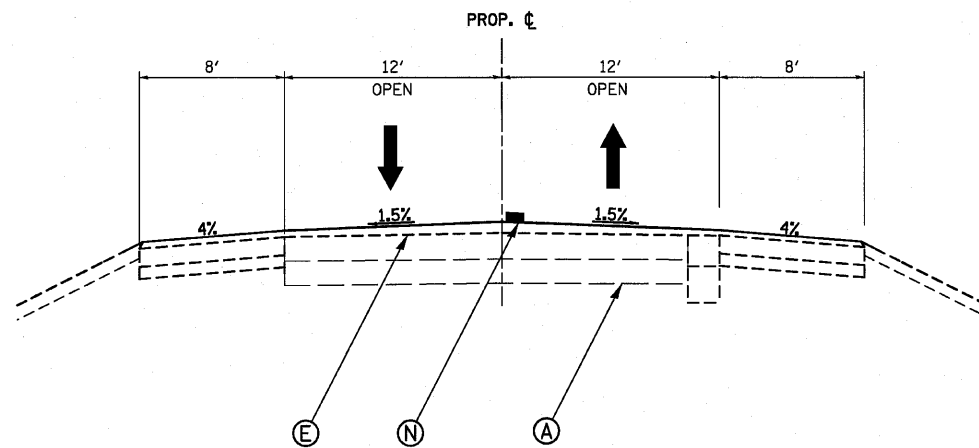
**STAGE 3
FINAL SURFACE COURSE**

STD. 701201
STA. 939+99 TO STA. 942+16
STA. 944+99 TO STA. 946+78



**STAGE 3
FINAL SURFACE COURSE**

STD. 701201
STA. 938+75 TO STA. 939+99
STA. 946+78 TO STA. 948+15

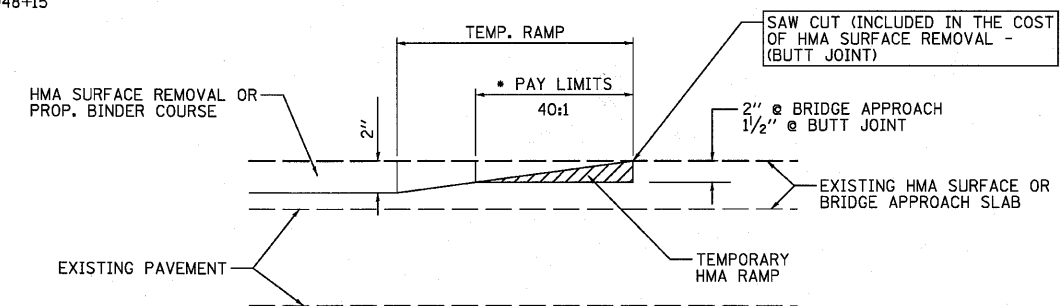


**STAGE 3
FINAL SURFACE COURSE**

STD. 701201
STA. 935+80 TO STA. 938+75
STA. 948+15 TO STA. 950+92

STAGE 3

- OPEN ALL LANES TO TRAFFIC FROM STA. 936+40 TO STA. 950+32.
- CONSTRUCT PAVEMENT SURFACE REMOVAL (BUTT JOINTS) AND TEMPORARY RAMPS STA. 935+80 TO STA. 936+40 AND STA. 950+32 TO STA. 950+92.
- MAINTENANCE OF TRAFFIC FOR THE BUTT JOINT CONSTRUCTION SHALL BE COMPLETED UTILIZING TRAFFIC CONTROL STD. 701201.
- APPLY BITUMINOUS TACK COAT. MAINTENANCE OF TRAFFIC FOR THE TACK COAT SHALL BE COMPLETED UTILIZING TRAFFIC CONTROL STD. 701201.
- CONSTRUCT HMA SURFACE COURSE FROM STA. 935+80 TO STA. 942+16 AND STA. 944+98 TO STA. 950+92. THIS WORK SHALL BE COMPLETED UTILIZING TRAFFIC CONTROL STANDARDS 701201.
- PLACE ALL PERMANENT PAVEMENT MARKINGS STA. 935+80 TO STA. 950+92.
- COMPLETE RESTORATION OF THE PROJECT AREA.
- REMOVE REMAINING CONSTRUCTION TRAFFIC CONTROL DEVICES AND SIGNAGE.



TYPICAL TEMPORARY RAMP

HMA CONSTRUCTED TEMPORARY RAMP (FOR BUTT JOINT AND HMA TAPER)

- 6'-6" BRIDGE APPROACHS
- 5'-0" BUTT JOINTS

FILE NAME = P:\CIBEL WEST Prj\cibela\28079\24102.W09_IL\09\Civil\09\Sho\2808\854-nt\stms-typtsec3.dgn

WBK WILLS BURKE KELSEY ASSOCIATES LTD.
116 West Main Street, Suite 201
St. Charles, Illinois 60174
(630) 443-7755

USER NAME = USER#	DESIGNED -	REVISED -
PLOT SCALE =	DRAWN -	REVISED -
PLOT DATE = 8/2/2010	CHECKED -	REVISED -
	DATE - 8/6/10	REVISED -

**STATE OF ILLINOIS
DEPARTMENT OF TRANSPORTATION**

**MAINTENANCE OF TRAFFIC
TYPICAL SECTIONS**

SCALE: SHEET NO. 13 OF 90 SHEETS STA. TO STA.

F.A. RTE.	SECTION	COUNTY	TOTAL SHEETS	SHEET NO.
646	BBR-1	WHITESIDE	90	13
CONTRACT NO. 84854				
FED. ROAD DIST. NO. 2 ILLINOIS FED. AID PROJECT				