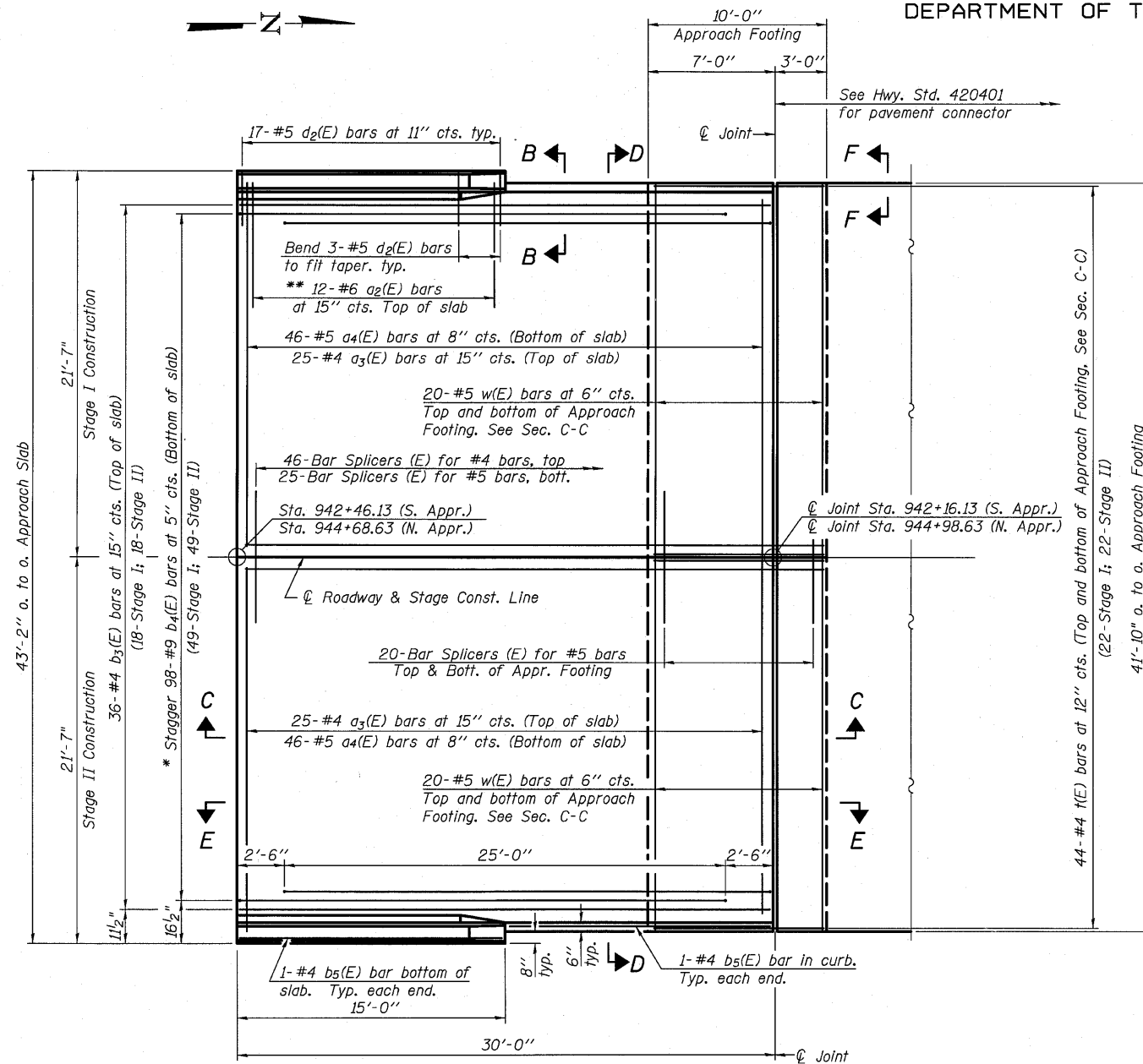


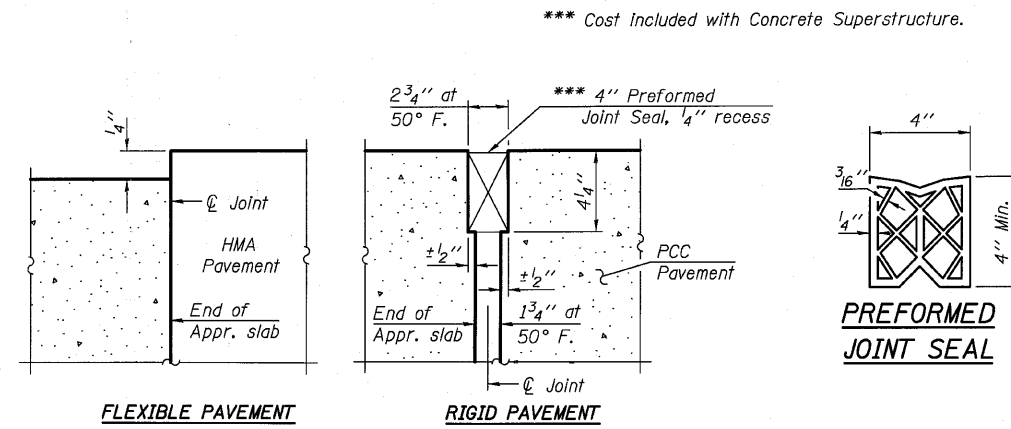
STATE OF ILLINOIS
DEPARTMENT OF TRANSPORTATION

Notes:
See sheet 13 of 26 for Sections C-C & D-D and View E-E.
a₃(E) and a₄(E) bar spacings measured along \varnothing Rdwy.

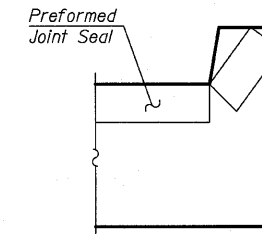


PLAN
(North Approach shown, South Approach similar)

* Tilt #9 b₄(E) bars as required to maintain clearance.
** Space between a₃(E) bars, typ. ea. parapet.

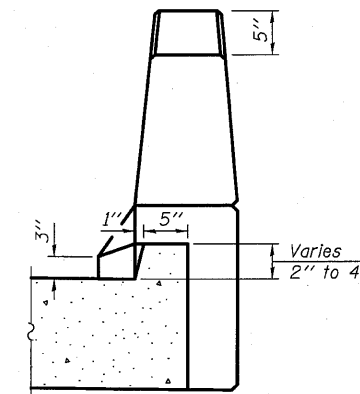


DETAIL A



VIEW F-F

Angle Preformed Joint Seal at 45° at curbs when req'd for drainage.



VIEW B-B

DESIGNED -	AEU
CHECKED -	MH/DLS
DRAWN -	AWH
CHECKED -	AEU

(Sheet 1 of 2)
BRIDGE APPROACH SLAB DETAILS
STRUCTURE NO. 098-0117

WILLS BURKE KELSEY ASSOCIATES LTD. 116 West Main Street, Suite 201 St. Charles, Illinois 60174 (630) 443-7755	SHEET NO. 12	F.A.P. RTE.	SECTION	COUNTY	TOTAL SHEETS	SHEET NO.	
	26 SHEETS	646	8BR-1	WHITESIDE	90	46	
						CONTRACT NO. 84854	
							ILLINOIS FED. AID PROJECT