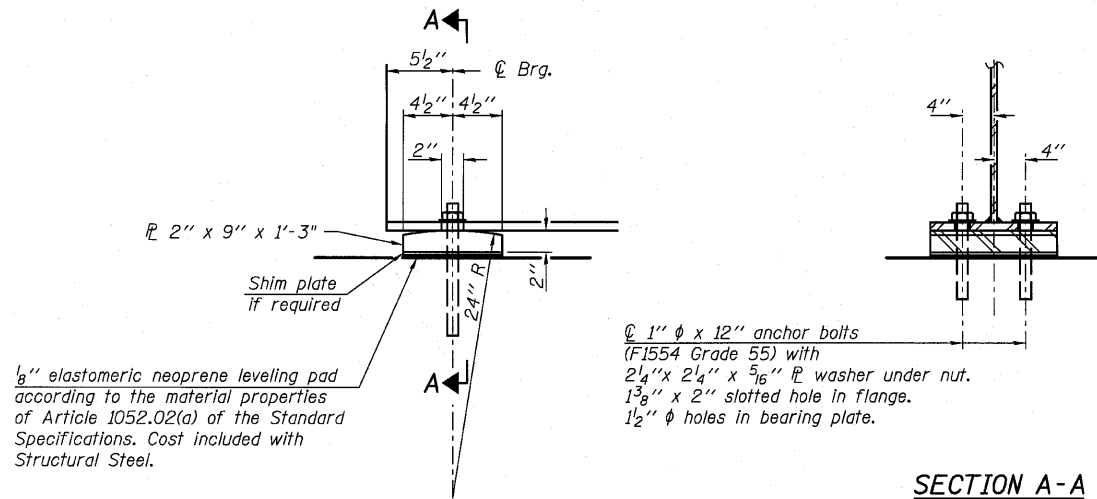


STATE OF ILLINOIS
DEPARTMENT OF TRANSPORTATION

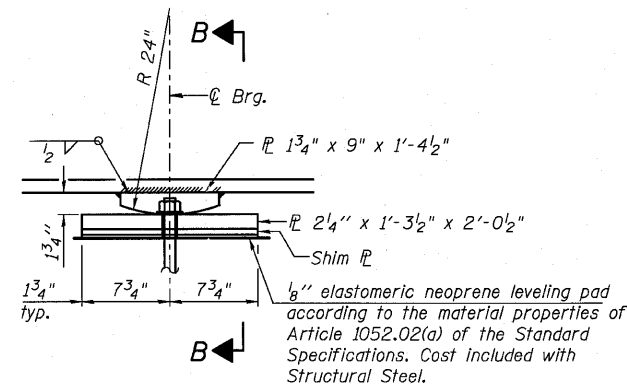


1/8" elastomeric neoprene leveling pad according to the material properties of Article 1052.02(a) of the Standard Specifications. Cost included with Structural Steel.

1" ϕ x 12" anchor bolts (F1554 Grade 55) with 2 1/4" x 2 1/4" x 5/16" \mathbb{P} washer under nut. 1 3/8" x 2" slotted hole in flange. 1 1/2" ϕ holes in bearing plate.

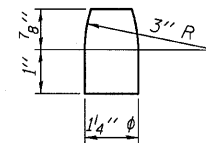
ELEVATION AT ABUTMENT

FIXED BEARING AT INTEGRAL ABUTMENT
(12 Required)

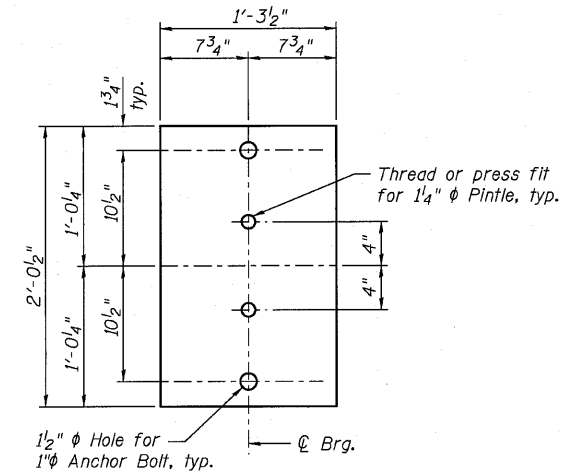


ELEVATION AT PIER

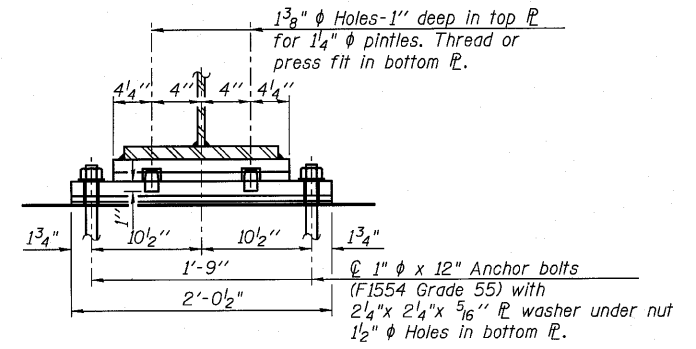
FIXED BEARING AT PIER
(6 Required)



PINTLE
(Fy=36 ksi)



BOTTOM BEARING PLATE



SECTION B-B

Notes:

Anchor bolts shall be ASTM F1554 all-thread (or an Engineer-approved alternate material) of the grade(s) and diameter(s) specified. The corresponding specified grade of AASHTO M314 anchor bolts may be used in lieu of ASTM F1554.

Anchor bolts at fixed bearings may be either cast in place or installed in holes drilled after the supported member is in place.

Drilled and set anchor bolts shall be installed according to Article 521.06 of the Standard Specifications.

All bearing plates shall be AASHTO M270, Grade 50.

Two 1/8 in. adjusting shims shall be provided for each bearing in addition to all other plates or shims and placed as shown on bearing details.

BILL OF MATERIAL

Item	Unit	Total
Anchor Bolts, 1"	Each	36

BEARING DETAILS
STRUCTURE NO. 098-0117

DESIGNED -	AEU
CHECKED -	DLS
DRAWN -	AWH
CHECKED -	AEU

WILLS BURKE KELSEY ASSOCIATES LTD. 116 West Main Street, Suite 201 St. Charles, Illinois 60174 (630) 443-7755	SHEET NO. 17	F.A.P. RTE.	SECTION	COUNTY	TOTAL SHEETS	SHEET NO.
	26 SHEETS	646	8BR-1	WHITESIDE	90	51
						CONTRACT NO. 84854
ILLINOIS FED. AID PROJECT						