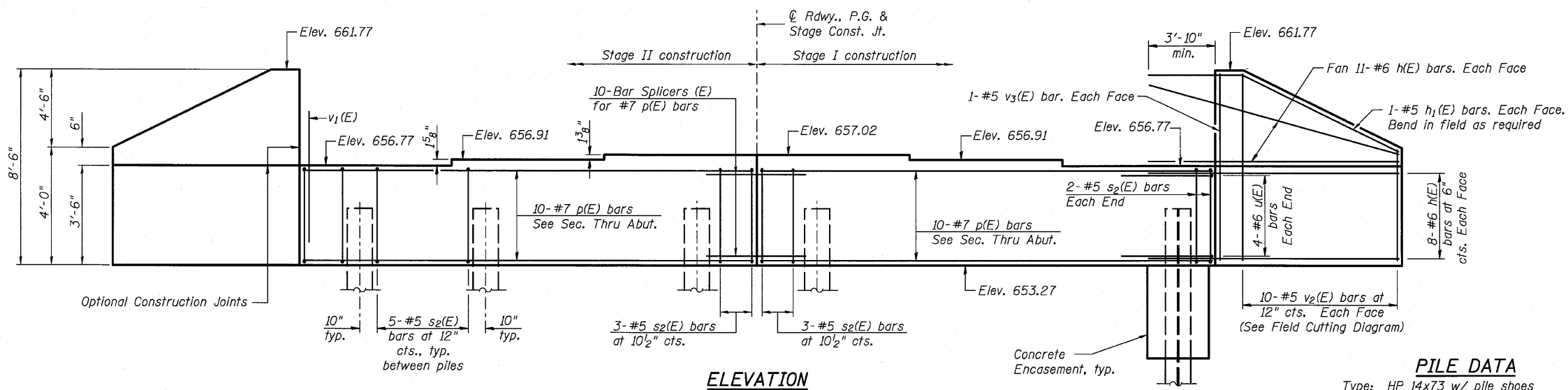
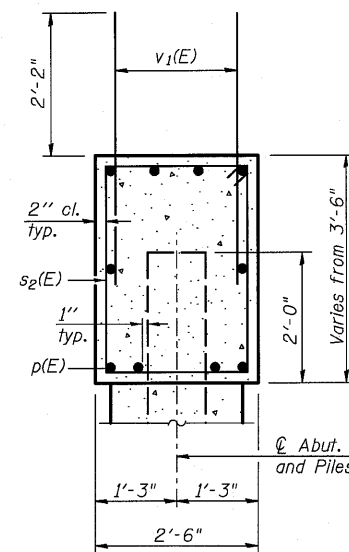


STATE OF ILLINOIS  
DEPARTMENT OF TRANSPORTATION

Notes:  
Pour steps monolithically with cap.  
Space reinforcement in cap to miss anchor bolts.



ELEVATION



SEC. THRU ABUT.

PILE DATA

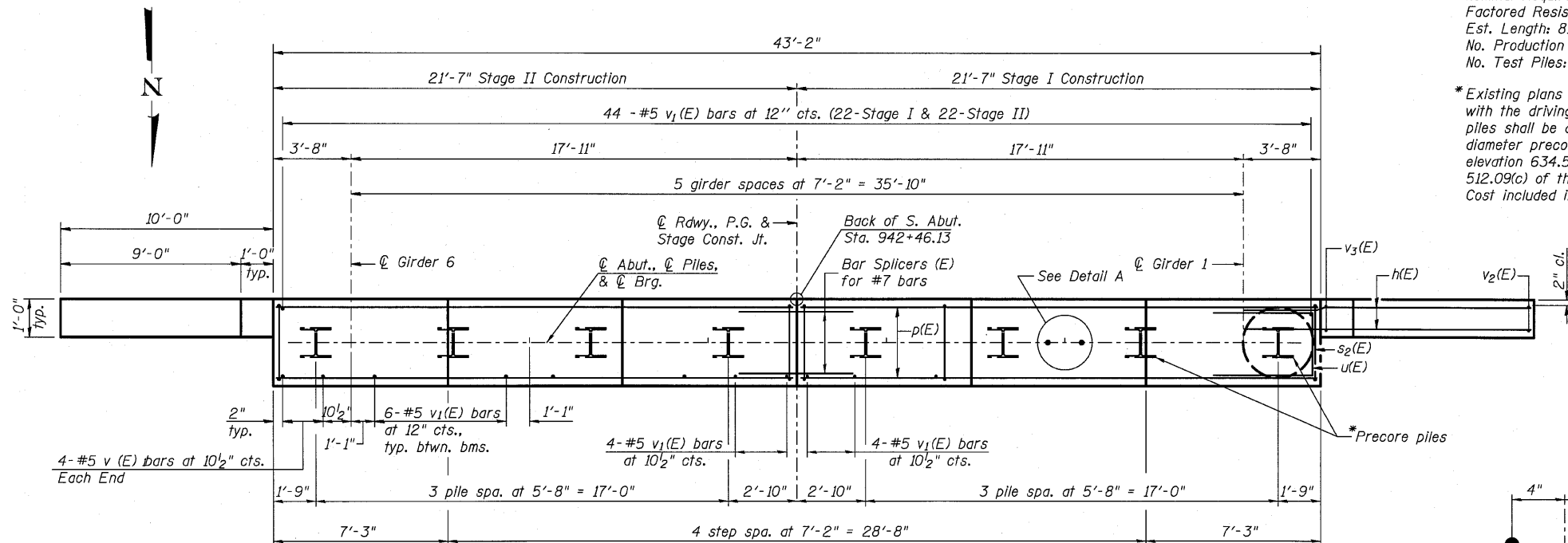
Type: HP 14x73 w/ pile shoes  
Nominal Required Bearing: 480 kips  
Factored Resistance Available: 240 kips  
Est. Length: 81' (88'-Precored Piles)  
No. Production Piles: 7  
No. Test Piles: 1

\* Existing plans indicate the existing footing may interfere with the driving of the two westernmost piles, therefore piles shall be driven through 20-inch diameter precored holes extending to elevation 634.58 according to Article 512.09(c) of the Standard Specifications. Cost included in driving piles.

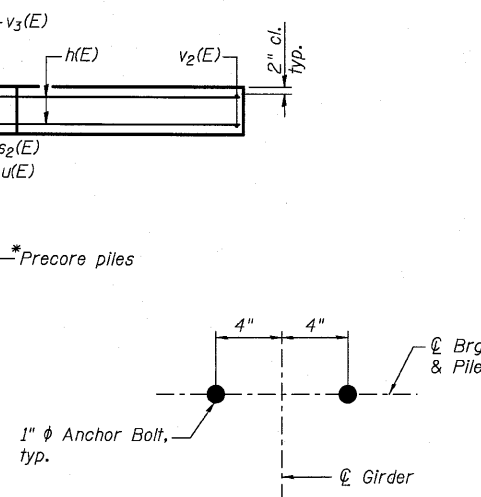
BILL OF MATERIAL

Bar	No.	Size	Length	Shape
h(E)	76	#6	13'-8"	—
h1(E)	4	#5	14'-8"	—
p(E)	20	#7	21'-3"	—
s2(E)	40	#5	11'-7"	□
u(E)	8	#6	8'-1"	—
v1(E)	84	#5	4'-4"	—
v2(E)	20	#5	11'-10"	—
v3(E)	4	#5	8'-2"	—
Structure Excavation		Cu. Yd.	144	
Concrete Structures		Cu. Yd.	10.6	
Reinforcement Bars, Epoxy Coated		Pound	3,730	
Furnishing Steel Piles HP 14x73		Foot	581	
Driving Piles		Foot	581	
Test Pile Steel HP 14x73		Each	1	
Pile Shoes		Each	8	
Concrete Encasement		Cu. Yd.	4.4	

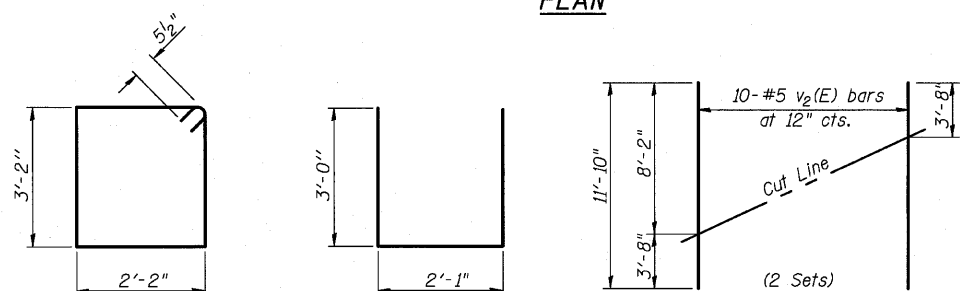
For details of Bar Splicers, see sheet 22 of 26.  
For details of piles and Concrete Encasement, see sheet 21 of 26.  
For drainage details, see sheet 2 of 26.



PLAN



DETAIL A



FIELD CUTTING DIAGRAM

Order v2(E) full length. Cut as shown and use remainder of bars in opposite face.

DESIGNED -	AEU
CHECKED -	DLS
DRAWN -	AWH
CHECKED -	AEU

BAR s2(E)

BAR u(E)

SOUTH ABUTMENT  
STRUCTURE NO. 098-0117

<b>WILLS BURKE KELSEY ASSOCIATES LTD.</b> 116 West Main Street, Suite 201 St. Charles, Illinois 60174 (630) 443-7755	SHEET NO. 18	F.A.P. RTE. 646	SECTION 8BR-1	COUNTY WHITESIDE	TOTAL SHEETS 90	SHEET NO. 52
	26 SHEETS	CONTRACT NO. 84854			ILLINOIS FED. AID PROJECT	