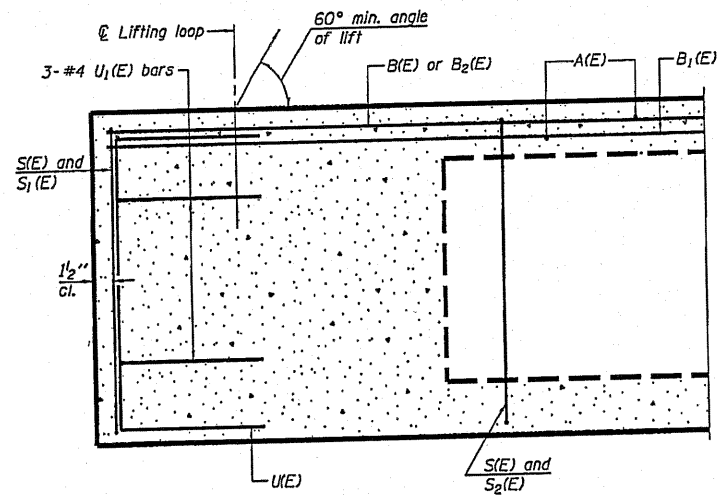
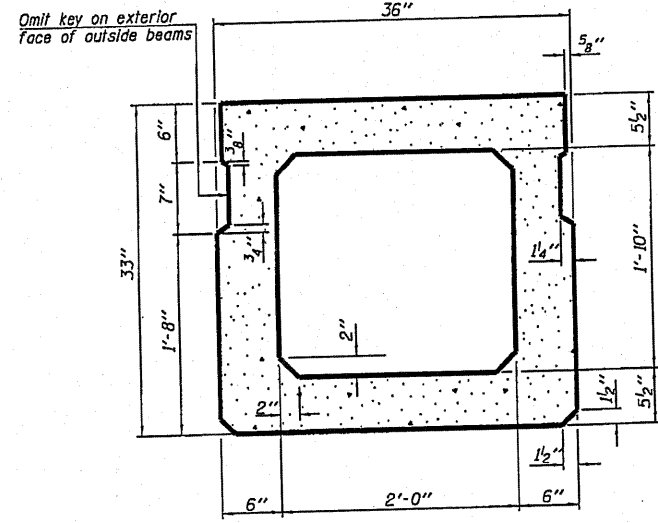


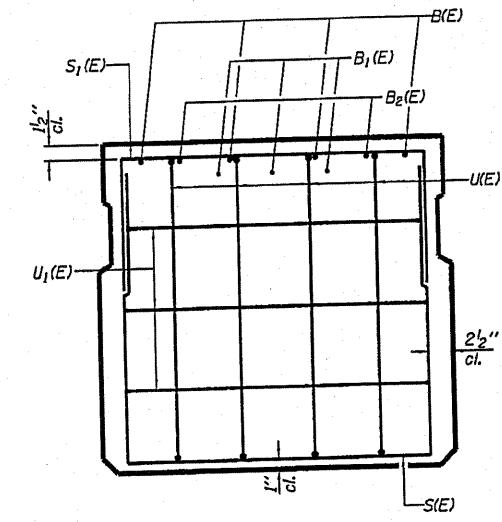
ROUTE NO.	SECTION	COUNTY	TOTAL SHEETS	SHEET NO.
C.H. 5	10-00150-00-BR	HENRY	6	4
STA.		TO STA.		
F.H.W.A. REG.		ILLINOIS PROJECT		



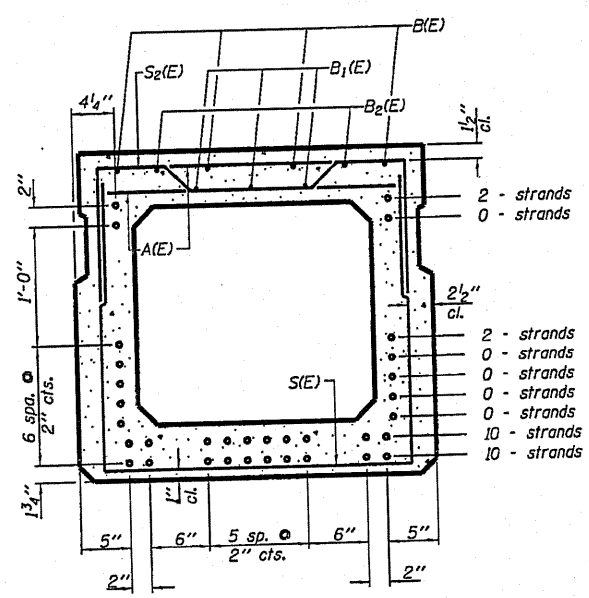
SECTION C-C



SECTION A-A
(Showing dimensions)



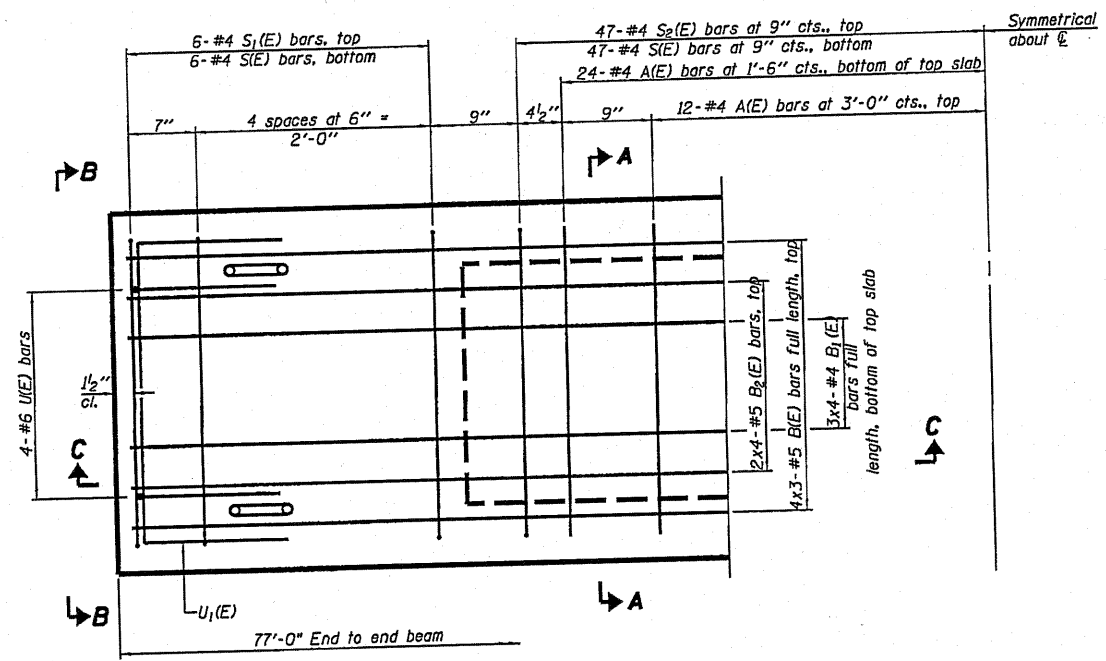
VIEW B-B



SECTION A-A

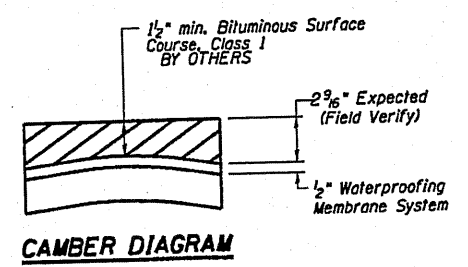
(Showing reinforcement and permissible strand locations)
 Note: Place the number of strands specified in each row symmetrically about the centerline of beam in the permissible strand locations shown.
 Strand Pattern 24SS (10@1 3/4", 10@3 3/4", 2@13 3/4", 2@27 3/4")

NOTE
 The existing beams were previously grouted at the beam bearings at the existing abutments.
 The existing abutment caps shall be cleaned of all materials which would interfere with setting the new Precast Prestressed Concrete Deck Beams, prior to setting. This work shall not be paid for separately and is included with the cost of Precast Prestressed Concrete Deck Beams (33" depth).



PLAN VIEW

Note: Spacing of S(E) and S2(E) bars may be adjusted up to 4" in the immediate area of the transverse tie diaphragms to miss the block outs for the transverse ties.



CAMBER DIAGRAM

BAR LIST
ONE BEAM ONLY
 (For information only)

Bar	No.	Size	Length	Shape
A(E)	72	#4	2'-7"	—
B(E)	12	#5	27'-3"	—
B1(E)	12	#4	20'-10"	—
B2(E)	8	#5	21'-2"	—
S(E)	106	#4	7'-5"	U
S1(E)	12	#4	6'-3"	U
S2(E)	94	#4	6'-6"	U
U(E)	8	#6	5'-0"	C
U1(E)	6	#4	5'-0"	C

Note: See other superstructure sheet for additional details and Bill of Material.

33" x 36" PPC DECK BEAM

SUPER STRUCTURE
 SECTION: 10-00150-00-BR
 HENRY COUNTY
 CENTERLINE STATION 73+27