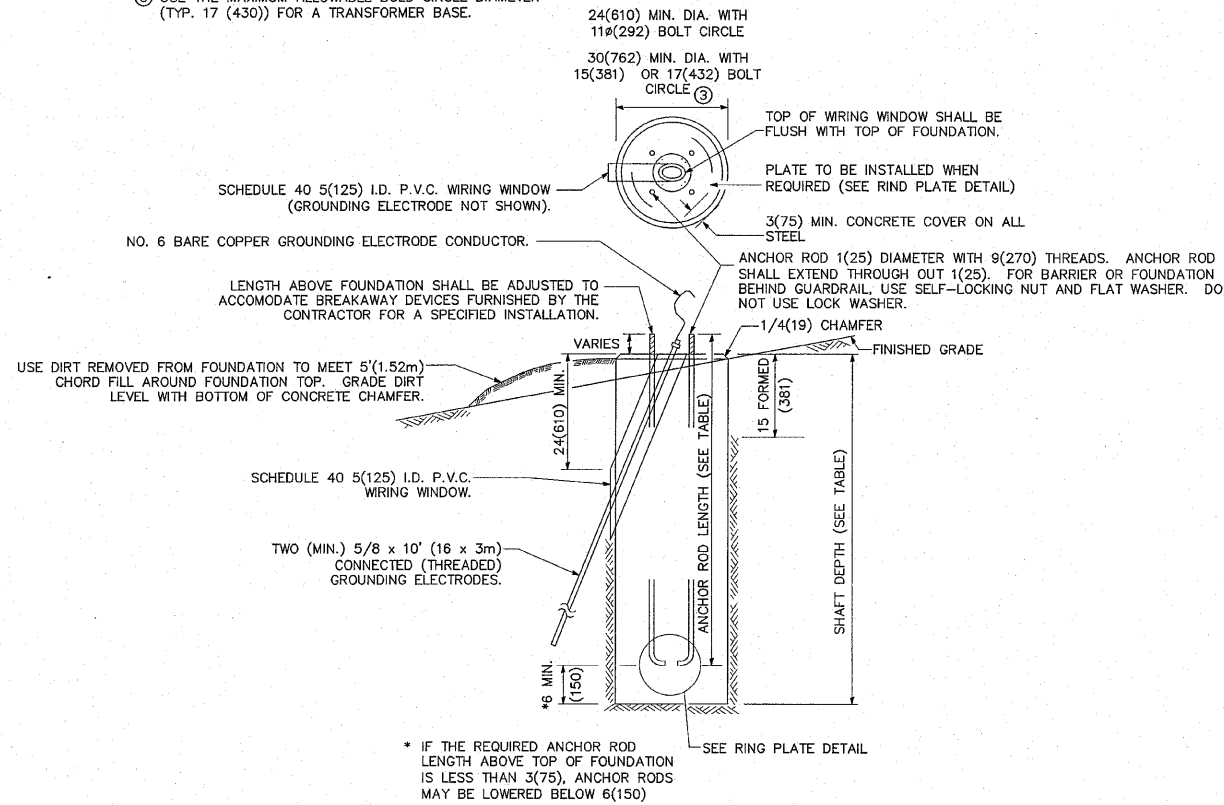


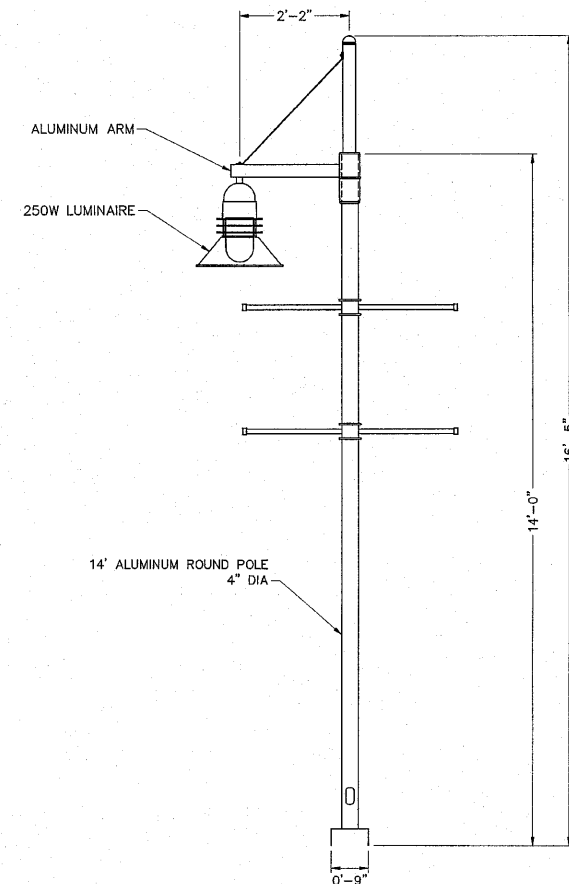
**1 ENCLOSURE DETAIL**  
SCALE: NONE

LIGHT POLE MOUNTING HEIGHT	BOLT CIRCLE DIAMETER	METAL FOUNDATION			CONCRETE FOUNDATION		
		SHAFT DIAMETER	SHAFT DEPTH	TOP PLATE (min)	SHAFT DIAMETER	SHAFT DEPTH	ANCHOR ROD LENGTH (1)
30' (9.1 m)	11φ (292)	8 5/8 (220)	6' (1.83 m)	12 x 12 x 1 (300 x 300 x 25)	24 (610)	5'-0" (1.52 m)	4'-9" (1.45 m)
31'-35' (9.4 m - 10.7 m)	11φ (292)	8 5/8 (220)	6' (1.83 m)	12 x 12 x 1 (300 x 300 x 25)	24 (610)	5'-6" (1.67 m)	5'-3" (1.60 m)
36'-40' (10.9 m - 12.2 m)	15 (381) (3)	8 5/8 (220)	6' (1.83 m) (2)	15 x 15 x 1 1/2 (375 x 375 x 31)	30 (762)	6'-0" (1.83 m)	5'-9" (1.75 m)
41'-45' (12.5 m - 13.7 m)	15 (381) (3)	8 5/8 (220)	6' (1.83 m) (2)	15 x 15 x 1 1/2 (375 x 375 x 31)	30 (762)	6'-6" (1.98 m)	6'-3" (1.90 m)
46'-50' (14.0 m - 15.2 m)	15 (381) (3)	8 5/8 (220)	8' (2.44 m)	15 x 15 x 1 1/2 (375 x 375 x 31)	30 (762)	7'-0" (2.13 m)	6'-9" (2.00 m)

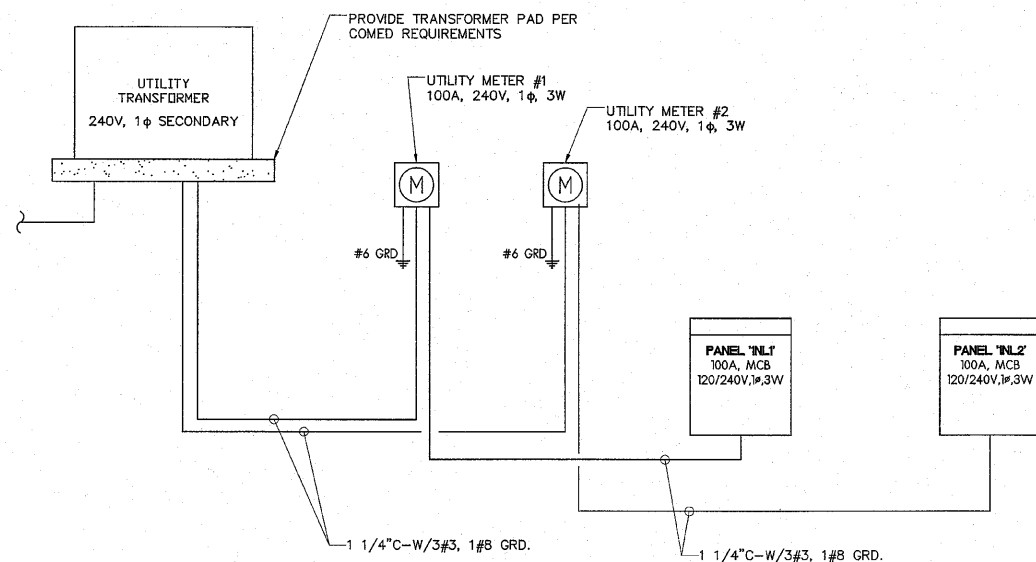
- ① LENGTH DOES NOT INCLUDE 4(100) HOOK.
- ② 8 1/2 x 8'-0" (220x2.44m) FOR TWIN LUMINAIRES.
- ③ USE THE MAXIMUM ALLOWABLE BOLT CIRCLE DIAMETER (TYP. 17 (430)) FOR A TRANSFORMER BASE.



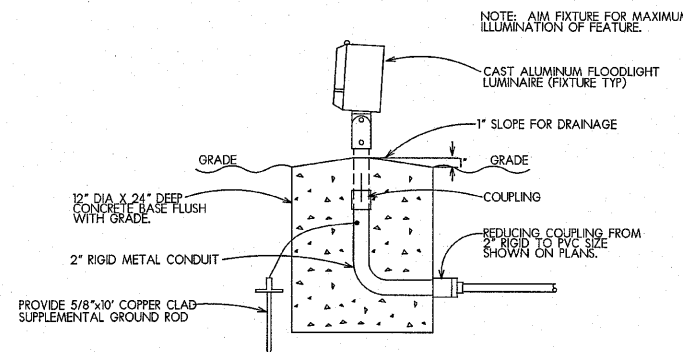
**3 CONCRETE FOUNDATION**  
SCALE: NONE



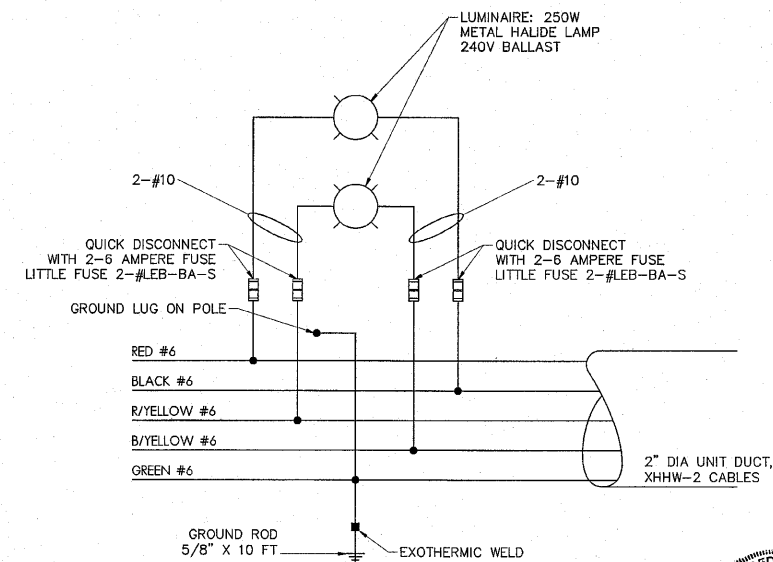
**5 POLE DETAIL**  
SCALE: NONE



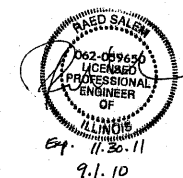
**2 ONE-LINE DIAGRAM**  
SCALE: NONE



**4 LIGHT FIXTURE FOUNDATION - SPECIAL**  
SCALE: NONE



**6 POLE WIRING DETAIL**  
SCALE: NONE



**Larson & Darby Group**  
Architects Engineers Planners  
Professional Engineer  
9.1.10

SCALE: NA  
DRAWN BY: MS  
CHECKED BY: JWH  
DATE: 4/16/2010

**McClure**  
Engineering Associates, Inc.  
7282 Argus Drive Rockford, Illinois 61107-5877  
(815) 398-2332 FAX (815) 398-2494  
Design Firm License: Illinois 184-000816  
Copyright 2010 By McClure Engineering Associates, Inc.

**ELECTRICAL DETAILS**  
RIVERWALK MUSEUM CAMPUS  
ROCKFORD, IL  
FILE: P:\20020 MCCLURE - ROCKFORD RIVERWALK\DWG\VELEC\20020 E6.1.DWG  
JOB: 04-28-10-008

SHEET NO.  
**43**  
OF  
**138**