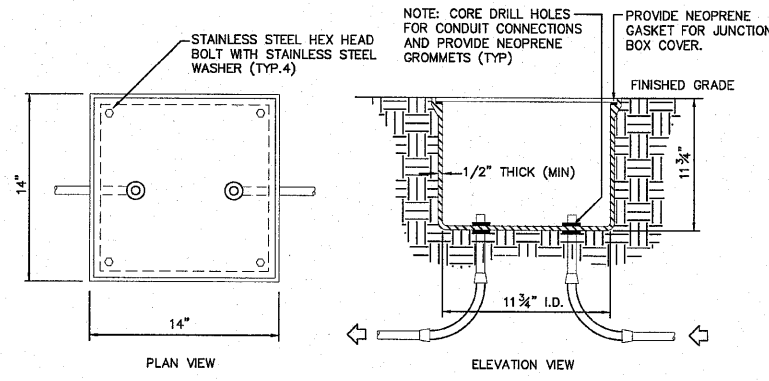
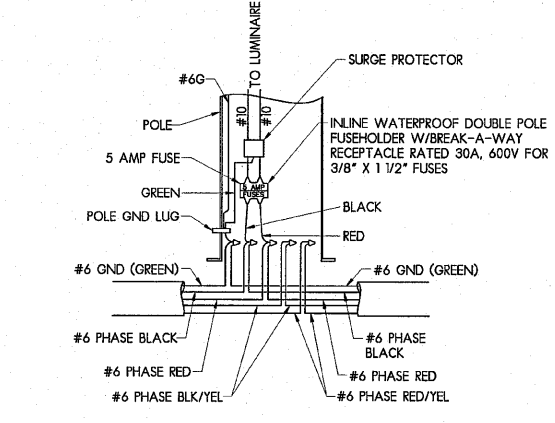


Panel 1NL1		Project Number: 20020	
Voltage: 120/240V, 1PH, 3W		Mains: 100A MCB	
C	BRKR	PH. A LOAD (VA)	PH. B LOAD (VA)
1	20	1180	1180
2	20	850	1090
3	20	1180	1090
4	20	1623	1180
5	20	1623	1623
6	20	2360	540
7	20	540	2360
8	20	885	180
9	20	180	885
10	20	180	180
11	20	180	180
12	20	180	180
13	20	180	180
14	20	180	180
15	20	180	180
16	20	180	180
17	20	180	180
18	20	180	180
19	20	180	180
20	20	180	180
21	20	180	180
22	20	180	180
23	20	180	180
24	20	180	180
25	20	180	180
26	20	180	180
27	20	180	180
28	20	180	180
29	20	180	180
30	20	180	180
31	20	180	180
32	20	180	180
33	20	180	180
34	20	180	180
35	20	180	180
36	20	180	180
37	20	180	180
38	20	180	180
39	20	180	180
40	20	180	180
41	20	180	180
42	20	180	180
Connected Load Phase A:		8.96 KVA	
Connected Load Phase B:		8.23 KVA	Max Connected Amps: 74.65

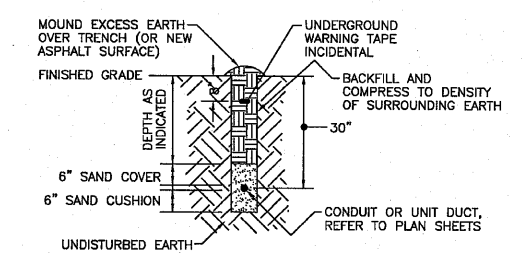
Panel 1NL2		Project Number: 20020	
Voltage: 120/240V, 1PH, 3W		Mains: 100A MCB	
C	BRKR	PH. A LOAD (VA)	PH. B LOAD (VA)
1	20	360	360
2	20	360	360
3	20	360	360
4	20	360	360
5	20	360	360
6	20	360	360
7	20	360	360
8	20	360	360
9	20	360	360
10	20	360	360
11	20	360	360
12	20	360	360
13	20	360	360
14	20	360	360
15	20	360	360
16	20	360	360
17	20	360	360
18	20	360	360
19	20	360	360
20	20	360	360
21	20	360	360
22	20	360	360
23	20	360	360
24	20	360	360
25	20	360	360
26	20	360	360
27	20	360	360
28	20	360	360
29	20	360	360
30	20	360	360
31	20	360	360
32	20	360	360
33	20	360	360
34	20	360	360
35	20	360	360
36	20	360	360
37	20	360	360
38	20	360	360
39	20	360	360
40	20	360	360
41	20	360	360
42	20	360	360
Connected Load Phase A:		1.44 KVA	
Connected Load Phase B:		1.08 KVA	Max Connected Amps: 12



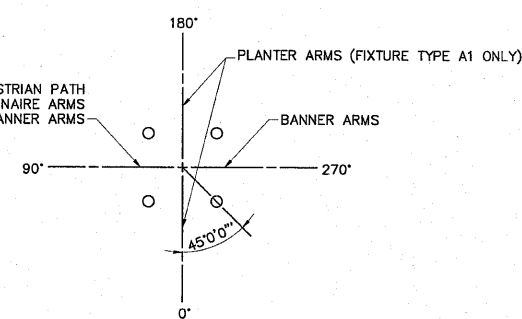
**1 HAND HOLE DETAIL**  
SCALE: NONE



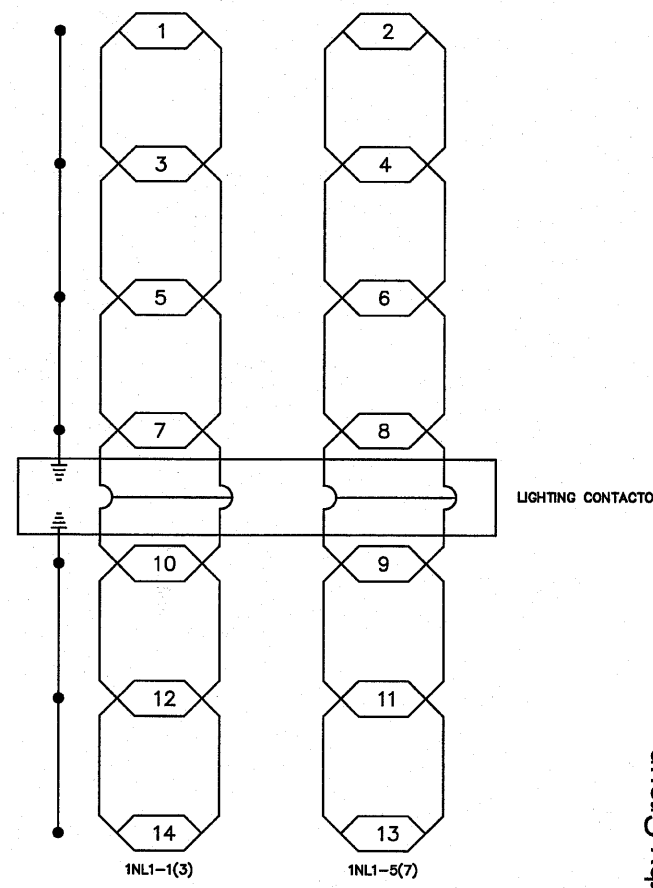
**4 POLE BASE CONNECTION DETAIL**  
SCALE: NONE



**2 DIRECT BURIAL CONDUIT**  
SCALE: NONE



**3 POLE ORIENTATION DETAIL**  
SCALE: NONE



**5 POLE FIXTURE CIRCUIT DIAGRAM**  
SCALE: NONE

LIGHT FIXTURE SCHEDULE						
TAG	DESCRIPTION	VOLTAGE	NUMBER OF LAMPS	LAMP TYPE	MANUFACTURER	CATALOG NUMBER
A	SITE POLE LIGHT	240V	1	250W PSMH	ARCHITECTURAL AREA LIGHTING	UCL-LUM-ANG-H3-250PSMH-DBZ OR APPROVED EQUAL
A1	SITE POLE LIGHT	240V	1	250W PSMH	ARCHITECTURAL AREA LIGHTING	UCL-LUM-ANG-H3-250PSMH-DBZ OR APPROVED EQUAL
B	IN GRADE ACCENT LIGHT	240V	1	70W PSMH	KIM LIGHTING	LTV32-VW-70PMH240 OR APPROVED EQUAL
C	STEPLIGHT	120V	-	15W LED	BEGA	2040LED-SLV OR APPROVED EQUAL
D	LED ACCENT LIGHT	120V	-	4W LED	HESS	LEDIA-LF-OD-4-12-WH-N OR APPROVED EQUAL
E	SPOTLIGHT	240V	1	150W PSMH	HYREL	7100-150CMT6-MVOLT-SP-KM-ISS-GS-STG OR APPROVED EQUAL
F	FLOODLIGHT	240V	1	150W PSMH	HYREL	7100-150CMT6-MVOLT-NHSP-KM-ISS-DBOS OR APPROVED EQUAL
G	BOLLARD	240V	1	100W MH	HYREL	3120 36 100M 240V FT GEB LPI DBB OR APPROVED EQUAL
H	LIGHTED HANDRAIL	120V	-	LED	INTENSE	IRV2-***-36-HO-40-60S-MOD OR APPROVED EQUAL

PROFESSIONAL ENGINEER  
ILLINOIS  
042-051650  
BRENSON  
11-30-11  
g.l.-10

Larson & Darby Group  
Architects Engineers Planners  
Rockford, Illinois

SHEET REVIEW	
AGENCY	DATE

REVISIONS	
NO.	DATE

NO.	ITEM	DATE

SCALE:	NA
DRAWN BY:	MS
CHECKED BY:	JWH
DATE:	4/16/2010

**McClure**  
Engineering Associates, Inc.  
7282 Argus Drive  
Rockford, Illinois 61107-5837  
(815) 998-2332 FAX (815) 998-2496  
Design Firm License: Illinois 184-000816  
Copyright 2010 By McClure Engineering Associates, Inc.

**ELECTRICAL DETAILS**  
RIVERWALK MUSEUM CAMPUS  
711 NORTH MAIN STREET  
ROCKFORD, IL  
FILE: P:\20020 MCCLURE - ROCKFORD RIVERWALK\DWG\ELEC\20020 E5.2.DWG  
JOB: 04-28-10-008