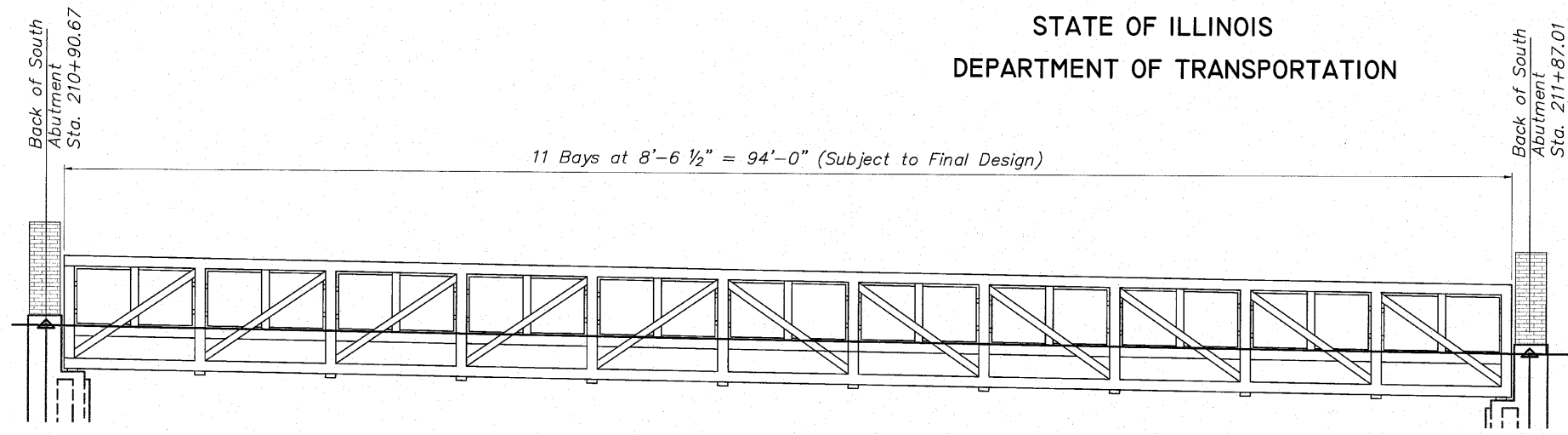
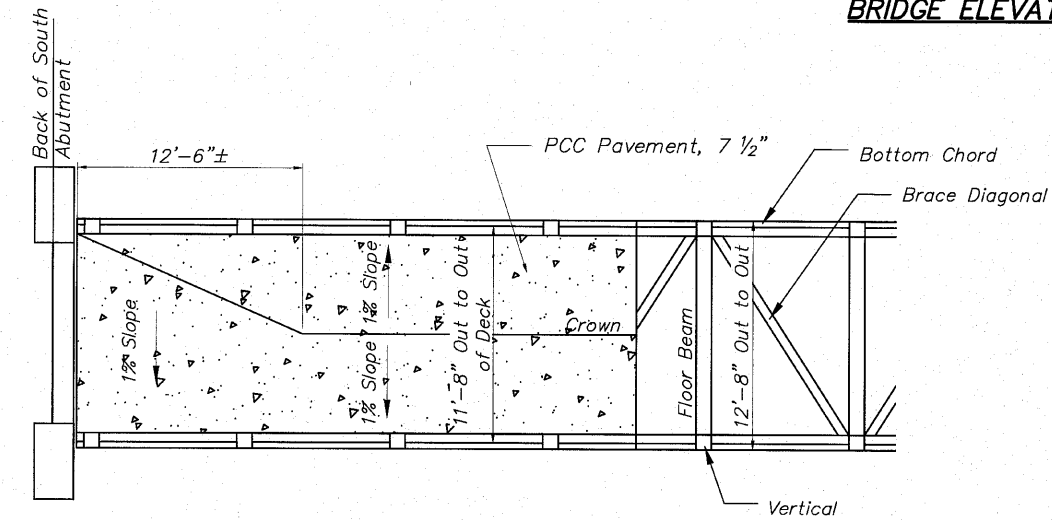


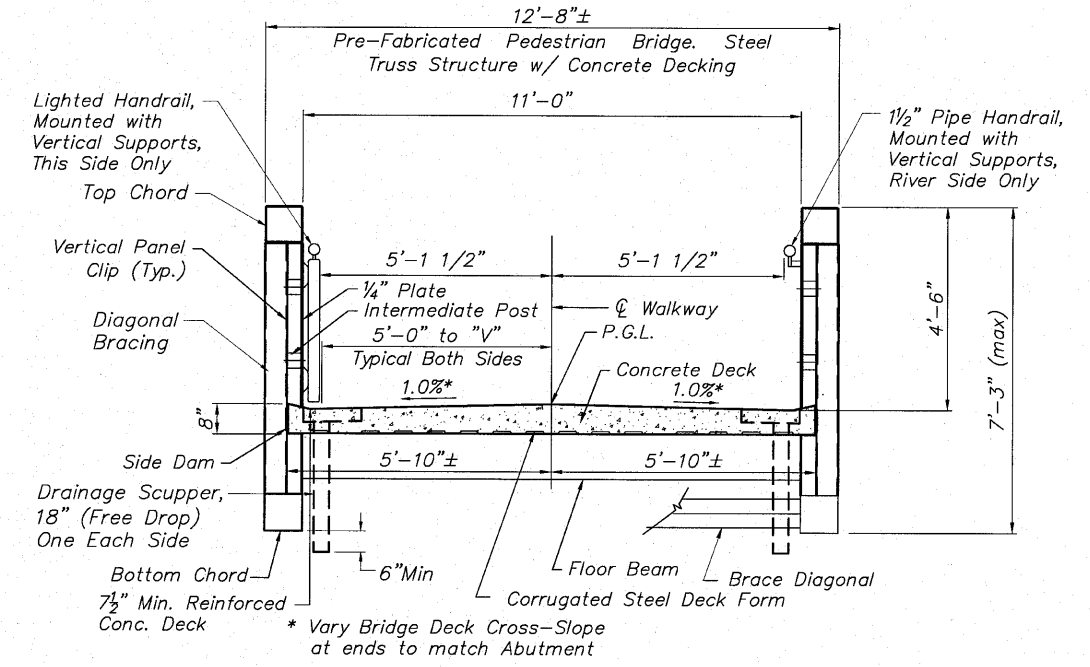
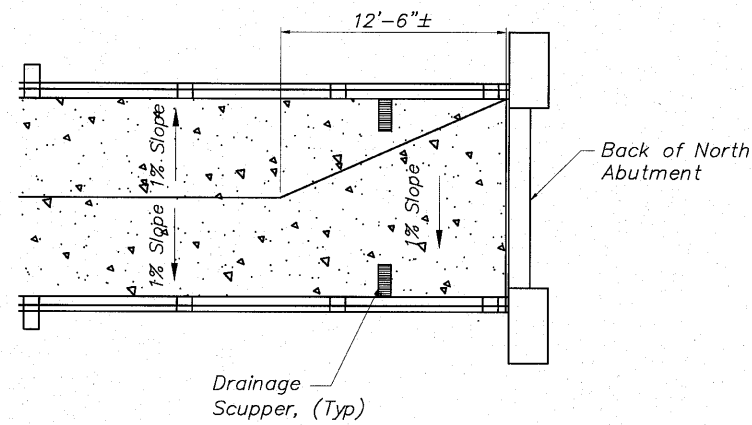
STATE OF ILLINOIS  
DEPARTMENT OF TRANSPORTATION



**BRIDGE ELEVATION**

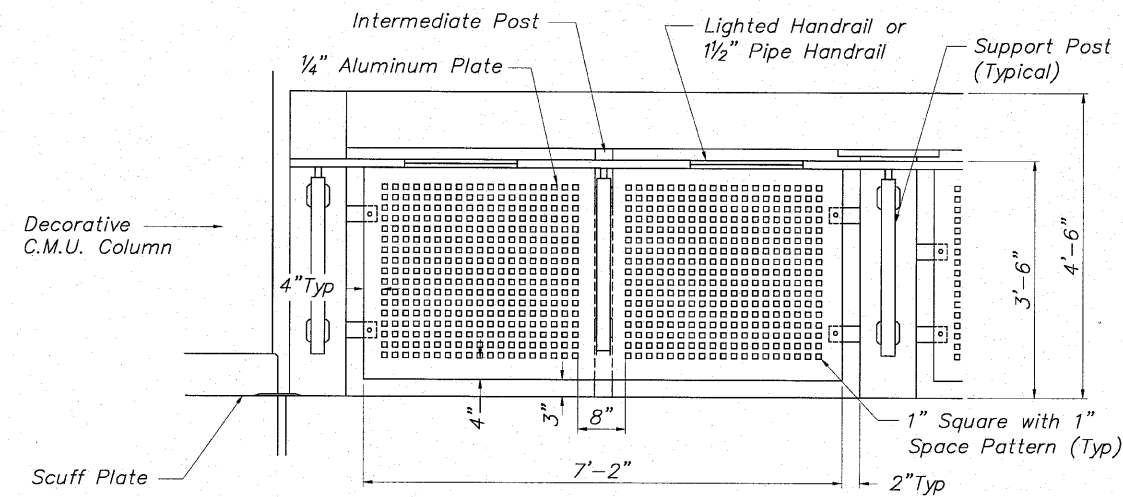


**BRIDGE PLAN**

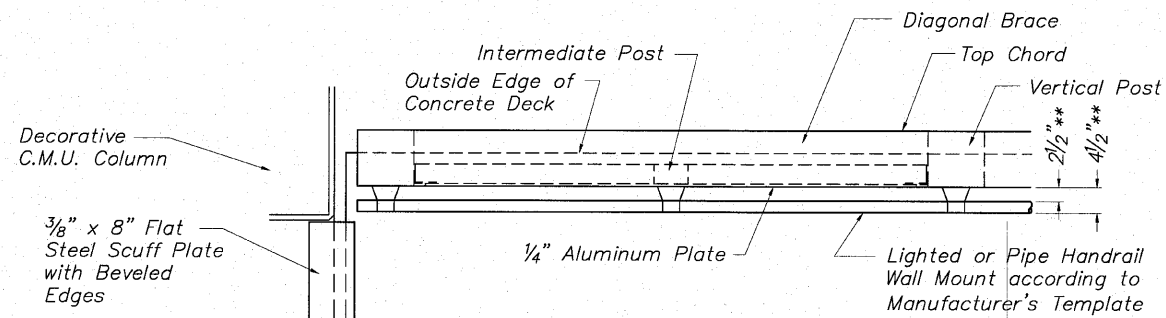


**TYPICAL DECK SECTION**

BORING NUMBER	STATION	OFFSET	GROUND ELEV.	EST. COMP. ROCK ELEV.
B-1	205+62	20.1' LT	728	N/A
B-2	206+69	44.3' LT	728	N/A
B-3	207+60	36.1' LT	728	701.5
B-4	208+20	43.1' RT	695	693.5
B-5	209+64	59.9' RT	693	691.0
B-6	210+83	40.15' RT	696	693.0
B-7	212+10	37.74' RT	696	694.5
B-8	213+71	34.17' RT	698	691.5
B-9	211+98	31.8' LT	716	706.0
B-10	211+67	77.9' LT	720	710.0
B-11	212+57	61.6' LT	721	705.0
B-12	211+12	200.5' LT	736	714.0
B-13	212+13	155.2' LT	730	709.0
B-14	209+57	39.5' LT	730	705.0
B-15	208+63	54.3' LT	730	700.0



**TYPICAL SIDE PANEL ELEVATION**



**TYPICAL SIDE PANEL PLAN**

**SUPERSTRUCTURE DETAILS  
PEDESTRIAN TRUSS BRIDGE  
PEDESTRIAN RIVERWALK  
ALONG THE ROCK RIVER  
WINNEBAGO COUNTY  
SECTION NO. 06-00543-00-BT  
STATION 210+90.67 TO  
STATION 211+87.01  
STRUCTURE NO. 101-6351**

DESIGNED	CTB
CHECKED	AAG
DRAWN	JAW
PEER REVIEWED	

**McClure**  
Engineering Associates, Inc.  
7282 Argus Drive  
Rockford, Illinois 61107-5637  
(815) 398-2332 Fax (815) 398-2426  
Design Firm License: Illinois#184-000816

SHEET NO. 3  
8 SHEETS

F.A. RTE.	SECTION	COUNTY	TOTAL SHEETS	SHEET NO.
	06-00543-00-BT	WINNEBAGO	148	69
CONTRACT NO.			85521	
FED. ROAD DIST. NO.	ILLINOIS	FED. AID PROJECT		