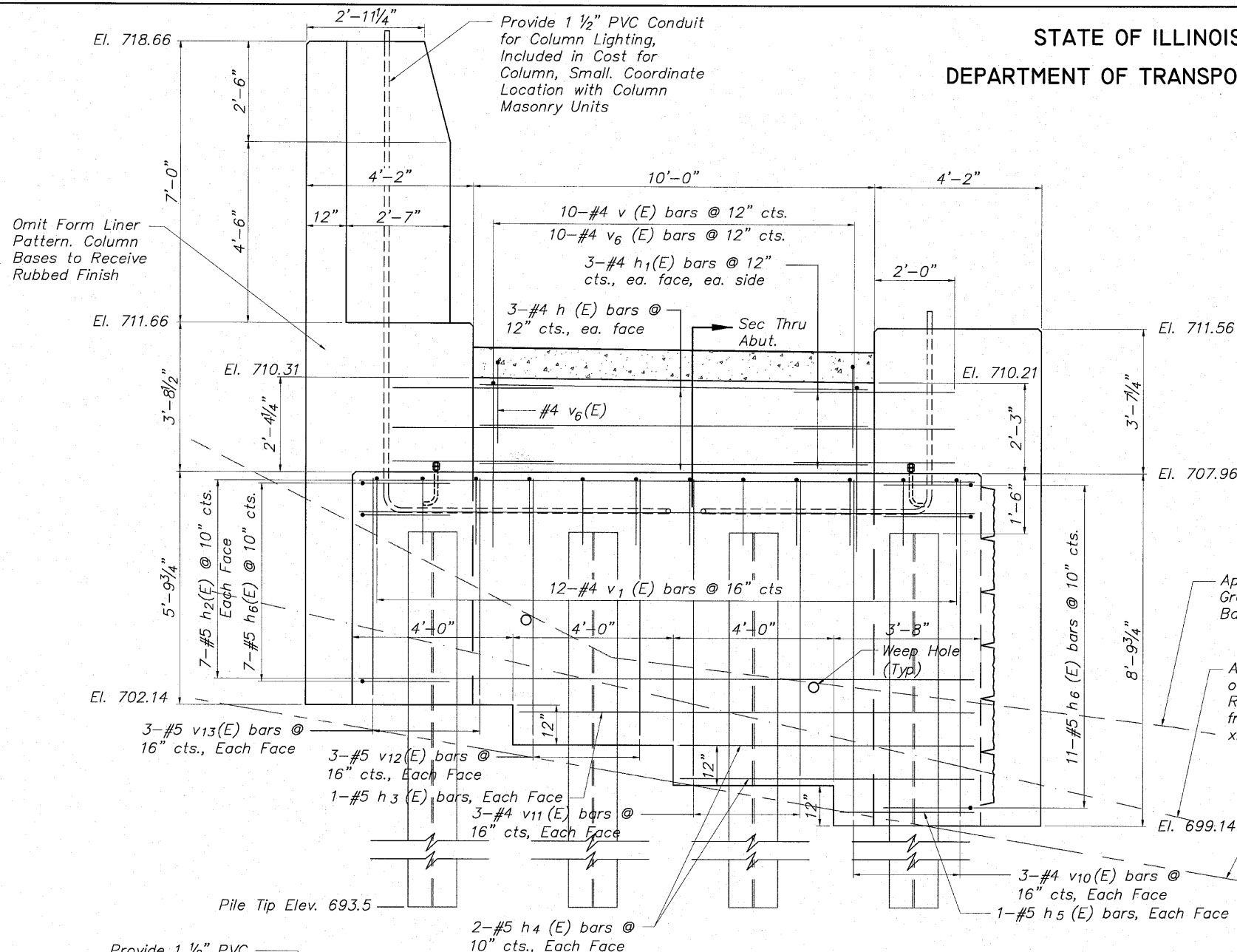
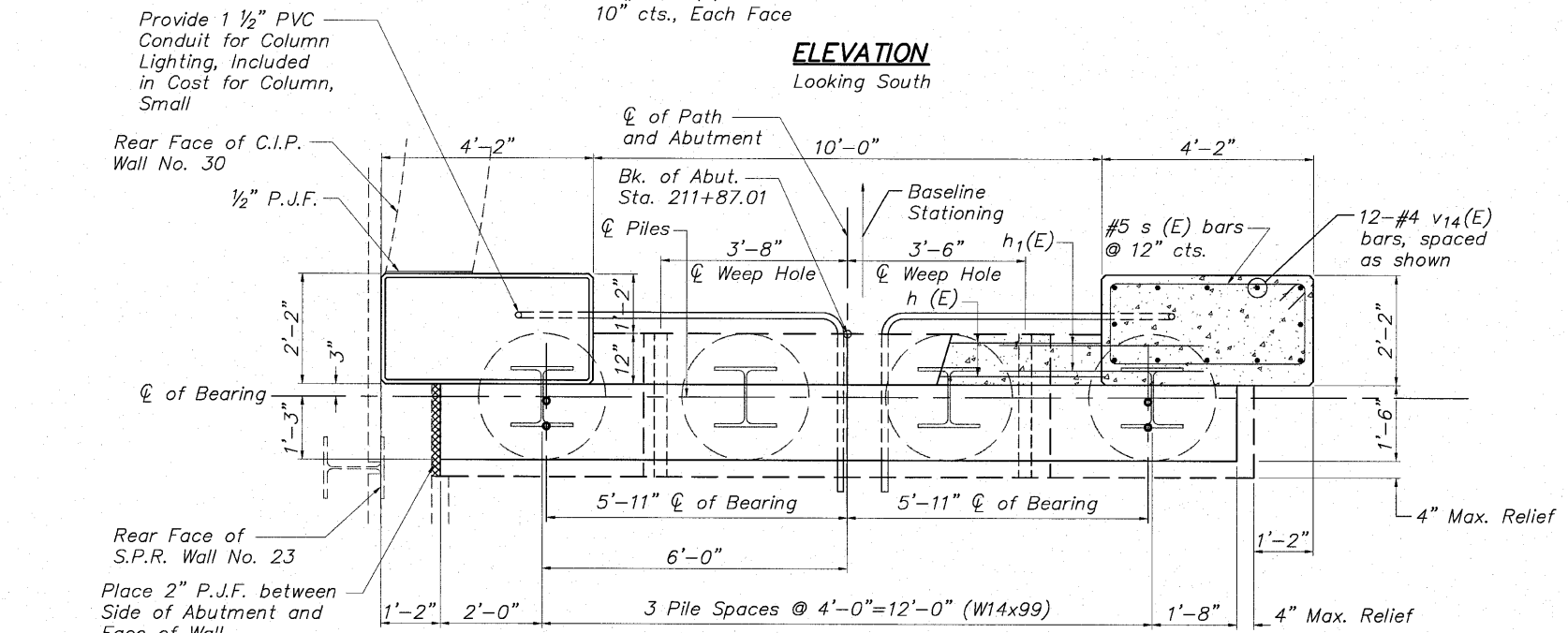


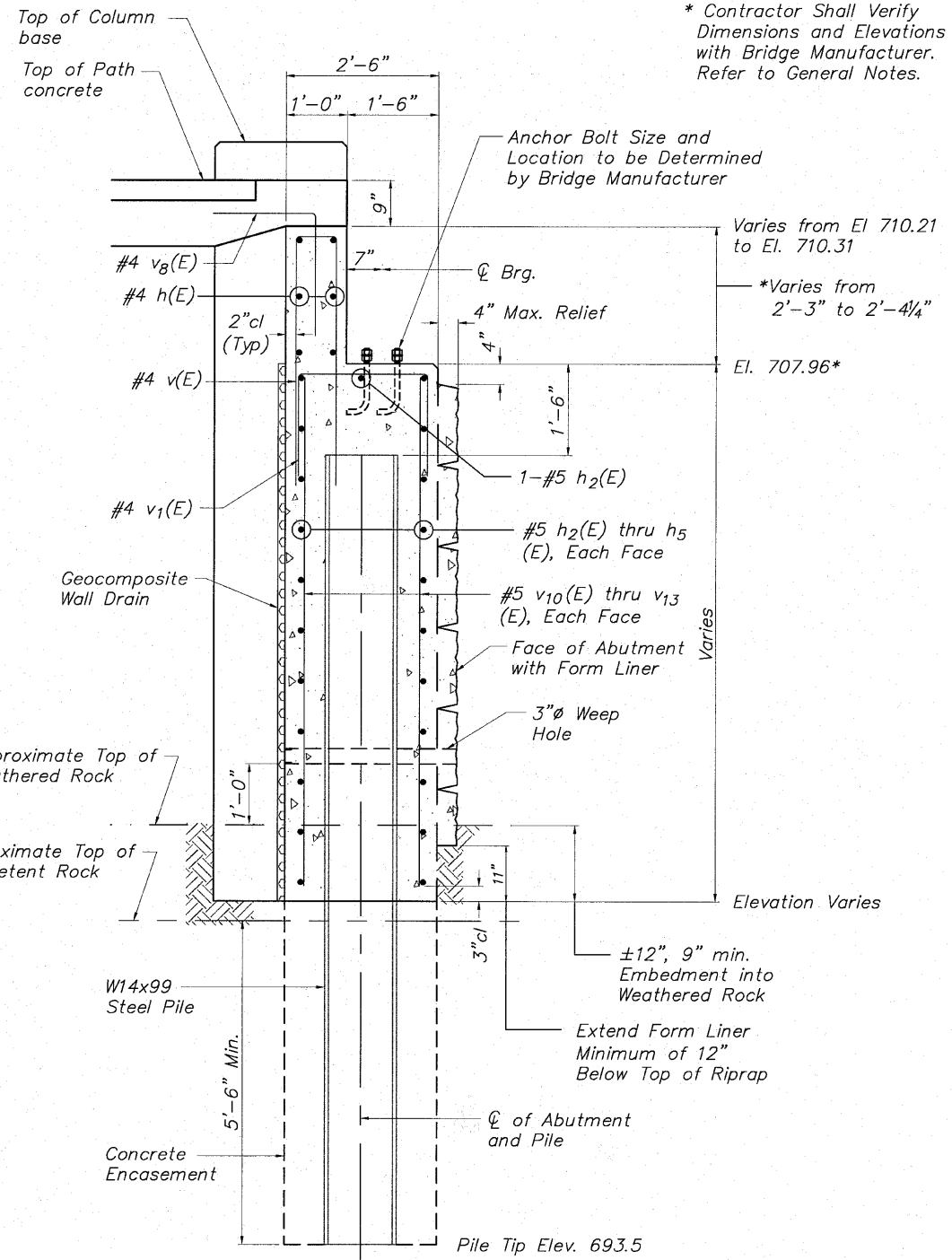
STATE OF ILLINOIS  
DEPARTMENT OF TRANSPORTATION



**ELEVATION**  
Looking South



**PLAN**



**SEC THRU NORTH ABUT**

\* Contractor Shall Verify Dimensions and Elevations with Bridge Manufacturer. Refer to General Notes.

**Note:**  
Abutment Foundations are Designed for a Net Allowable Bearing Pressure of 25 tsf on Rock. Quality of Rock shall be determined and field verified by the Geotechnical Engineer during Excavation

**NORTH ABUTMENT DETAILS  
PEDESTRIAN TRUSS BRIDGE  
PEDESTRIAN RIVERWALK  
ALONG THE ROCK RIVER  
WINNEBAGO COUNTY  
SECTION NO. 06-00543-00-BT  
STATION 210+90.67 TO  
STATION 211+87.01  
STRUCTURE NO. 101-6351**

DESIGNED	
CHECKED	
DRAWN	JAW
PEER REVIEWED	

**McClure**  
Engineering Associates, Inc.  
2282 Argus Drive  
Rockford, Illinois 61107-5837  
(815) 398-2332 Fax (815) 398-2496  
Design Firm License: Illinois #184-000816

SHEET NO. 6  
8 SHEETS

F.A. RTE.	SECTION	COUNTY	TOTAL SHEETS	SHEET NO.
	06-00543-00-BT	WINNEBAGO	148	72
CONTRACT NO.		85521		
FED. ROAD DIST. NO.	ILLINOIS	FED. AID PROJECT		