

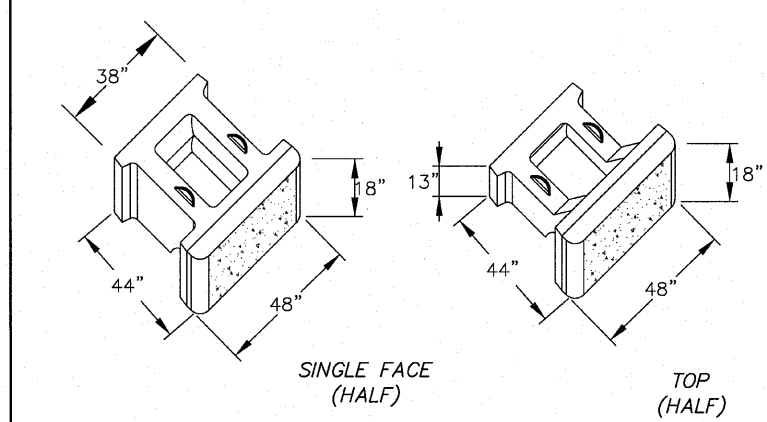
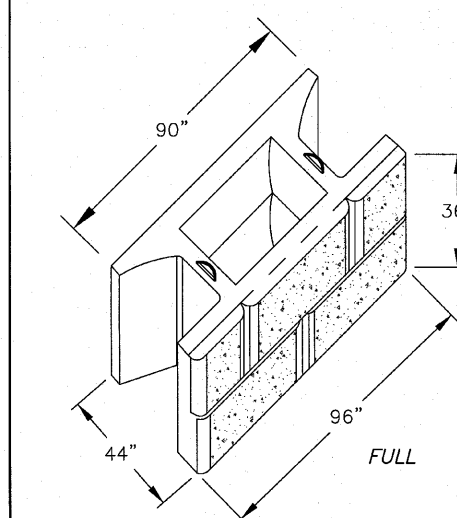
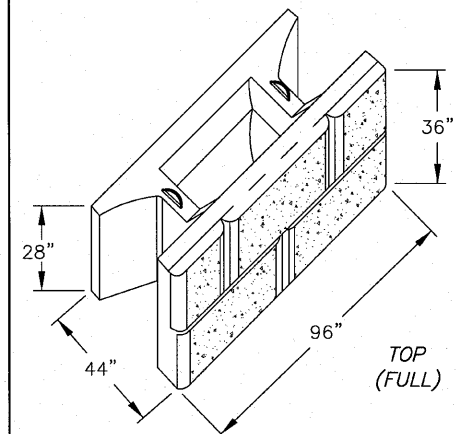
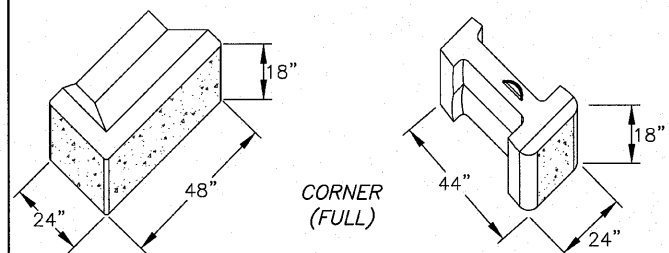
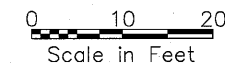
STATE OF ILLINOIS  
DEPARTMENT OF TRANSPORTATION

CENTERLINE CURVE DATA

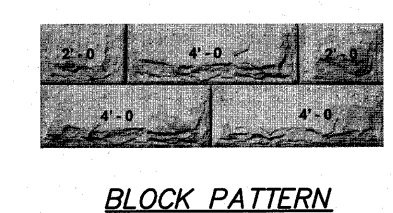
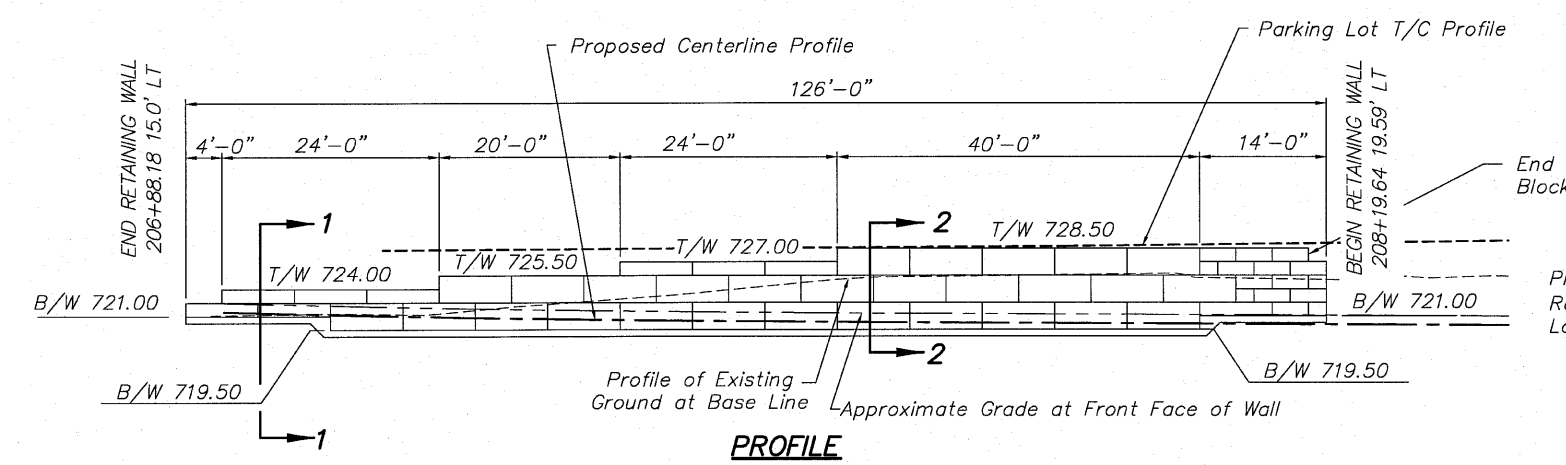
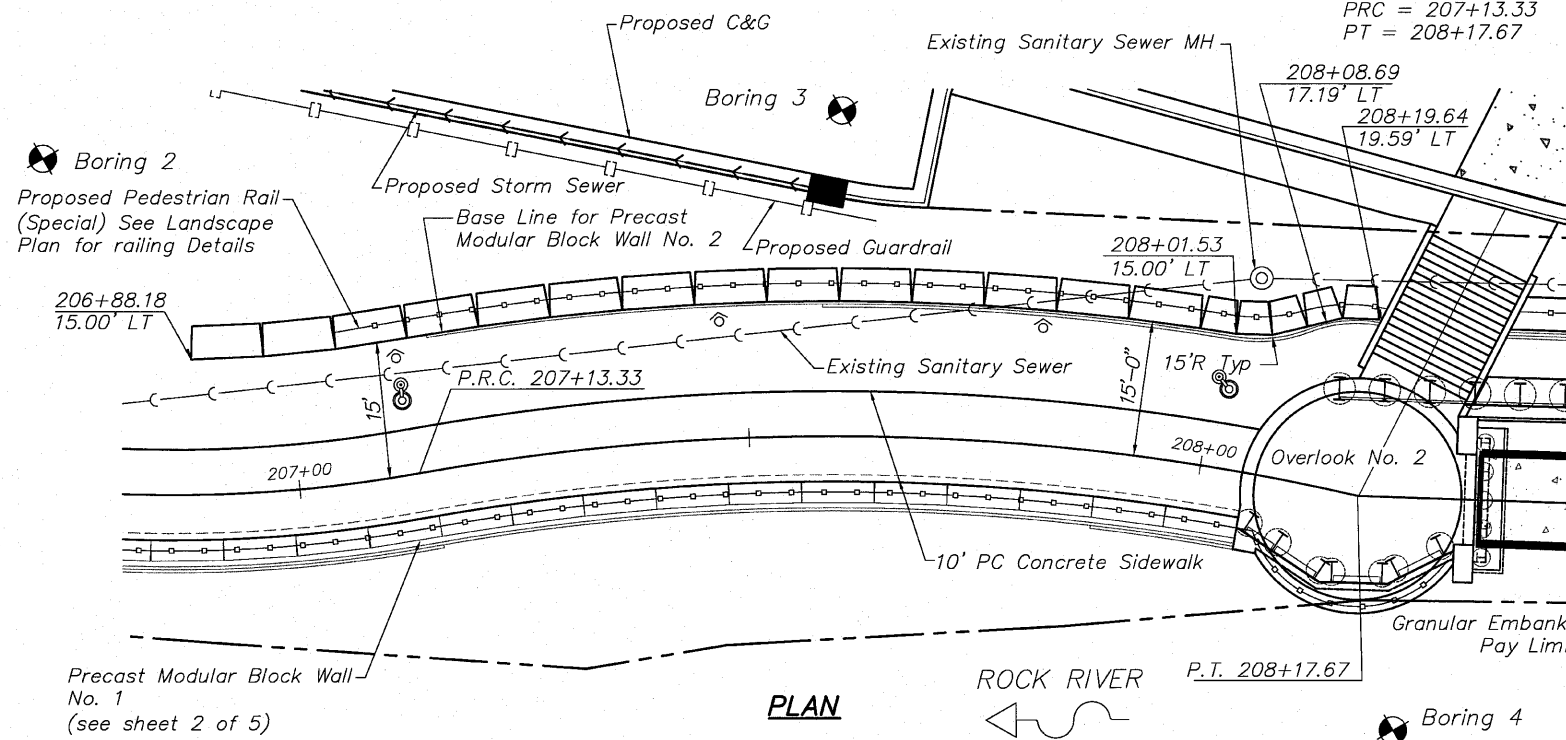
$\Delta = 22^{\circ}59'01''$   
 $D = 22^{\circ}01'37''$   
 RADIUS = 260.12'  
 ARC LENGTH = 104.34'  
 TANGENT = 52.88'  
 EXTERNAL = 5.32'  
 PRC = 207+13.33  
 PT = 208+17.67

SCALES:

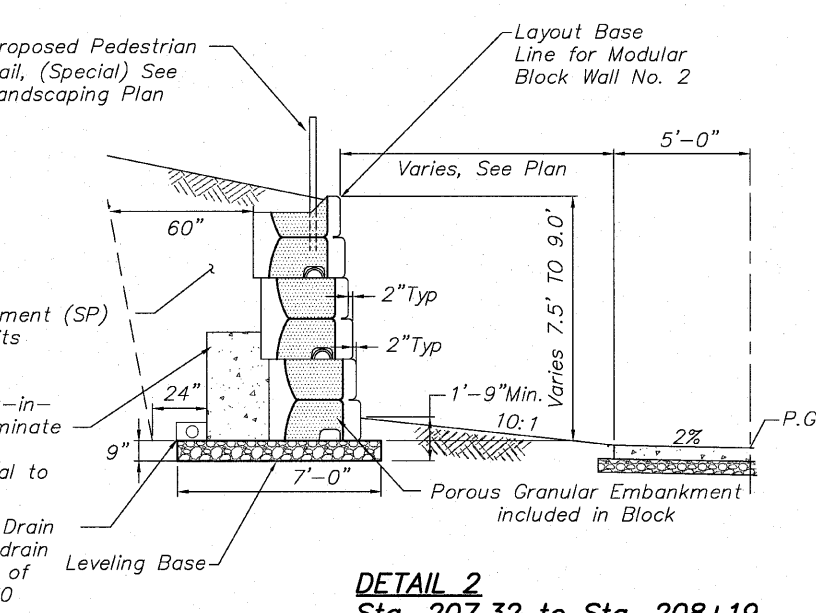
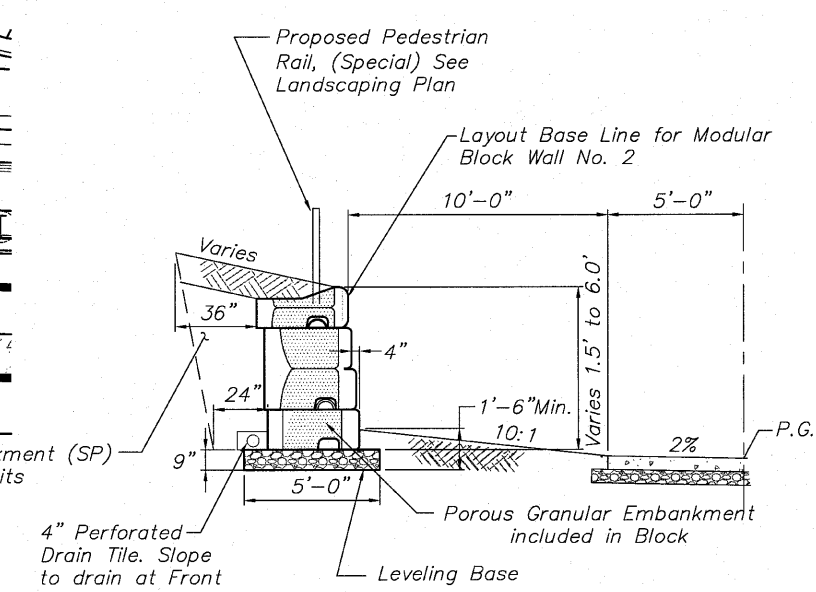
PLAN: 1" = 10'  
 PROFILE: 1" = 10' HORIZONTAL  
 1" = 10' VERTICAL



**BLOCK DIMENSIONS**



SEE GENERAL NOTES, SHEET 1 OF 5



**PRECAST MODULAR BLOCK WALL NO. 2**

DESIGNED	CTB
CHECKED	AAG
DRAWN	JAW
CHECKED	JWH

**McClure**  
 Engineering Associates, Inc.  
 7282 Argus Drive  
 Rockford, Illinois 61107-5837  
 (815) 398-2332 Fax (815) 398-2496  
 Design Firm License: Illinois #184-000816  
 Copyright 2010 By McClure Engineering Associates, Inc.

SHEET NO. 3  
 5 SHEETS

F.A. RTE.	SECTION	COUNTY	TOTAL SHEETS	SHEET NO.
	06-00543-00-BT	WINNEBAGO	148	77
FED. ROAD DIST. NO.		ILLINOIS	CONTRACT NO. 85521	
		FED. AID PROJECT		