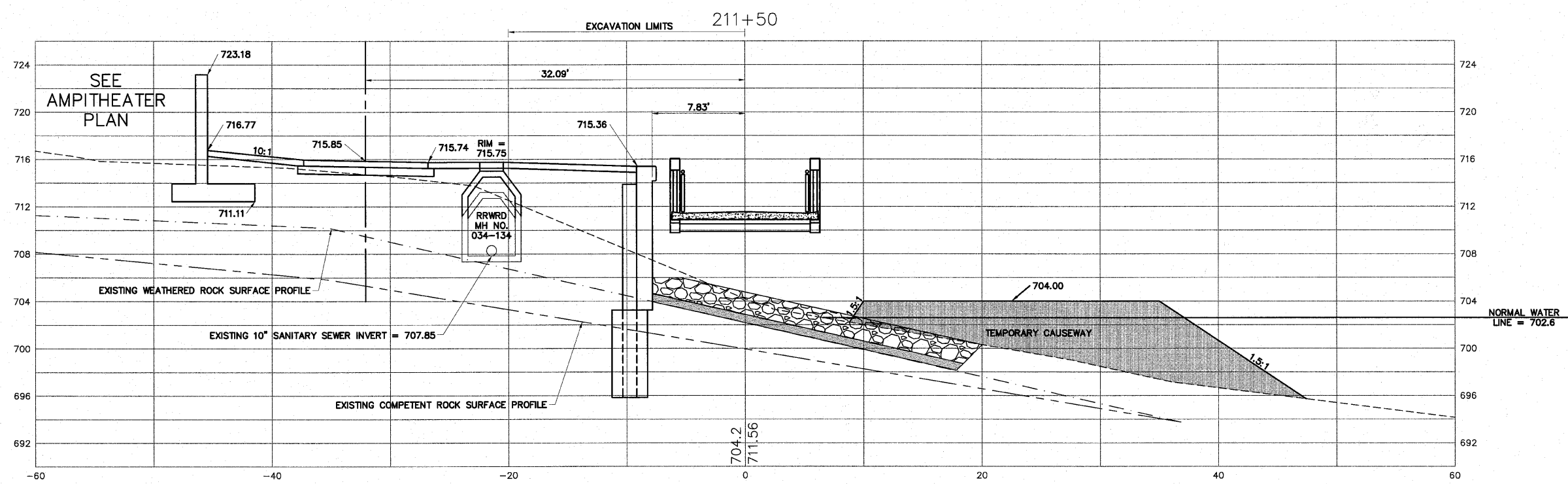
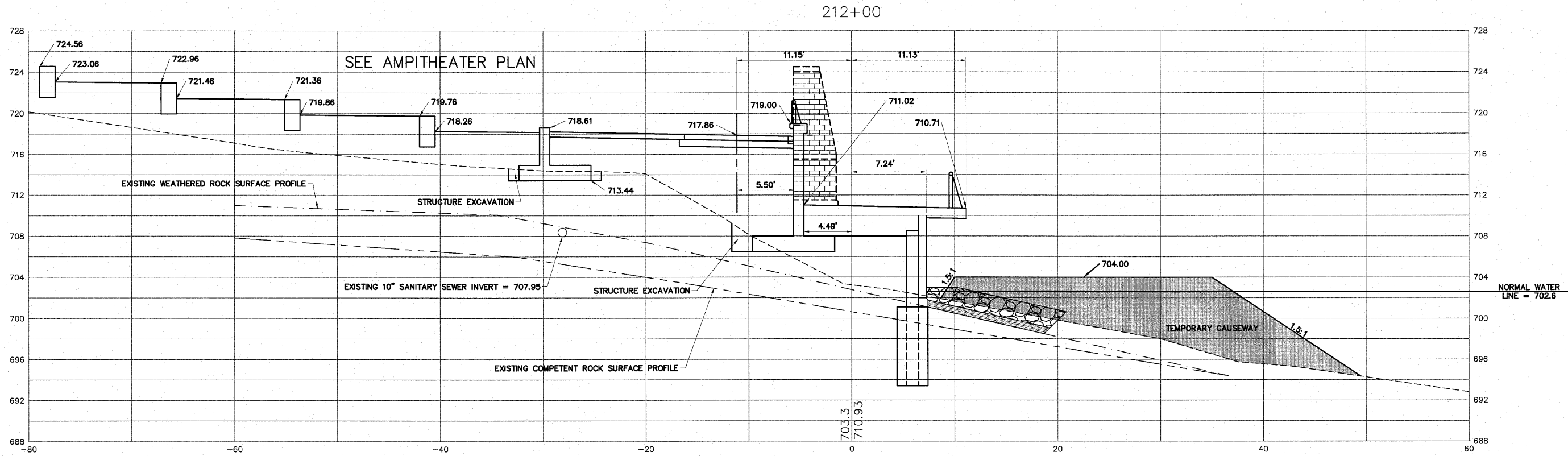


FROM STATION 211+50 TO 213+11.27 THE EARTH EXCAVATION QUANTITY STOPS AT 20 FEET LEFT OF CENTERLINE. THE EXCAVATION GREATER THAN 20 FEET LEFT IS INCLUDED IN THE 300 SERIES STATIONING QUANTITY.



H:\08-008 RIVERWALK MUSEUM\DESIGN\DRAWINGS\08-008 XSEC FINAL.DWG, CROSS SECTIONS - 211+50 TO 212+00, 9/7/2010 8:35:46 AM, H. MONY

| SHEET REVIEW |      |
|--------------|------|
| AGENCY       | DATE |
|              |      |

| REVISIONS |      |      |
|-----------|------|------|
| NO.       | ITEM | DATE |
|           |      |      |

|             |                       |
|-------------|-----------------------|
| SCALE:      | Hor. 1"=5' Ver. 1"=5' |
| DRAWN BY:   | MS                    |
| CHECKED BY: | JWH                   |
| DATE:       | AUGUST 13, 2010       |

7282 Argus Drive  
Rockford, Illinois 61107-5837  
(815) 398-2332 FAX (815) 398-2496  
Design Firm License: Illinois 184-000816  
Copyright 2010 By McClure Engineering Associates, Inc.

**CROSS SECTIONS - 211+50 TO 212+00**  
RIVERWALK MUSEUM CAMPUS  
711 NORTH MAIN STREET  
ROCKFORD, IL

FILE: H:\08-008 RIVERWALK MUSEUM\DESIGN\DRAWINGS\08-008 XSEC FINAL.DWG  
JOB: 04-28-10-008

SHEET NO.  
**123**  
OF  
**148**