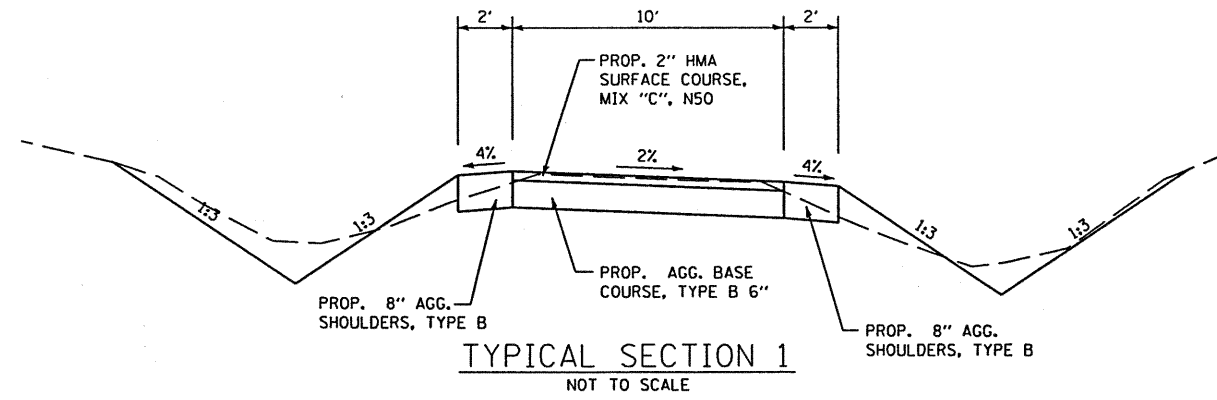


| F.A. RTE.                                     | SECTION        | COUNTY            | TOTAL SHEETS | SHEET NO. |
|---|----------------|-------------------|--------------|-----------|
|   | 00-P4002-03-BT | PEORIA            | 53           | 9         |
| STA. 100+36.27                                |                | TO STA. 179+51.94 |              |           |
| FED. ROAD DIST. NO. ILLINOIS FED. AID PROJECT |                |                   |              |           |



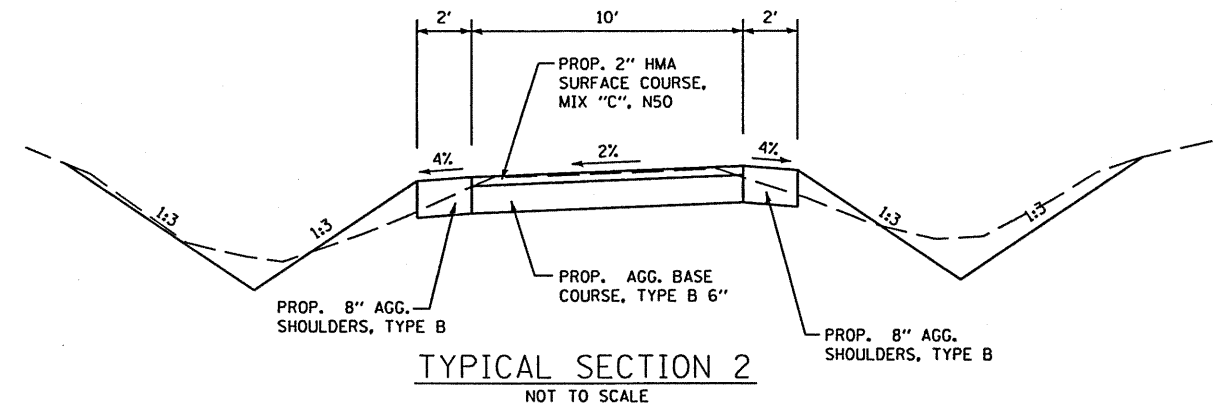
STA. 100+48.12 TO STA. 110+00.00  
STA. 116+00.00 TO STA. 132+30.06  
STA. 136+75.62 TO STA. 145+58.35  
STA. 148+53.64 TO STA. 149+88.46

NOTE: THE FOLLOWING LOCATIONS ARE CROSS SLOPE TRANSITIONS FROM TYPICAL SECTION 1 TO TYPICAL SECTION 2:  
STA. 145+58.35 TO STA. 147+58.35

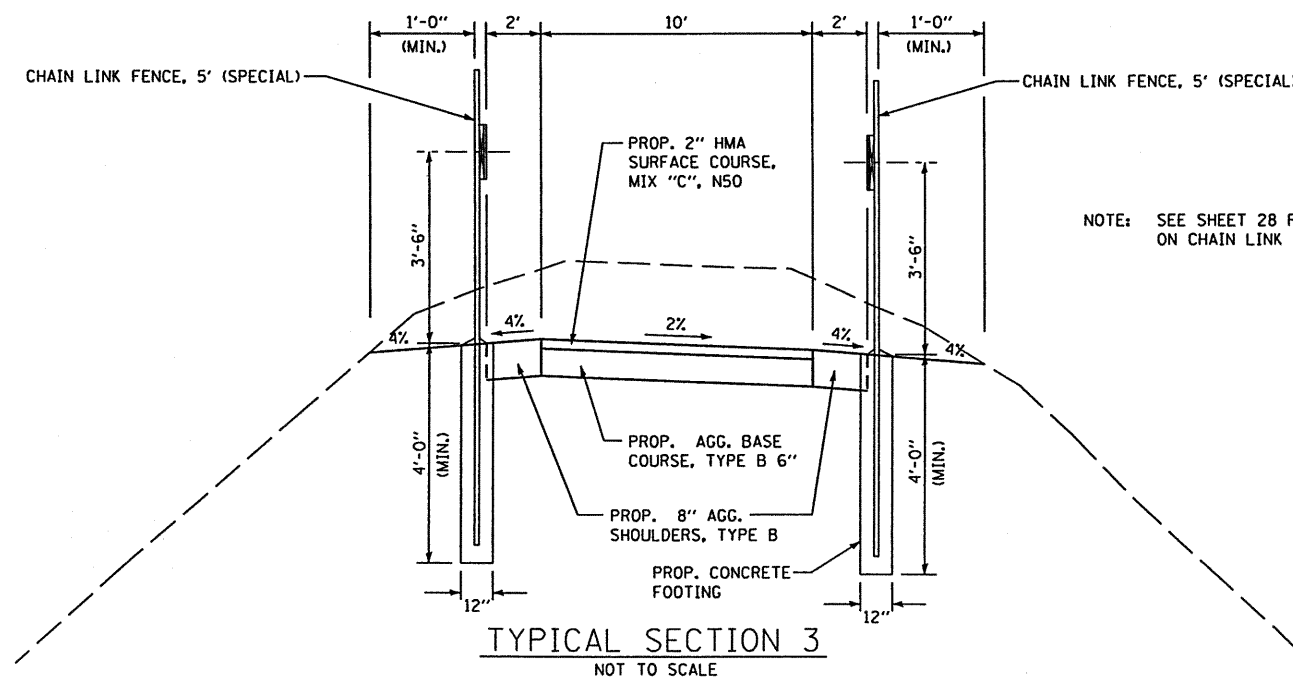
NOTE: THE FOLLOWING LOCATIONS ARE CROSS SLOPE TRANSITIONS FROM TYPICAL SECTION 2 TO TYPICAL SECTION 1:  
STA. 148+37.65 TO STA. 148+53.64

NOTE: THE FOLLOWING LOCATIONS ARE CROSS SLOPE TRANSITIONS FROM TYPICAL SECTION 1 TO EXISTING CONDITIONS AT INTERSECTIONS:  
STA. 132+30.06 TO STA. 134+30.06 (-2% TO SLOPE AT THE BACK OF SIDEWALK)  
STA. 134+75.62 TO STA. 136+75.62 (SLOPE AT THE BACK OF SIDEWALK TO -2%)  
STA. 150+06.83 TO STA. 151+06.83 (-2% TO SLOPE AT THE BACK OF SIDEWALK)  
STA. 152+20.62 TO STA. 152+70.62 (SLOPE AT THE BACK OF RAMP TO +2%)

NOTE: THE FOLLOWING LOCATIONS HAVE BEEN OMITTED:  
STA. 100+36.27 TO STA. 100+48.12 (FULL DEPTH BITUMINOUS PATCH)  
STA. 134+30.06 TO STA. 134+75.62 (TETON DRIVE CROSSING)  
STA. 151+06.83 TO STA. 152+20.62 (GILES LANE CROSSING)



STA. 147+58.35 TO STA. 148+37.65  
STA. 152+91.43 TO STA. 179+51.94



STA. 110+00.00 TO STA. 116+00.00

NOTE: SEE SHEET 28 FOR MORE DETAIL ON CHAIN LINK FENCE, 5' (SPECIAL)



| REVISIONS |            | ILLINOIS DEPARTMENT OF TRANSPORTATION   |
|-----------|------------|---|
| NAME      | DATE       |   |
|           |            | TYPICAL SECTIONS<br>ROCK ISLAND/PIMITEOUI BIKE TRAIL<br>SECTION 00-P4002-03-BT<br>PEORIA COUNTY |
|           |            |   |
|           |            |   |
|           |            |   |
|           |            |   |
|           |            |   |
|           |            |   |
|           |            |   |
|           |            |   |
|           |            |   |
| SCALE:    | VERT. DATE | DRAWN BY  |
|           | HORIZ.     | CHECKED BY  |