

F.A. RYE	SECTION	COUNTY	TOTAL SHEETS	SHEET NO.
	00-P4002-03-BT	PEORIA	53	27
STA. 100+36.27		TO STA. 179+51.94		
FED. ROAD DIST. NO. ILLINOIS FED. AID PROJECT				

GENERAL NOTES

THE LIMITS AND QUANTITIES OF REMOVAL AND REPLACEMENT SHOWN MAY BE MODIFIED BY THE FIELD ENGINEERS FOR VARIABLE SUBSURFACE CONDITIONS ENCOUNTERED IN THE FIELD.

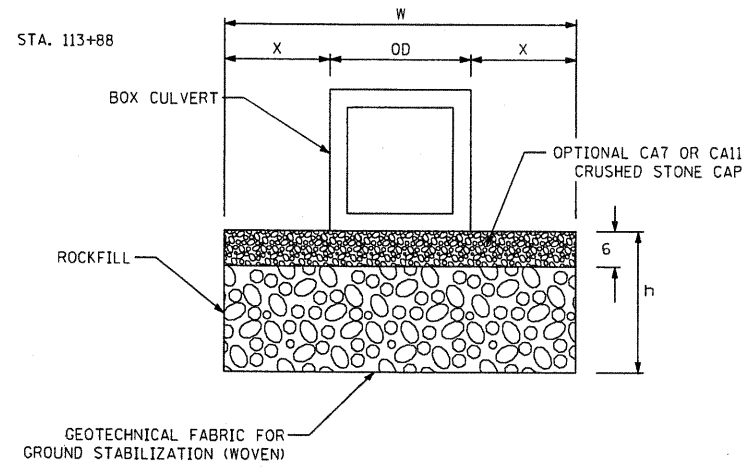
LAYOUT OF SLOPE PROTECTION SYSTEM MAY BE VARIED IN THE FIELD TO SUIT GROUND CONDITIONS AS DIRECTED BY THE ENGINEER.

ALL CONSTRUCTION JOINTS SHALL BE BONDED.

THE CONNECTION BETWEEN THE EXISTING STEEL PIPES AND PROPOSED PIPE SHALL BE MADE TO ENSURE A WATERTIGHT SEAL.

STA. 113+72

STA. 113+88



DEFINITIONS:
 OD = OUTSIDE DIAMETER OR OUTSIDE WIDTH OF BOX CULVERT
 h = DEPTH OF UNDERCUT
 x = h OR MIN. WIDTH SPECIFIED IN SEC. 542.04(a) WHICHEVER IS GREATER FOR PIPE CULVERTS.
 x = h OR MINIMUM 2 FEET, WHICHEVER IS GREATER FOR BOX CULVERTS.
 W = WIDTH OF UNDERCUT = 2x + OD

UNDERCUT BACKFILL DETAIL

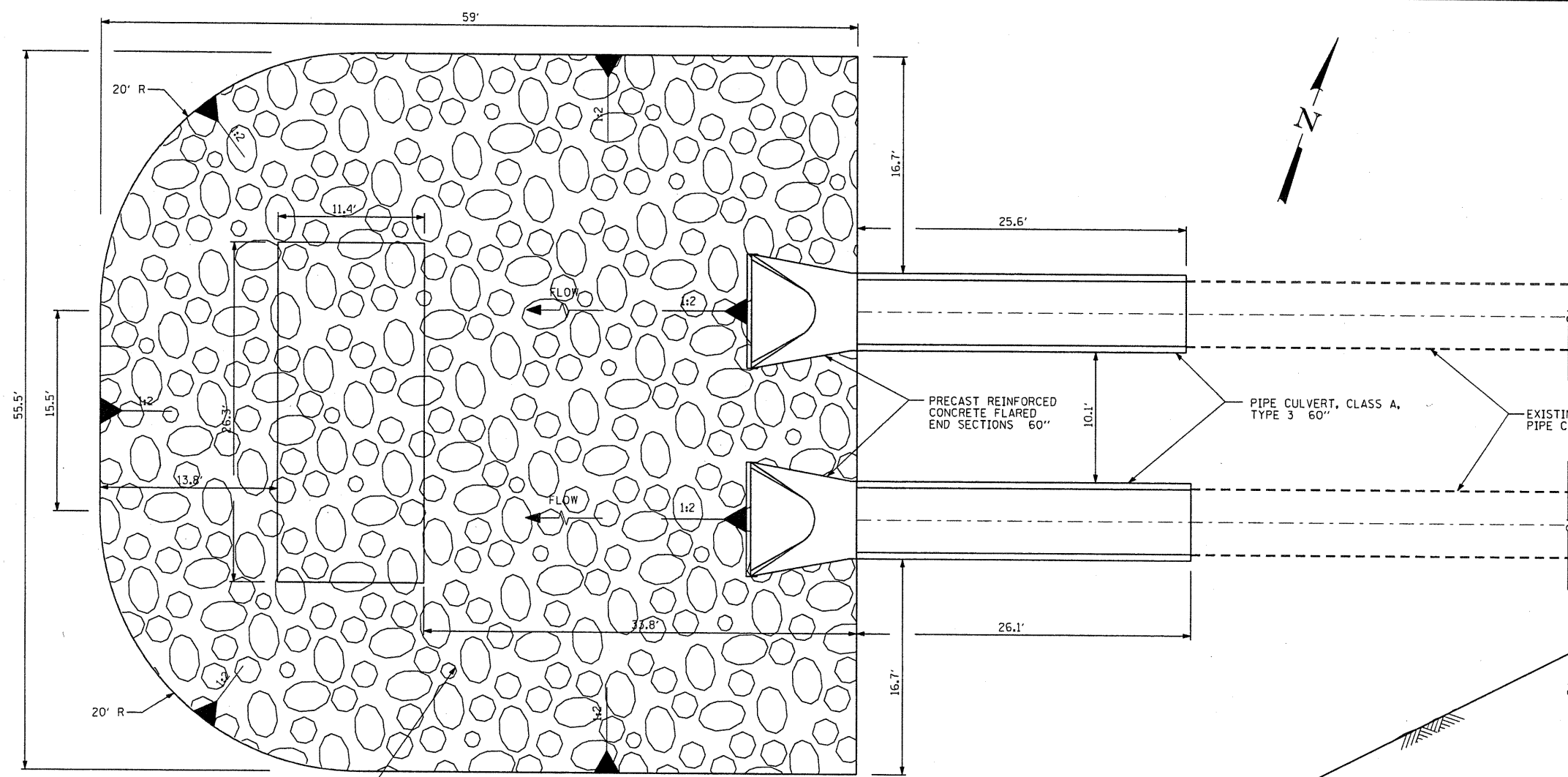
CULVERT LOCATION	UNDERCUT			
	DEPTH (FT)	x (FT)	OD (FT)	W (FT)
STA. 113+80.00, RT.	2.0	5.0 (min.)	6.0	38.0

REVISIONS	
NAME	DATE

ILLINOIS DEPARTMENT OF TRANSPORTATION
 PIPE CULVERT AND STILLING BASIN DETAILS
 ROCK ISLAND/PIMITEQUI BIKE TRAIL
 SECTION 00-P4002-03-BT
 PEORIA COUNTY

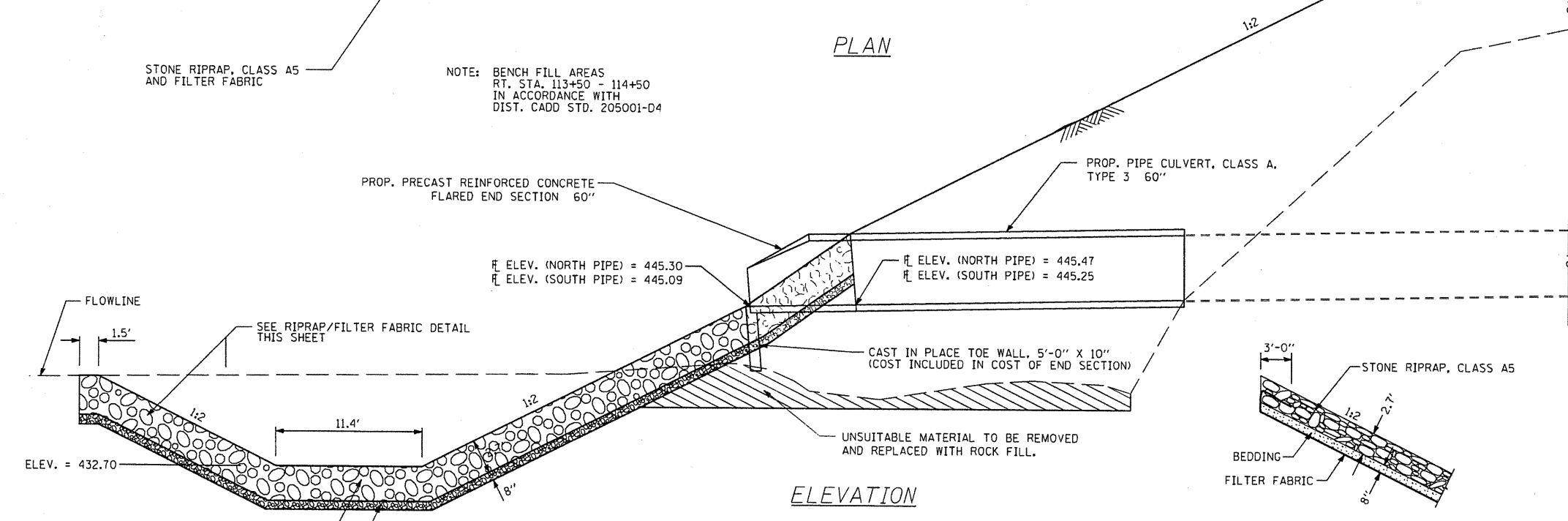
SCALE: VERT. _____
 HORIZ. _____
 DATE _____ DRAWN BY _____
 CHECKED BY _____

MAURER & STUTZ, INC.
 ENGINEERS SURVEYORS

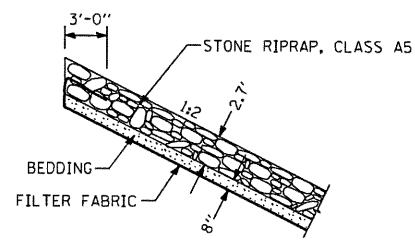


PLAN

NOTE: BENCH FILL AREAS RT. STA. 113+50 - 114+50 IN ACCORDANCE WITH DIST. CADD STD. 205001-04



ELEVATION



RIPRAP/FILTER FABRIC DETAIL

\$FILES
 \$TIMES
 \$DATES