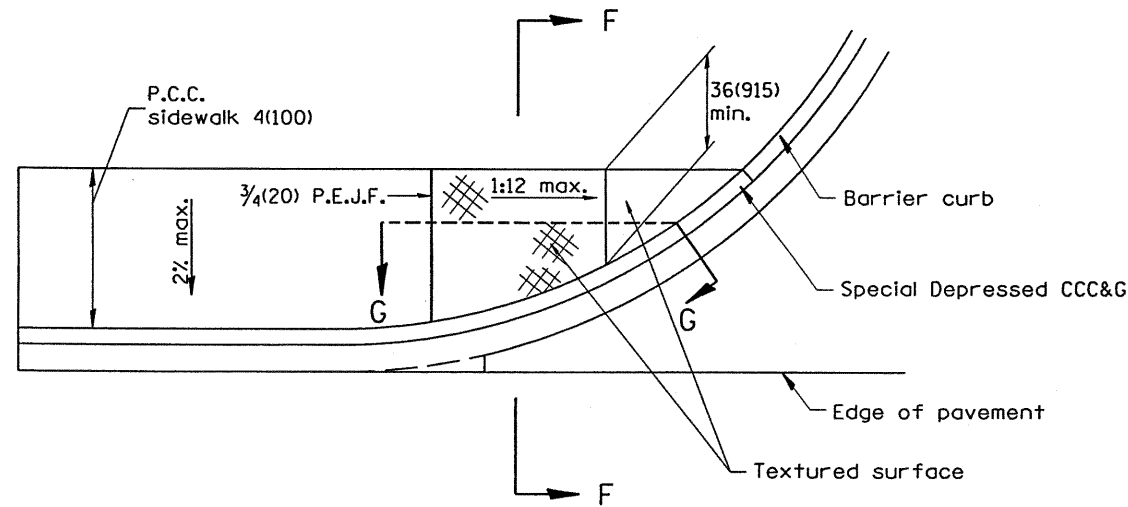
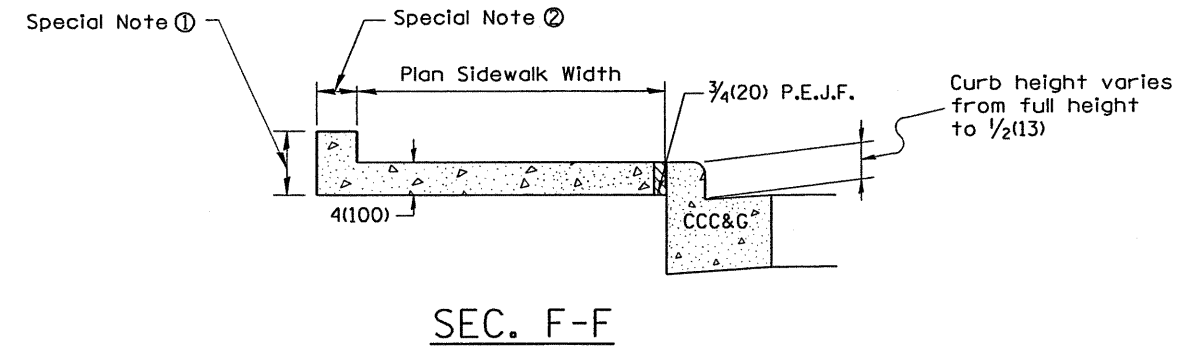
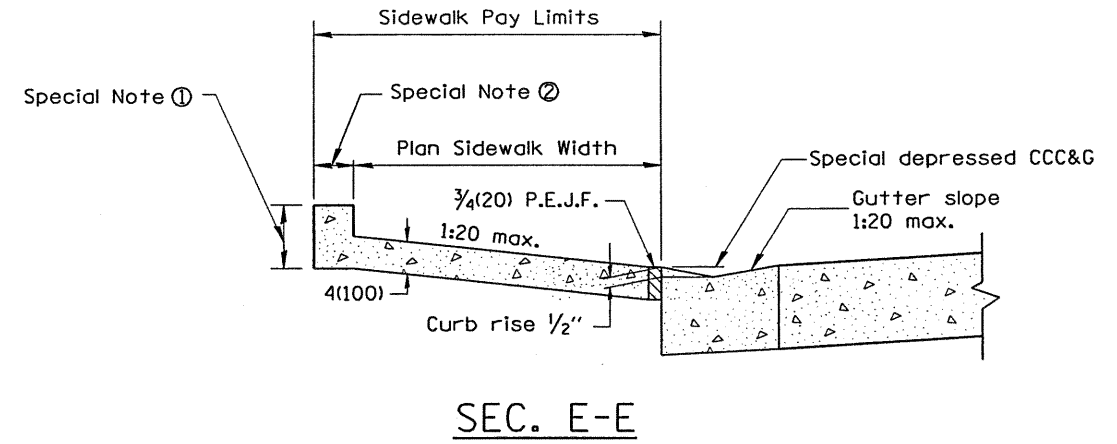
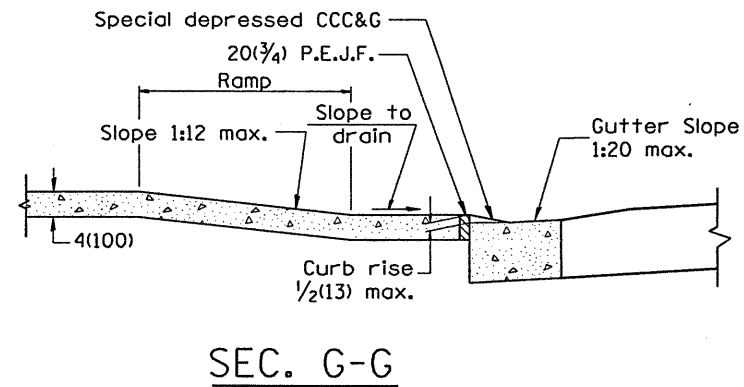


CASE 3
TYPE B DIAGONAL RAMP WITH CURBLIN SIDEWALK



CASE 4
TYPE B RAMP WITH CURBLIN SIDEWALK



All dimensions are in inches (millimeters) unless otherwise noted.

STATE OF ILLINOIS DEPARTMENT OF TRANSPORTATION		SIDEWALK RAMPS, ACCESSIBLE TO THE DISABLED		F.A. RTE.		SECTION		COUNTY		TOTAL SHEETS		SHEET NO.	
		NOT TO SCALE		SHT. 2 OF 2		00-P4002-03-BT		PEORIA		53		33	
				CADD STD. 424001-D4								CONTRACT NO. 89307	
						ILLINOIS		FED. AID PROJECT					