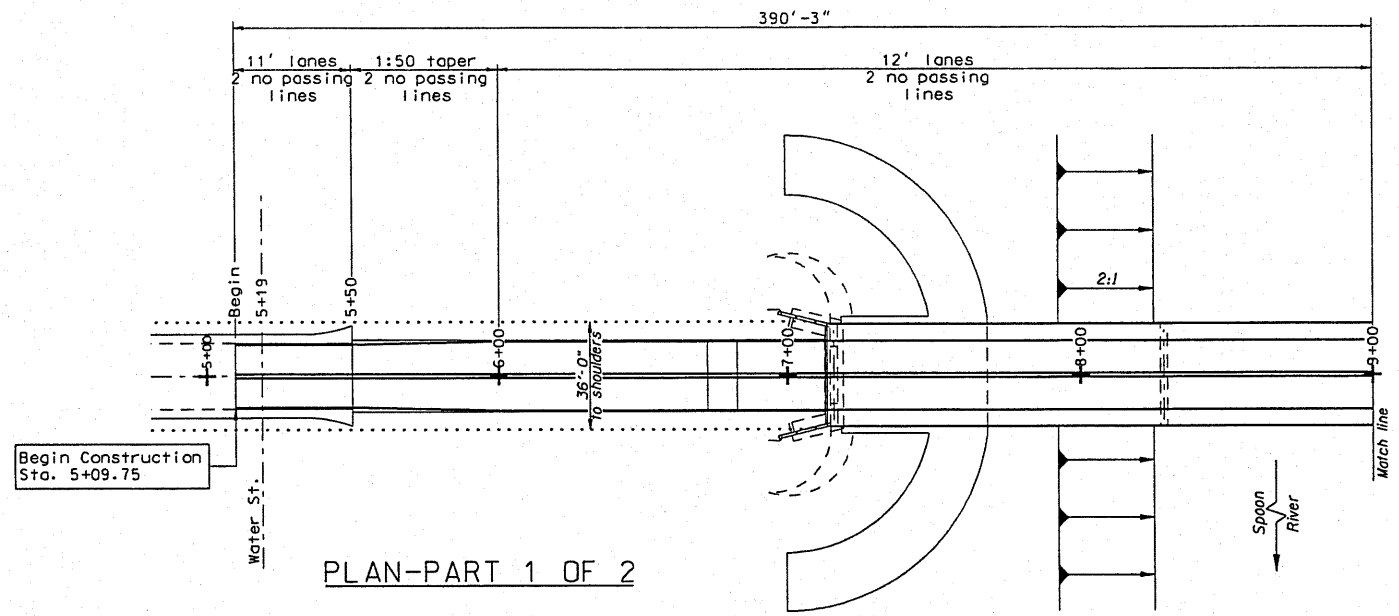
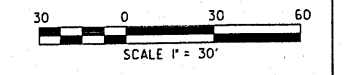
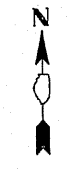
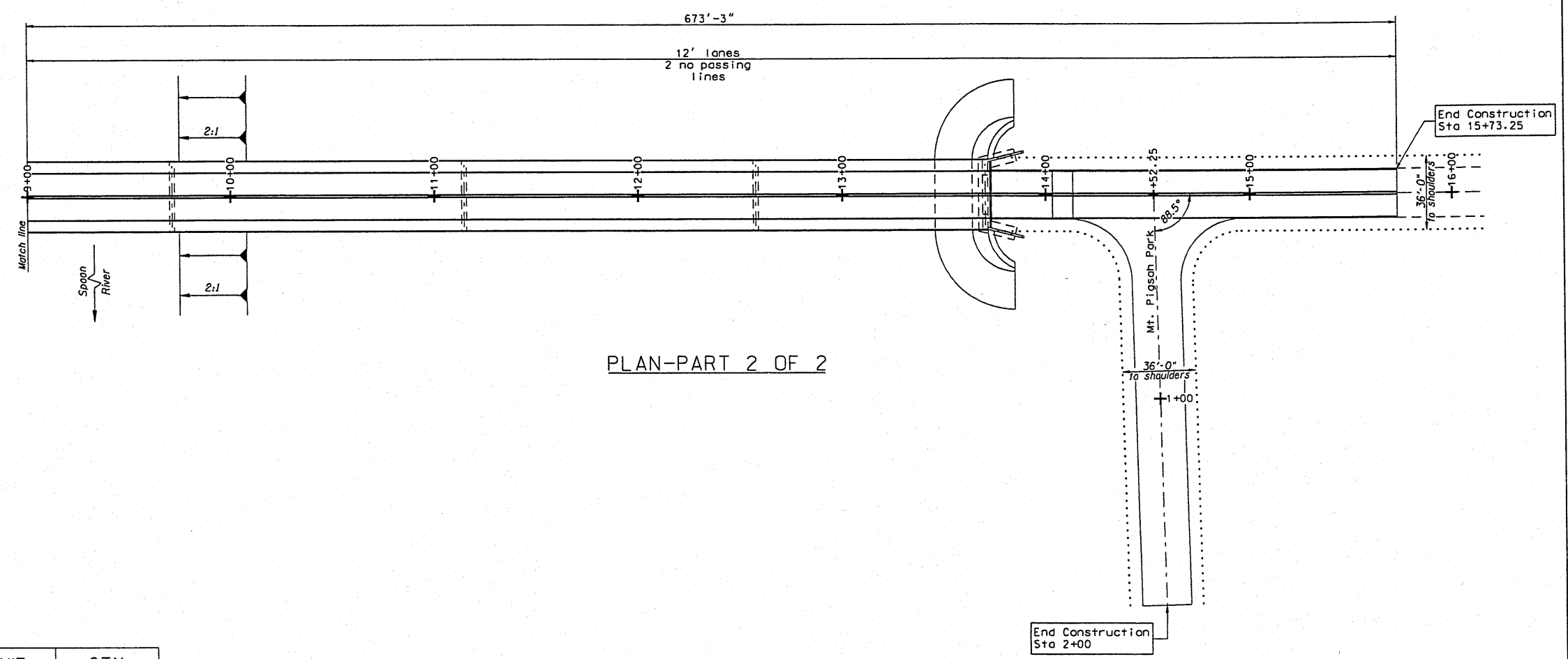


CONTRACT #89498

| | | | | |
|-----------------------|----------|------------------|------------------|-----------|
| ROUTE NO. | SECTION | COUNTY | SHEETS | SHEET NO. |
| FAS 447 | * | Fulton | 43 | 7 |
| FED. ROAD DIST. NO. 7 | ILLINOIS | FED. AID PROJECT | # 08-00121-01-BR | |



PLAN-PART 1 OF 2



PLAN-PART 2 OF 2

BILL OF MATERIAL

| ITEM | UNIT | QTY |
|---------------------------------|------|-------|
| Paint Pavement Marking, Line 4" | Foot | 4,254 |